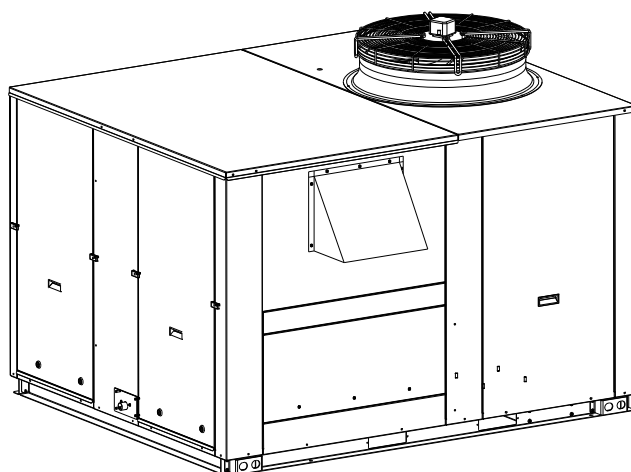




BY JOHNSON CONTROLS

Fixed outdoor air intake for ROOF TOP ACTIVA 017/040



Options and Accessories, Installation manual

Ref.: N-40397_EN 0911



Index

1	Fixed outdoor air intake for ROOF TOP ACTIVA 017/040.....	1
1.1	General information.....	2
1.2	Installation.....	2

1

**Fixed outdoor air intake for ROOF TOP
ACTIVA 017/040**

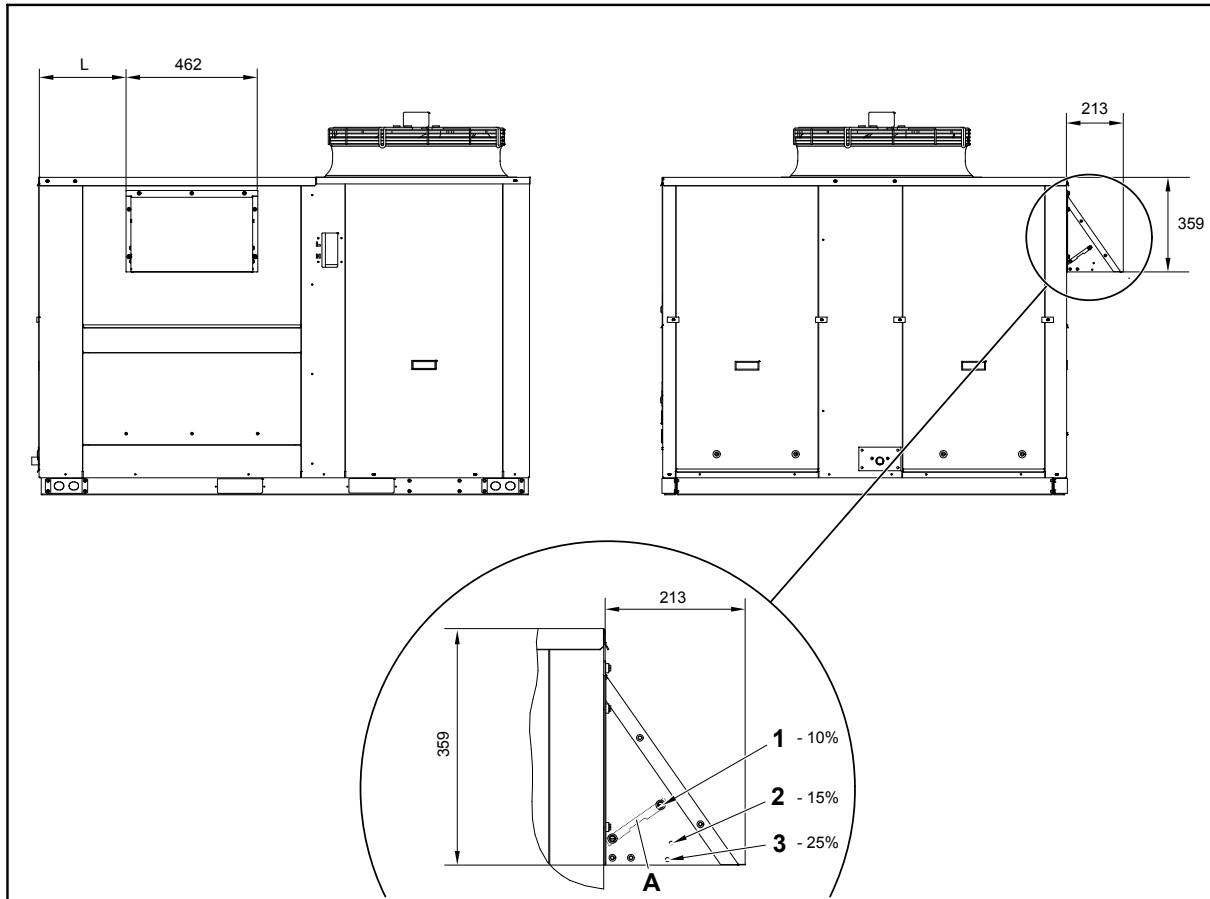
1.1 General information

1.1 General information

Fixed outdoor air intake on equipment not fitted with economiser or motorised damper accessory.

For transport reasons it is supplied pre-assembled, ready for being installed on site on the outdoor air opening on the side of the Roof Top unit.

1.2 Installation



A. Indoor damper.

Model	L
017 / 022	350
032 / 040	475

1. Remove and dispose of the original outdoor air side cover of the Roof Top.



ATTENTION

Dispose of the components in the appropriate places or take them to an appropriate collection centre. Respect the regulations in force for this type of waste in the country where the unit is being installed.

2. Place the air intake assembly on the side opening and fix it, from the inside, on the same points as the original cover.



NOTE

The attachment must be done with screws with seal washers.

3. Adjust the position of the indoor damper according to the desired percentage of renewal air flow rate.
 - Position -1- allows approximately 10%.
 - Position -2- allows approximately 15%.
 - Position -3- allows approximately 25%.