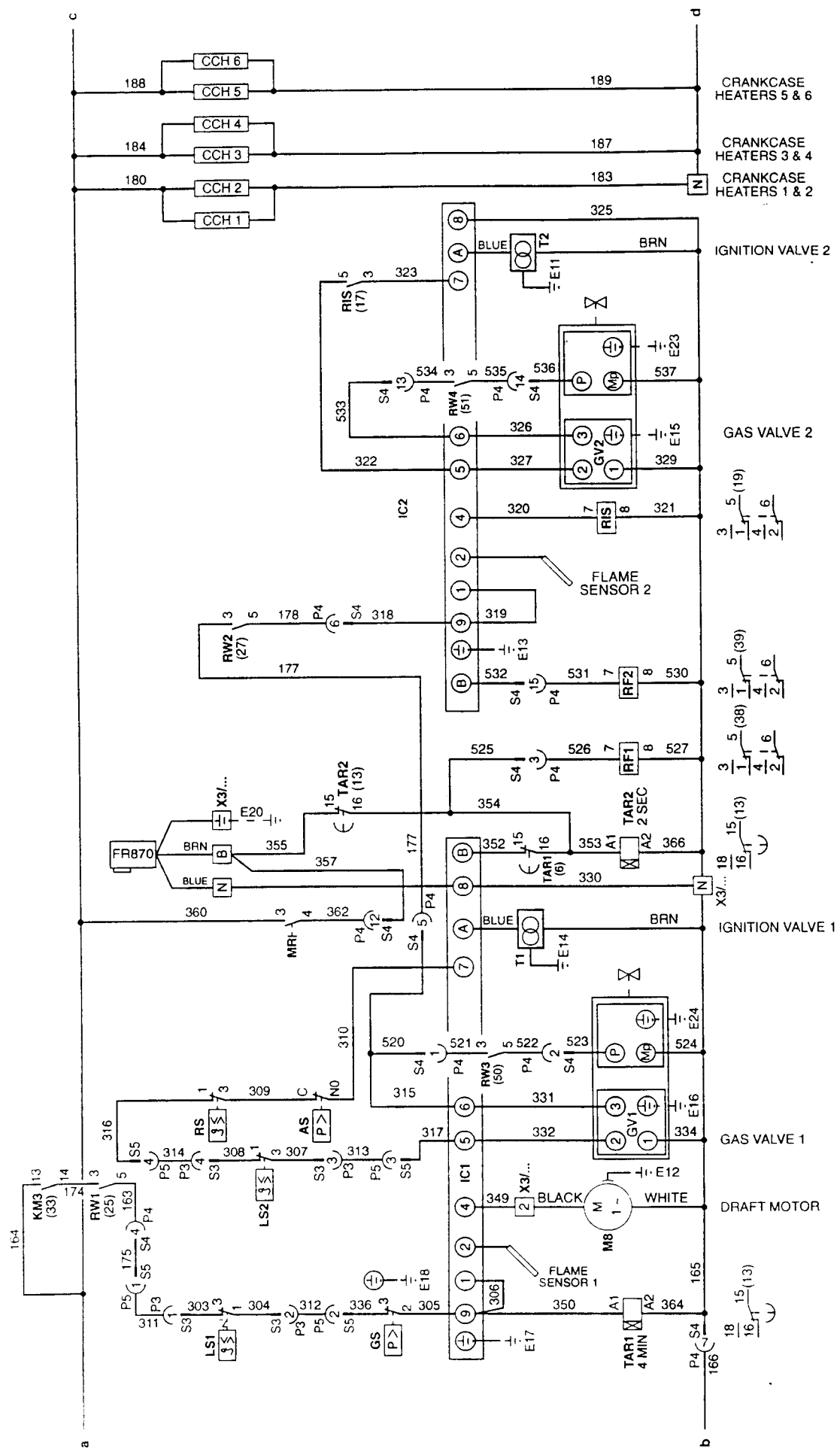


(01) (02) (03) (04) (05) (06) (07) (08) (09) 1 2 3

REFER TO THE ELECTRICAL DATA TABLE TO SIZE THE POWER WIRING AND CIRCUIT BREAKER

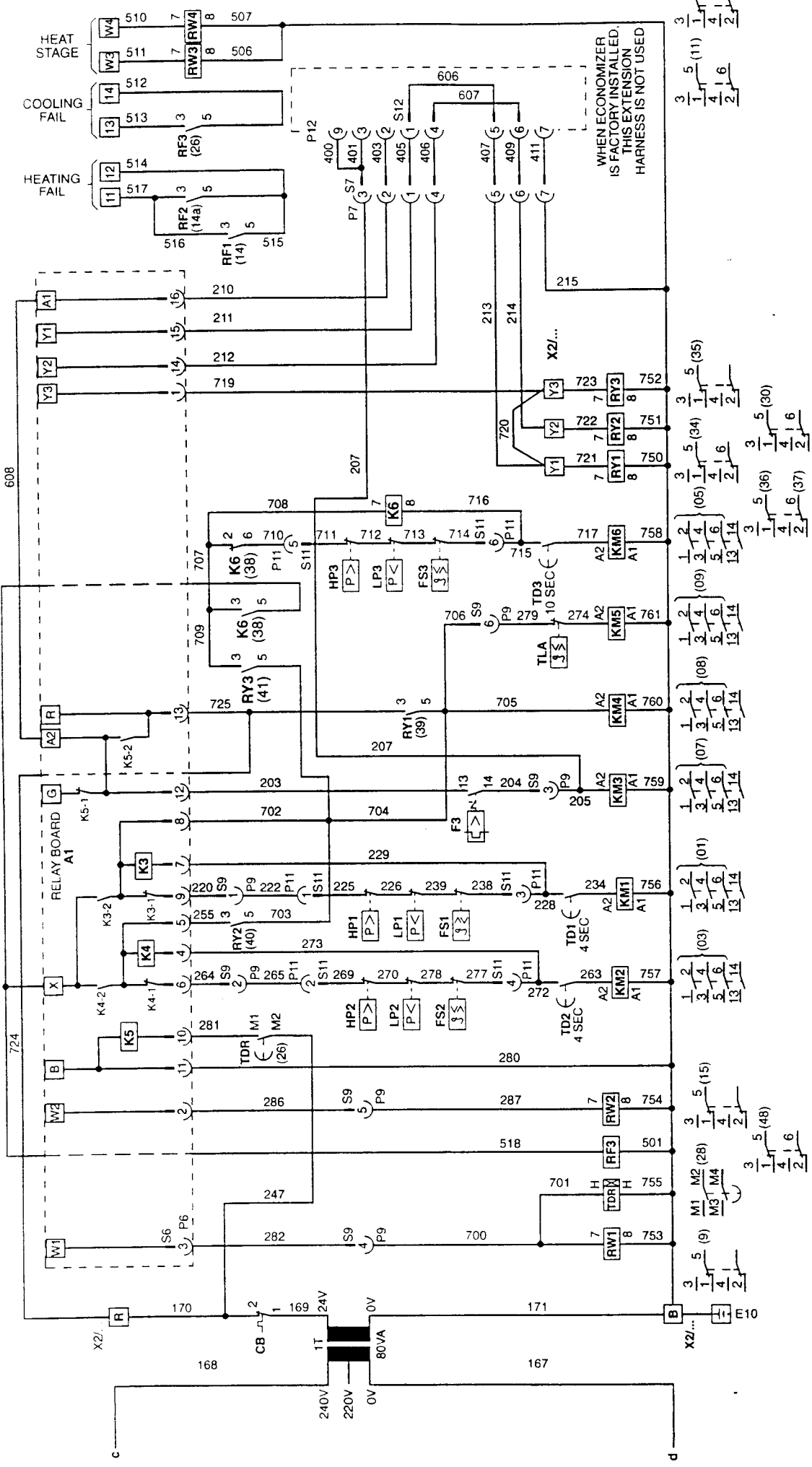
COMPRESSOR 1 COMPRESSOR 2 COMPRESSOR 3 COMPRESSOR 4 COMPRESSOR 5 COMPRESSOR 6 ID BLOWER OD FAN 1 OD FAN 2

6 7 8 9 10 11 12 13 14 14a 15 16 17 18 19 20 21 22

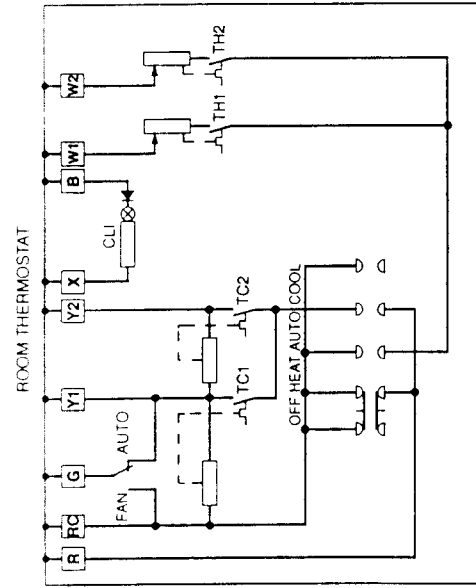


I-1817-2/a (2 of 4) ESP  
D21G300N32050

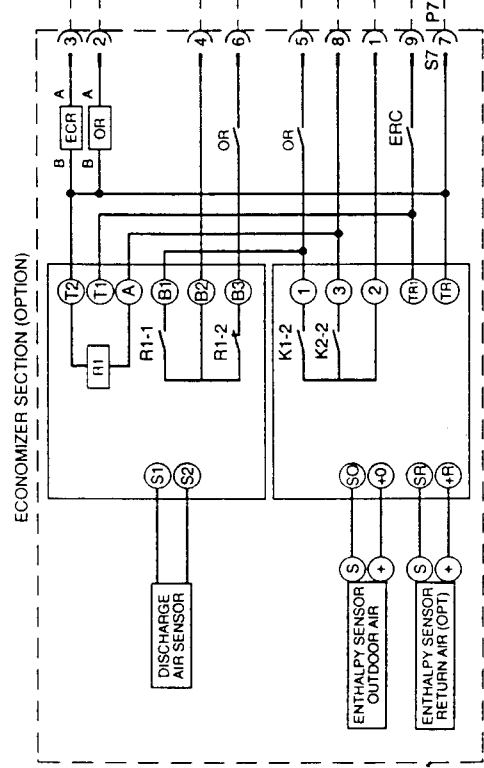
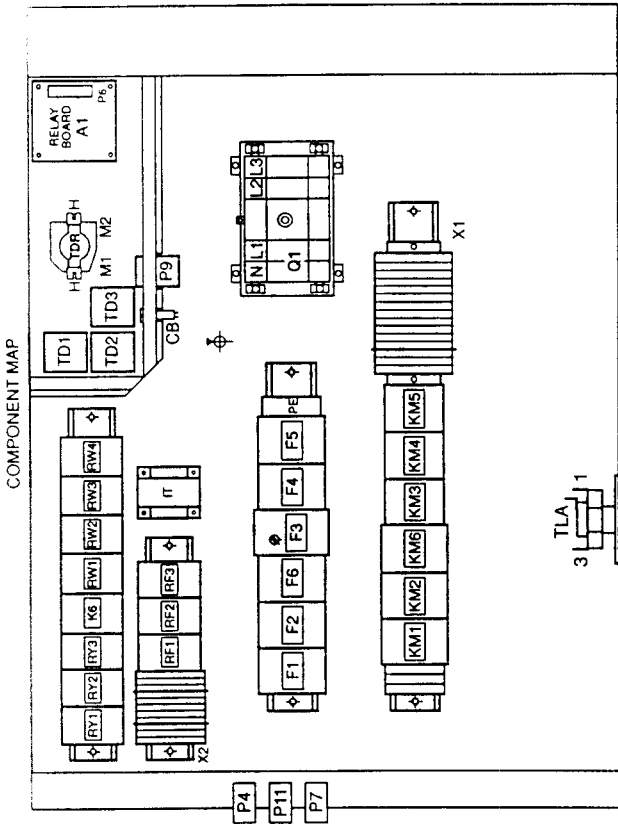
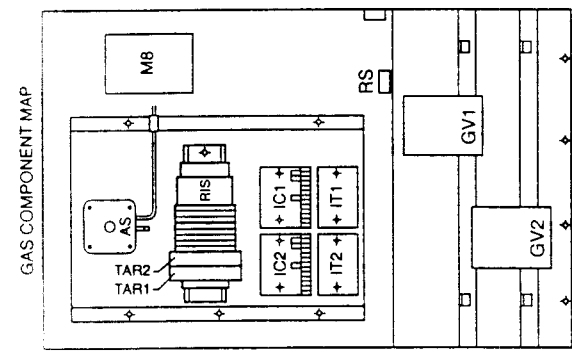
23 24 25 26 27 28 29 30 31 32 33 34 35 36 37 38 39 40 41 42 43 44 45 46 47 48 49 50 51



I-1817-3(a) (3 of 4) ESP  
D2IG300N32050



UNIT WIRED FOR 66% CAPACITY 1st STAGE,  
 33% 2nd STAGE COOLING. FOR 33% 1st AND  
 66% 2nd STAGE MOVE JUMPER 720 FROM Y1 TO Y2.  
 FOR 3rd STAGE COOLING REMOVE WIRE 720.



- IT - TRANSFORMER 24 VAC SEC
- A1 - RELAY BOARD THERMOSTAT 24 VAC
- AS - SWITCH, AIR PRESSURE
- CB - CIRCUIT BREAKER 24 VAC
- CCH1 - 6 - CRANKCASE HEATER
- CL1 - COMPRESSOR LOCKOUT INDICATOR LIGHT
- F1, F2 AND F6 - CIRCUIT BREAKER, COMPRESSOR
- F3 - CIRCUIT BREAKER, ID BLOWER
- F4 - CIRCUIT BREAKER, 220 VAC
- F5 - CIRCUIT BREAKER, 220 VAC
- FS1, FS2 AND FS3 LOW EVAP. TEMPERATURE
- GS - SWITCH, GAS PRESSURE
- HP1, HP2 AND HP3 - HIGH PRESSURE CONTROL
- K6 - RELAY, COMP. 5 AND 6 LOCKOUT
- KM1, KM2 AND KM6 - CONTACTOR, COMPRESSOR
- KM3 - CONTACTOR, ID BLOWER
- KM4 - CONTACTOR, OD FAN 1
- KM5 - CONTACTOR, OD FAN 2
- LP1, LP2 AND LP3 - LOW PRESSURE CONTROL
- LS1 - LIMIT SWITCH, MANUAL RESET
- LS2 - LIMIT SWITCH, AUTO RESET
- OR - OCCUPIED RELAY
- P3/S3, P5/S5 - CONNECTION GAS LIMIT SWITCH
- P4/S4 - CONNECTION GAS CONTROL
- P6/S6 - CONNECTION RELAY BOARD 24 VAC
- P7/S7, P12/S12 - CONNECTION ECONOMIZER CONTROL
- P9/S9 - CONNECTION 24 VAC PARTITION
- P11/S11 - CONNECTION SAFETY COMPRESSOR
- PE - EARTH
- Q1 - POWER DISCONNECT SWITCH
- RF1 AND RF2 - HEATING FAIL
- RF3 - COOLING FAIL
- RIS - RELAY IGNITION SEQUENCE
- RS - BURNER ASSEMBLY HEATSTAT
- RW1, RW2, RW3 AND RW4 - RELAY STAGE HEAT
- RY1, RY2 AND RY3 - RELAY COOLING
- TAR1 - TIME DELAY RELAY GAS RESET 4 MIN
- TAR2 - TIME DELAY RELAY GAS RESET 2 SEC.
- TD1 AND TD2 - TIME DELAY ON MAKE 4 SEC
- TD3 - TIME DELAY ON MAKE 10 SEC
- TDR - TIME DELAY RELAY
- X1 - TERMINAL BLOCK, HIGH VOLTAGE
- X2 - TERMINAL BLOCK, 24 VAC.