

Bulletin USG

A-2004-17-DPC-1R on large splits with ROlon board

June 01st, 2004

Distribution list: List A+B+C

List A : Confidential : for the attention of the sales managers and authorized people Bulletin would include : TP, strategic information, sale information, marketing information
List B : Sales information, for the attention of the sales people. Bulletin would include : sales arguments, commercial and technical documentation, information on range
List C : Technical information : for the attention of the technical support and service people, Bulletin would include : technical documentation, information on range modifications;
technical information

CFI : Ghislain BOURREE; Philippe GERY; Guti FRANCO; Maribel ROSES; Susana. Ferrada; Pedro Herrero; Eduardo GARCIA; Emilio SANS; Annabelle THERON; Jordi ROSELL; Eduardo SOLAS; Roman LARRODA; Almacen_Expediciones; Xavier_Perise; Lluís Albaiges

Dear colleagues,

From June 01st, 2004, all large split units sent from CLRY will be supplied with DPC-1R thermostat. This modification will not be done in relation to serial number.

- Price: Unchanged
- Remote sensor: use the RS-1 detailed in the catalogue 2004 and the bulletin A-2004-14
- Code: Unchanged. In order to see from the warehouse the type of thermostat supplied, an additional sticker will be added on the plastic packaging as follow



Conclusion:

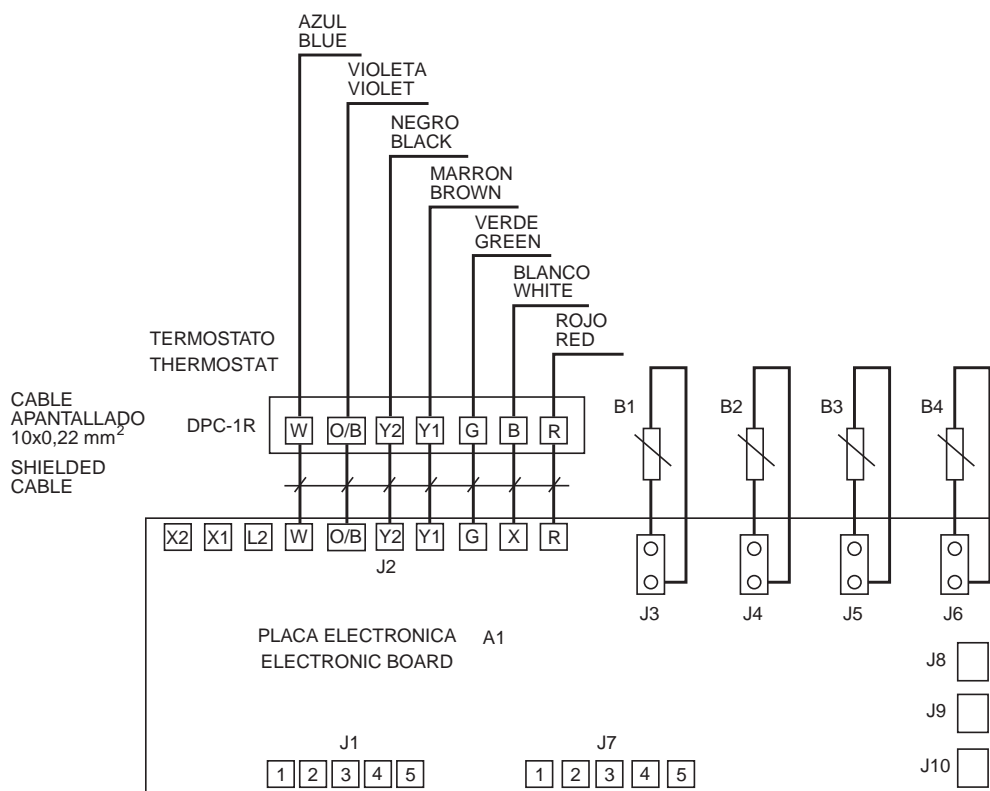
You will received for the same price a **programmable** thermostat (without communication because connected to a ROlon board)

In order to harmonized customer orders requesting for different units sizes, you may need to provide the same thermostat. For this purpose, I joined page 3 the detail of dipswitch settings of ROlon board and DPC-1R thermostat. Without previous agreement with CLRY, the incorporation of DPC-1R on different units that indicated here above will be done by YORK entities.

Best Regards

Air Systems Product Manager
Robert CARRE

Conexiones eléctricas estandar termostato DPC-1R (para termostato con relés)
 Standard electric connections, thermostat DPC-1R (for thermostat with relays)



Dip switch setting of ROlon board and thermostat DPC-1R

	ROlon (S1)	DPC-1R
RTC ... B or BG		
RTH ... B or BG		
SOC 76, 90 & 120 C, H or I		
SOH 76, 90 & 120 C, H or I		
SOC150, 180 C or H SOC240 C, D, H or I		
SOH150, 180 C or H SOH240 C, D, H or I		
SCOC76 & 90 B, C, G or H		
SCOH70, 76, 90 & 120 B, C, G or H		
SCOC150 & 180 B, C, G or H		
SCOH150, 180, 240 & 300 B, C, G or H		

- Dip switch in ON position
- Dip switch in OFF position
- End user selection (see documentation TGDPC-1R)

