

REPLACEMENT PARTS

Supersedes: Nothing

e 530.18-RP6.6YI (696)

NOTE: FOR STYLE "B" & "C" MODELS SEE PAGE 6.

1 of 8

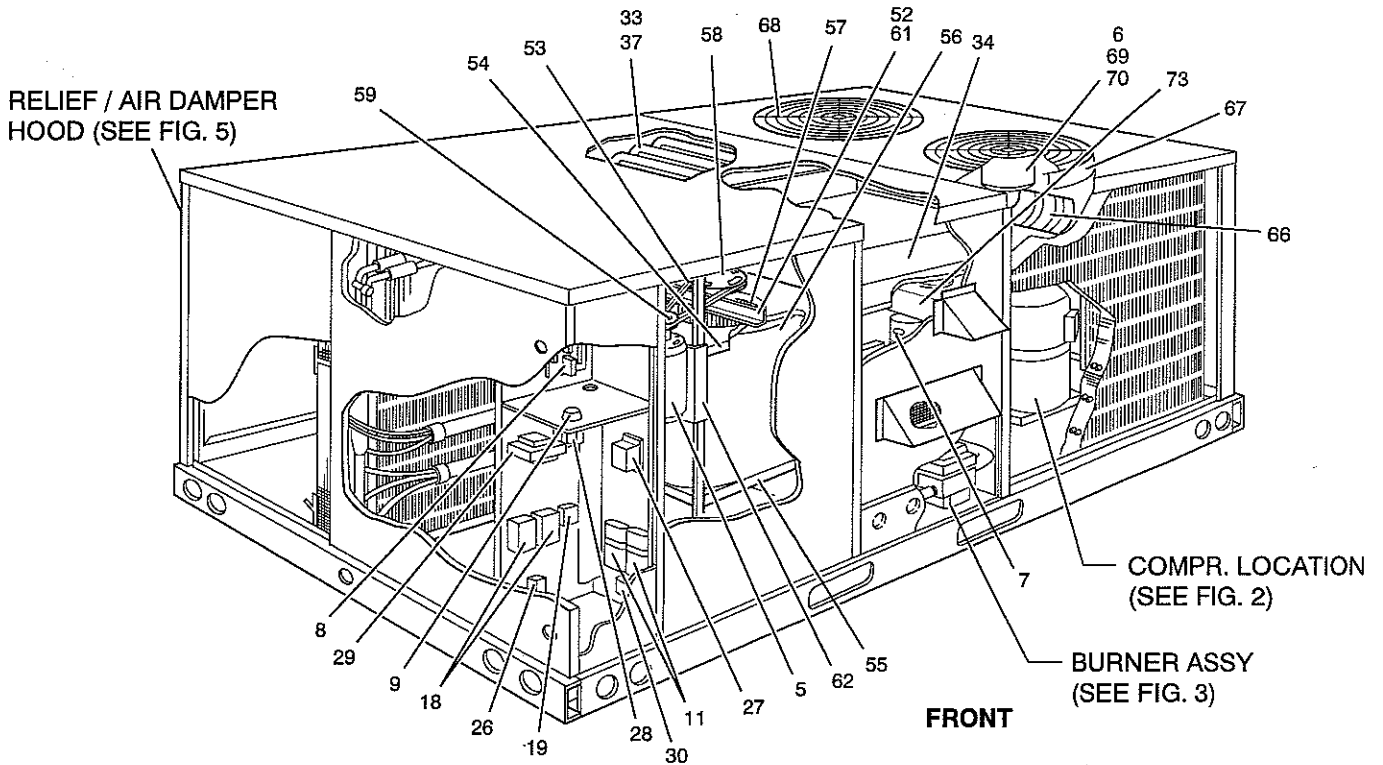


FIG. 1 – SINGLE PACKAGE GAS / ELECTRIC UNIT

COMPRESSORS

| FIG | ITEM | DESCRIPTION | D3CG120N16550A |
|-----|------|----------------------------------|----------------|
| | | | 5-BURNER |
| 2 | (1) | COMPR., HERMETIC (2-REQ'D) | 015-02594-705 |
| 2 | 2 | ISOLATOR, COMPRESSOR (8-REQ'D) | 028-07772-000 |
| | 3 | SPACE FOR FUTURE PARTS ADDITIONS | |
| | 4 | SEE STYLE "B" | |

MOTORS

| | | | |
|---|-----|------------------------|---------------|
| 1 | (5) | MOTOR, BLOWER (2.0 HP) | 024-19623-023 |
| 1 | (6) | MOTOR, FAN (2-REQ'D) | 024-25334-700 |
| 1 | (7) | MOTOR, VENTOR (1) | 024-24115-009 |

ELECTRICAL

| | | | |
|---|------|------------------------------|------------------------|
| 1 | 8 | BOARD, CIRCUIT | 031-00652-700 |
| 1 | 9 | BREAKER, CIRCUIT | [CB] 024-24055-000 |
| * | 10 | BOOT RUBBER CAPACITOR | 028-04133-000 |
| 1 | (11) | CAPACITOR, RUN (7.5MFD/370V) | [1,2,RC] 024-20045-700 |
| * | 12 | CONNECTOR, CAP (3-CIRCUIT) | 025-21193-000 |
| * | 13 | CONNECTOR, CAP (6-CIRCUIT) | 025-20963-000 |
| * | 14 | CONNECTOR, CAP (9-CIRCUIT) | 025-21191-000 |

* NOT SHOWN

(1) INCLUDES CENTRIFUGAL SWITCH.

Major components and suggested stocking items are shown with item number in parenthesis "()".

ELECTRICAL (Cont.)

| FIG | ITEM | DESCRIPTION | D3CG120N16550A |
|-----|------|--------------------------------------|----------------|
| | | | 5-BURNER |
| * | 15 | CONNECTOR, PLUG (3-CIRCUIT) | 025-19671-000 |
| * | 16 | CONNECTOR, PLUG (6-CIRCUIT) | 025-19670-000 |
| * | 17 | CONNECTOR, PLUG (9-CIRCUIT) | 025-21192-000 |
| 1 | (18) | CONTACTOR (2-REQ'D) [1,2M] | 024-18056-702 |
| 1 | (19) | CONTACTOR [3M] | 024-25838-700 |
| * | 20 | CONTACT, SOCKET (3) | 025-25586-000 |
| * | 21 | CONTACT, SOCKET (4) | 025-19673-000 |
| * | (22) | CONTROL, PRESSURE | 025-17620-725 |
| * | (23) | CONTROL, TEMPERATURE (2) [FS 1,2] | 025-27727-001 |
| * | 24 | HOUSING, SINGLE LEAF (16-CIRCUIT) | 025-26364-000 |
| * | 25 | LABEL, WIRING (REFERENCE) | 035-12483-000 |
| 1 | 26 | LUG, GROUND | 025-18094-000 |
| 1 | (27) | RELAY, CONTROL [DMR] | 024-21678-700 |
| 1 | (28) | RELAY, CONTROL (HEAT SEQUENCE) [TDR] | 024-19082-028 |
| 1 | (29) | TRANSFORMER [1T] | 025-30728-700 |
| 1 | 30 | TERMINAL BLOCK | 025-30727-000 |
| | 31 | SPACE FOR FUTURE PARTS ADDITIONS | |

GAS HEAT SECTION

| | | | |
|---|----|------------------------------------------|---------------|
| * | 32 | BAFFLE, AIR (PLATE) | 063-92587-000 |
| 1 | 33 | BAFFLE, AIR (HEAT EXCH. TUBE) 1 PER TUBE | 063-90071-000 |
| 1 | 34 | BOX, FLUE (TOP & FRONT) | 063-89949-000 |
| 3 | 35 | BURNER, GAS (5-REQ'D) | 029-18431-000 |
| 3 | 36 | CROSSOVER, GAS | 073-07782-002 |
| 1 | 37 | HEAT EXCHANGER | 363-90016-003 |
| 3 | 38 | MANIFOLD, GAS | 029-20073-000 |
| * | 39 | SUPPORT, BURNER (FRONT ANGLE BRACE) | 063-92490-000 |
| 3 | 40 | SUPPORT, BURNER (L/H SIDE & REAR) | 063-90005-002 |
| 3 | 41 | SUPPORT, BURNER (R/H SIDE) | 063-92594-000 |
| 3 | 42 | ORIFICE, GAS BURNER #32 (5-REQ'D) | 029-20423-032 |
| 3 | 43 | ORIFICE, GAS PILOT #56 | 029-20422-056 |
| | 44 | SPACE FOR FUTURE PARTS ADDITIONS | |

*Dec 05
703*

GAS/ELECT. CONTROLS

| | | | |
|---|------|----------------------------------|---------------|
| * | 45 | CONTROL, TEMPERATURE (LIMIT) | 025-26366-003 |
| * | 46 | CONTROL, TEMPERATURE (ROLLOUT) | 025-26392-003 |
| * | (47) | MODULE, IGNITION CONTROL [IC] | 025-29012-700 |
| 3 | (48) | IGNITOR, SPARK | 025-29010-000 |
| 3 | (49) | SENSOR, FLAME | 025-29011-000 |
| 3 | (50) | VALVE, GAS (WHITE RODGERS) | 025-26373-700 |
| | 51 | SPACE FOR FUTURE PARTS ADDITIONS | |

AIR MOVING (BLOWER)

| | | | |
|---|----|----------------------------------------|---------------|
| 1 | 52 | BEARING, BALL (PILLOW BLOCK) (2-REQ'D) | 029-20424-700 |
| 1 | 53 | BELT, "V" (BX54) | 028-12063-700 |
| 1 | 54 | PLATE, HOUSING (TOP) | 063-89998-000 |
| 1 | 55 | PLATE, HOUSING (BOTTOM) | 063-89999-000 |
| 1 | 56 | HOUSING, BLOWER W / O WHEEL | 063-89951-000 |
| 1 | 57 | WHEEL, BLOWER | 026-25529-002 |
| 1 | 58 | PULLEY, FIXED (BLOWER) | 028-12364-700 |

* NOT SHOWN

- (2) USE HEAT CONDUCTIVE COMPOUND 013-02250-000 WHEN APPLYING CONTROL TO SUCTION LINE.
- (3) USE HAND TOOL #044-02998-700 WHEN APPLYING CONTACT.
- (4) USE HAND TOOL #044-02999-700 WHEN APPLYING CONTACT.

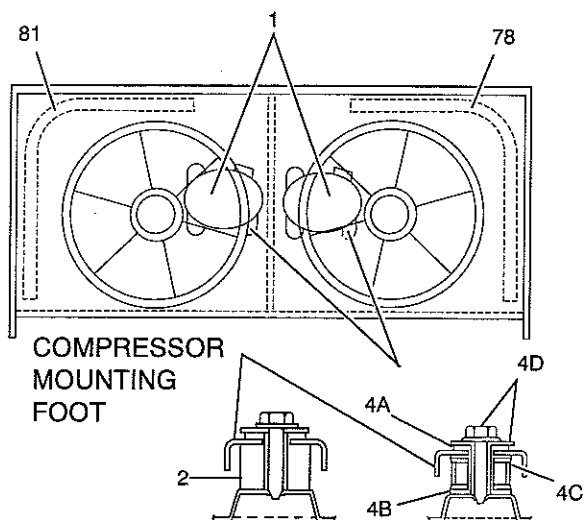


FIG. 2 - COMPRESSOR & COIL SECTION

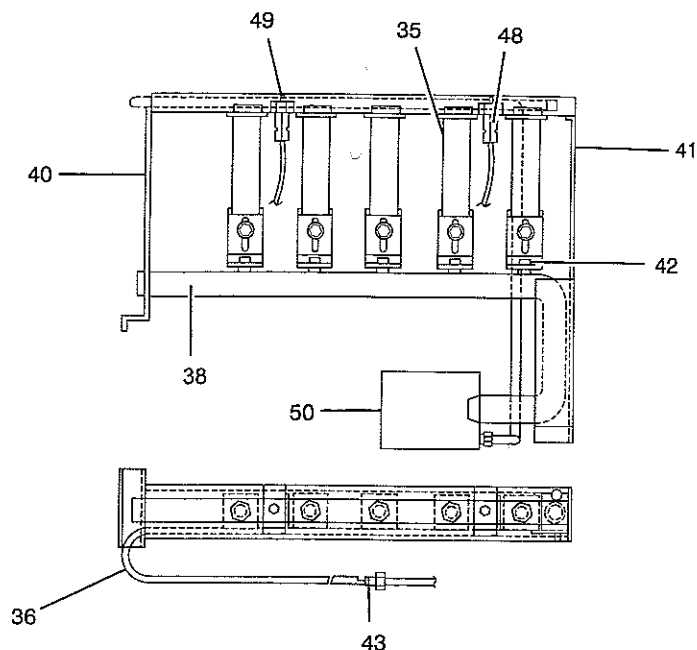


FIG. 3 - BURNER ASS'Y

AIR MOVING (BLOWER) (Cont.)

| FIG | ITEM | DESCRIPTION | D3CG120N16550A |
|-----|------|------------------------------------------|---------------------------|
| 1 | 59 | PULLEY, VARIABLE (MOTOR) | 5-BURNER 028-04807-700 |
| * | 60 | SHAFT, BLOWER | 001-07115-000 |
| 1 | 61 | SUPPORT, BEARING (2-REQ'D) | 063-89950-000 |
| 1 | 62 | SUPPORT, MOTOR | 063-89938-000 |
| * | 63 | KEY, STEEL 1/4 SQ X 2" LG (FIXED PULLEY) | 001-07110-005 |
| * | 64 | KEY, STEEL 1/4 SQ X 6-3/8" LG (WHEEL) | 001-07110-004 |
| | 65 | SPACE FOR FUTURE PARTS ADDITIONS | |

AIR MOVING (COND. FAN)

| | | | |
|---|------|-------------------------------------|---------------|
| 1 | (66) | BLADE, FAN (2-REQ'D) | 026-32169-000 |
| 1 | 67 | ORIFICE, FAN (2-REQ'D) | 063-89756-000 |
| 1 | 68 | GUARD, FAN (2-REQ'D) | 026-25528-000 |
| 1 | 69 | NUTS, ACORN (MOTOR MTG.) (BAG OF 4) | 363-90117-000 |
| 1 | 70 | PLUG, ELECTRICAL HARNESS (2-REQ'D) | 025-26387-003 |
| * | 71 | CHANNEL, WIRE GUARD (2-REQ'D) | 063-93734-000 |

AIR MOVING (VENTOR)

| | | | |
|---|----|-----------------------------------|---------------|
| * | 72 | VARISTOR (VENTOR MOTOR PROTECTOR) | 025-30145-000 |
| 1 | 73 | HOUSING, VENTOR (W / O WHEEL) | 063-90041-000 |
| * | 74 | PLATE, VENTOR ORIFICE | 063-90038-015 |
| * | 75 | PLATE, VENTOR HOUSING | 063-90037-000 |
| 4 | 76 | SPACER, VENTOR MOTOR (4-REQ'D) | 063-92626-000 |
| * | 77 | WHEEL, VENTOR BLOWER | 026-25530-001 |

* NOT SHOWN

REFRIGERANT

| FIG | ITEM | DESCRIPTION | D3CG120N16550A |
|-----|------|------------------------------------------|----------------|
| | | | 5-BURNER |
| 2 | 78 | COIL, COND. (FRONT FORMED, SYSTEM 1) (5) | 363-94985-700 |
| * | 79 | HEADER (LIQUID, SYSTEM 1) | 363-94985-020 |
| * | 80 | HEADER (DISCHARGE, SYSTEM 1) | 363-94986-030 |
| 2 | 81 | COIL, COND. (REAR FORMED, SYSTEM 2) (5) | 363-94986-700 |
| * | 82 | HEADER (LIQUID, SYSTEM 2) | 363-94986-020 |
| * | 83 | HEADER (DISCHARGE, SYSTEM 2) | 363-94986-030 |
| 4 | 84 | COIL, EVAPORATOR (SYSTEM 1 & 2) (6) | 373-03332-701 |
| * | 85 | HEADER, SUCTION (SYSTEM 1) | 373-03332-730 |
| * | 86 | HEADER, SUCTION (SYSTEM 2) | 373-03332-740 |
| * | 87 | VALVE, CORE | 022-02475-000 |
| * | 88 | CAP, FLARE | 023-11018-000 |
| * | 89 | STEM, VALVE (1/4 OD TUBE) | 022-08017-000 |
| 4 | 90 | STRAINER, DRIER (2-REQ'D) | 029-17738-000 |
| 4 | 91 | VALVE, DISTR. (ASSEM.) (EVAP.) (2-REQ'D) | 022-06844-039 |
| | 92 | SPACE FOR FUTURE PARTS ADDITIONS | |
| | 93 | SPACE FOR FUTURE PARTS ADDITIONS | |
| | 94 | SPACE FOR FUTURE PARTS ADDITIONS | |

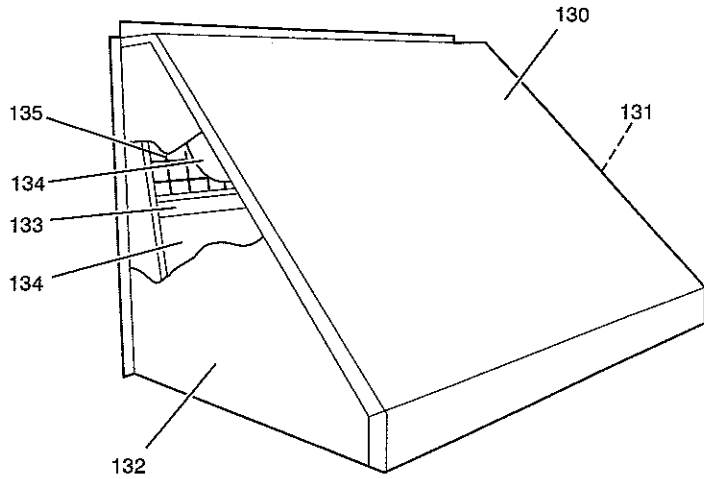
FABRICATED PARTS

| | | | |
|---|-----|---------------------------------|---------------|
| * | 95 | BRACKET, FILTER (TOP OR BOTTOM) | 029-20069-000 |
| * | 96 | BRACKET, FILTER (MIDDLE) | 029-20070-000 |
| * | 97 | COVER, DUCT (SUPPLY AIR) | 363-90060-001 |
| 4 | 98 | COVER, DUCT (OUTSIDE AIR) | 363-90060-002 |
| * | 99 | COVER, DUCT (RETURN AIR) | 363-90060-003 |
| * | 100 | COVER, DUCT (BASE HEAT SECT.) | 363-89934-000 |
| * | 101 | COVER, DUCT (BASE, EVAP.) | 363-89941-000 |
| 4 | 102 | HOOD, AIR INLET (W / O SCREEN) | 063-75440-000 |
| 4 | 103 | SCREEN, AIR INLET | 026-31402-000 |
| 4 | 104 | HOOD, FLUE OUTLET (W / SCREEN) | 363-93855-000 |
| 4 | 105 | PAN, DRAIN | 363-93501-000 |
| 4 | 106 | PANEL, CORNER (LEFT FRONT) | 363-90056-000 |
| 4 | 107 | PANEL, ACCESS (BLOWER) | 363-89927-002 |
| 4 | 108 | PANEL, ACCESS (CONTROL BOX) | 363-89937-001 |
| 4 | 109 | PANEL, ACCESS (GAS TOP) | 063-89966-002 |
| 4 | 110 | PANEL, ACCESS (GAS BOTTOM) | 063-89985-000 |
| 4 | 111 | PANEL, DUCT (REAR) | 363-90051-002 |
| 4 | 112 | PANEL, ACCESS (FILTERS) | 363-89927-002 |
| 4 | 113 | PANEL, ACCESS (COMPRESSOR) | 063-90070-002 |
| 4 | 114 | PANEL, TOP (CONDENSER) | 063-90013-000 |
| 4 | 115 | PANEL, TOP (EVAPORATOR) | 363-94624-000 |
| * | 116 | PANEL, VESTIBULE (FRONT) | 073-03138-000 |
| * | 117 | PANEL, VESTIBULE (TOP) | 063-90047-000 |
| * | 118 | PANEL, VESTIBULE (BOTTOM) | 073-03137-000 |
| 4 | 119 | POST (BLOWER SUPPORT) | 063-92560-002 |
| 4 | 120 | POST (INTERMEDIATE) | 063-89953-002 |
| 4 | 121 | POST (LEFT PARTITION SUPPORT) | 063-89973-002 |
| 4 | 122 | POST (RIGHT PARTITION SUPPORT) | 063-89987-002 |
| 4 | 123 | POST, CORNER (RIGHT FRONT) | 063-89994-002 |
| 4 | 124 | POST, CORNER (RIGHT REAR) | 063-89995-002 |
| 4 | 125 | RAIL, BASE (FRONT) | 063-90014-000 |
| 4 | 126 | RAIL, BASE (REAR) | 063-90015-000 |
| 4 | 127 | RAIL, BASE (COND. END) | 063-90011-000 |
| 4 | 128 | RAIL, BASE (EVAP. END) | 063-94720-000 |

* NOT SHOWN

(5) INCLUDES HEADERS.

(6) INCLUDES HEADERS & DISTRIBUTORS W/TUBES.



**FIG. 5 – RELIEF / FIXED AIR DAMPER HOOD ASSEMBLY
(ITEM 129)**

NOTE: **STYLE "B"** MODELS ARE THE SAME AS **STYLE "A"** EXCEPT FOR THE FOLLOWING PARTS:

| FIG | ITEM | DESCRIPTION | D3CG120N16550B |
|-----|-------|----------------------------------------|----------------|
| 2 | 2 | COMPRESSOR ISOLATOR | OMIT |
| 2 | 4A | ISOLATOR, COMPR. TOP (8-REQ'D) | 028-11969-000 |
| 2 | 4B | ISOLATOR, COMPR. BOTTOM (8-REQ'D) | 028-12357-000 |
| 2 | 4C | SPRING, MTG. COMPR. (8-REQ'D) | 029-20421-000 |
| 2 | 4D | SCREW, 5/16-18 HEX WASHER HD. W/SLEEVE | 021-17181-700 |
| * | (22A) | CONTROL, LOW PRESSURE [LP] | 025-30249-700 |
| 1 | (28) | RELAY, CONTROL (HEAT SEQUENCE) [TDR] | 024-19082-738 |

* NOT SHOWN

NOTE: **STYLE "C"** MODELS ARE THE SAME AS **STYLE "B"** EXCEPT FOR THE FOLLOWING PARTS:

| FIG | ITEM | DESCRIPTION | D3CG120N16550C |
|-----|------|--------------------------------------|----------------------|
| 1 | (7) | MOTOR, VENTOR | 024-24115-016 |
| * | 25 | LABEL, WIRING (REFERENCE) | 035-13392-000 |
| * | 45 | CONTROL, TEMP. (LIMIT) | 025-26366-008 |
| * | 46 | SWITCH, LIMIT (ROLLOUT) | 025-26392-010 |
| * | (47) | MODULE, IGNITION CONTROL [IC] | 025-29012-001 |
| 1 | (27) | RELAY, CONTROL [DMR] | 024-25910-700 |
| 1 | (28) | RELAY, CONTROL (HEAT SEQUENCE) [TDR] | 024-19082-740 |
| * | 72 | VARISTOR | OMIT |
| * | 10 | BOOT, RUBBER CAPACITOR | OMIT |
| 4 | 120 | RAIL, BASE (FRONT) | 063-90014-001 |
| 4 | 121 | RAIL, BASE (REAR) | 063-90015-001 |
| 4 | 122 | RAIL, BASE (COND. END) | 063-90011-001 |

* NOT SHOWN

New replacement parts shown in **bold face type** at the first printing of Parts List code dated 6/96.

FOR FACTORY OR FIELD INSTALLED ACCESSORIES SEE THE FOLLOWING PARTS LIST:

ACCESSORIES - ELECTRICAL

| DESCRIPTION | MODEL NO. |
|---------------------------------------|-------------|
| ANTI-RECYCLE TIMER | 2AC04700424 |
| LOW AMBIENT TO 0 DEG. F (460V & 575V) | 2LA04700846 |
| MOTORIZED OUTDOOR AIR DAMPER | 2MD04700224 |
| ELECT. ENTHALPY ECONO./SINGLE INPUT | 2EE04700324 |
| ELECT. ENTHALPY ECONO./DUAL INPUT | 2EE04700424 |
| COND. FAN MOTOR (460V & 575V MODELS) | 2CM04600551 |

ACCESSORIES - NON-ELECTRICAL

| DESCRIPTION | MODEL NO. |
|-----------------------------|-----------|
| RELIEF/FIXED AIR DAMPER | 1RF0401 |
| PROPANE CONVERSION KIT | 1NP0421 |
| HIGH ALTITUDE (NATURAL GAS) | 1HA0412 |
| HIGH ALTITUDE (PROPANE) | 1HA0413 |

NOTES



Heating and Air Conditioning

Unitary Products Group
P.O. Box 1592, York, Pennsylvania USA 17405-1592
Subject to change without notice. Printed in U.S.A.
Copyright © by York International Corporation 1996. All rights reserved.

RPC 1M 696 .44

CODE: RBYE

530.18-RP6.6YI

