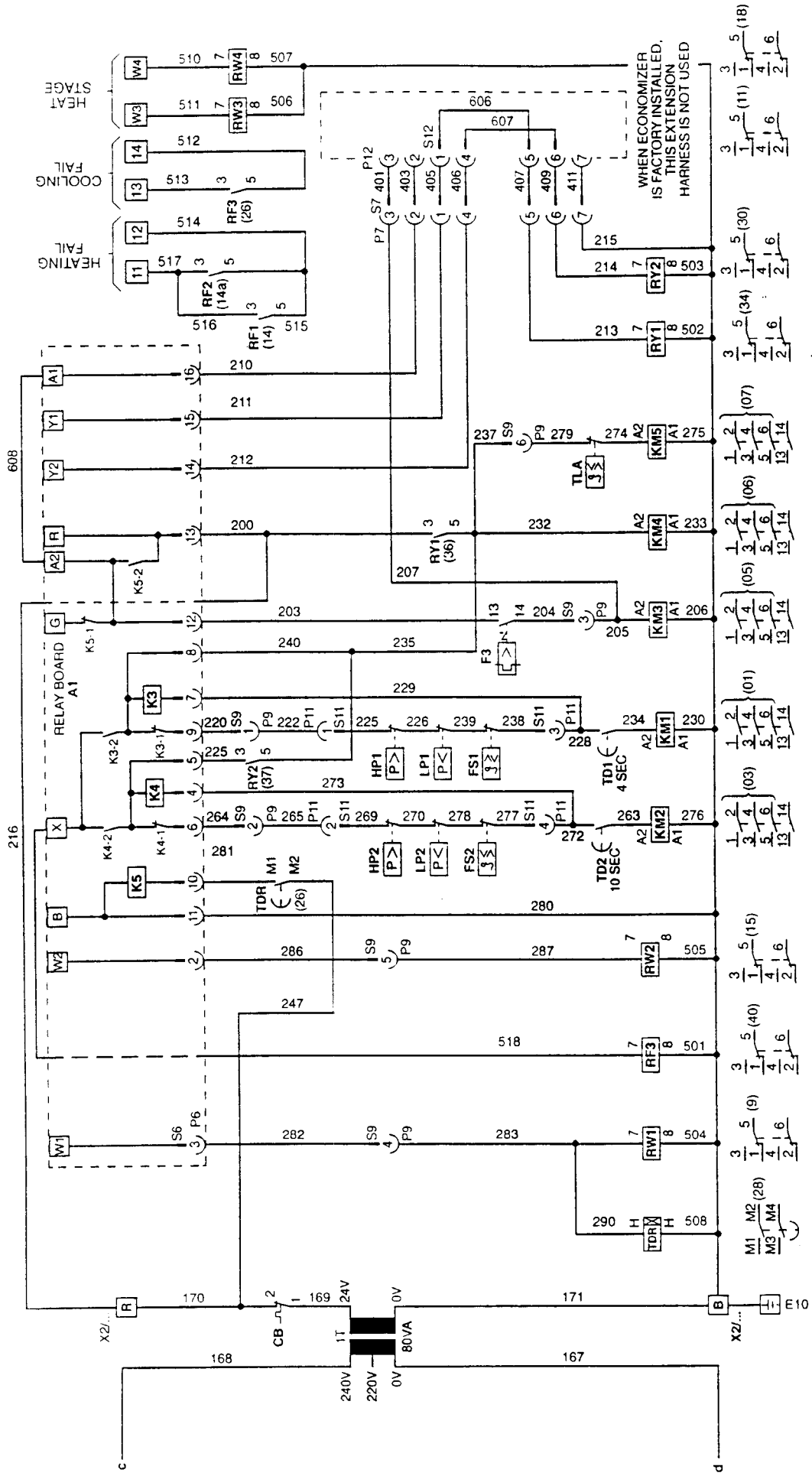


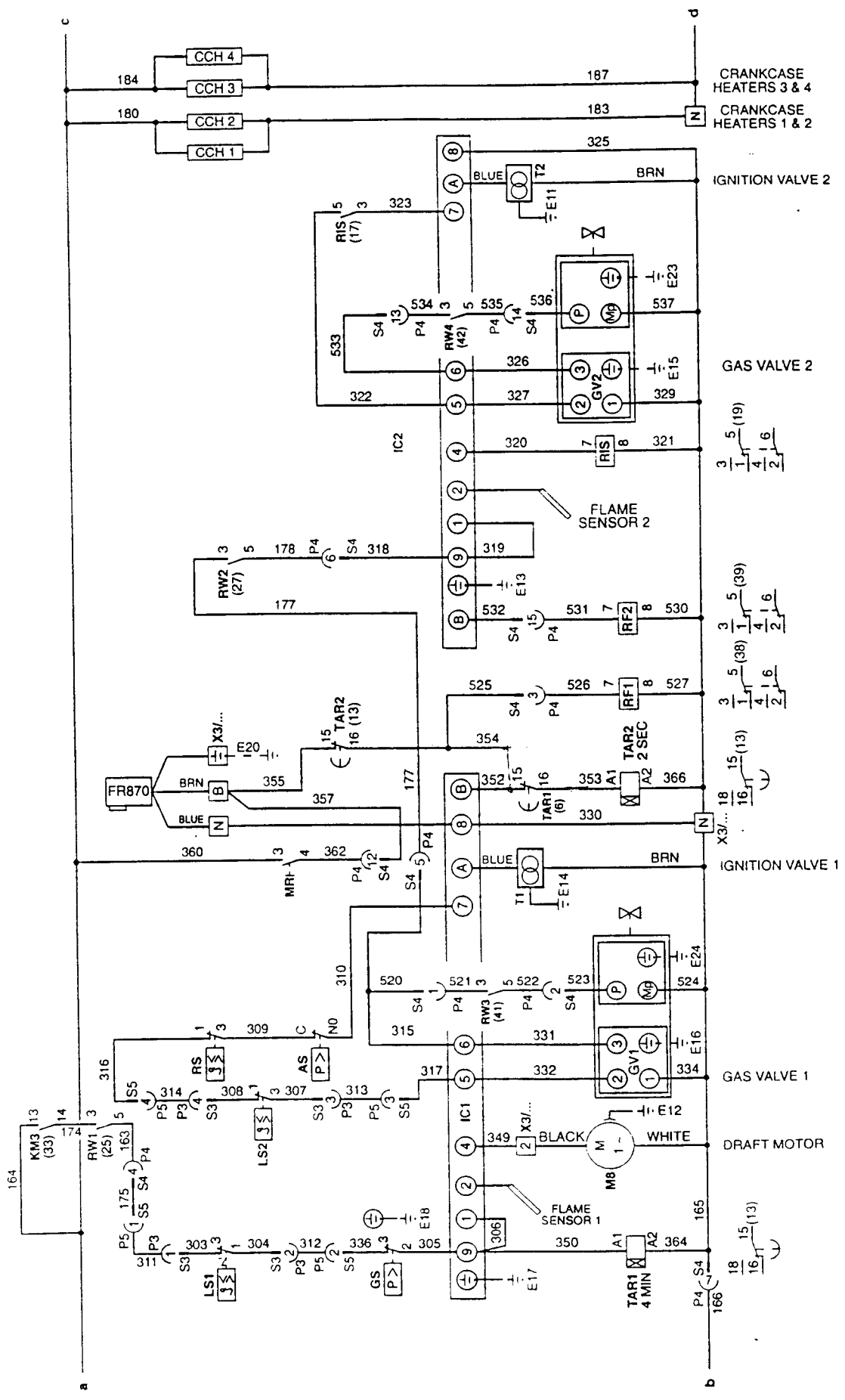
23 24 25 26 27 28 29 30 31 32 33 34 35 36 37 38 39 40 41 42



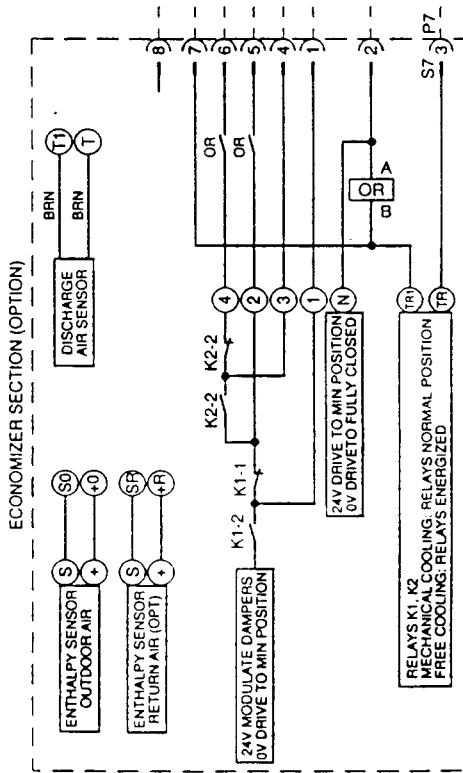
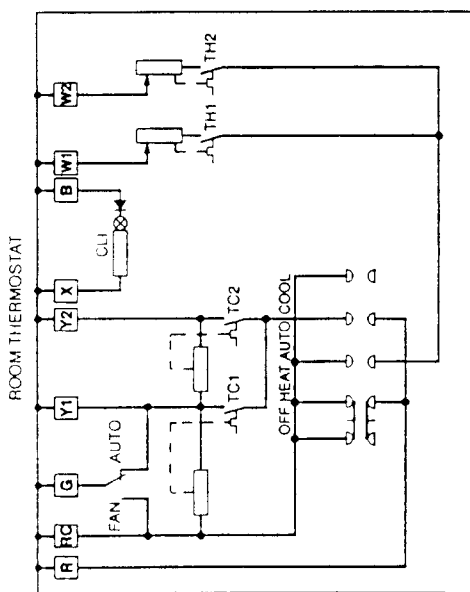
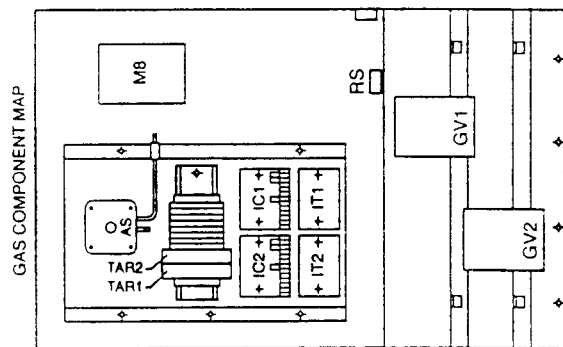
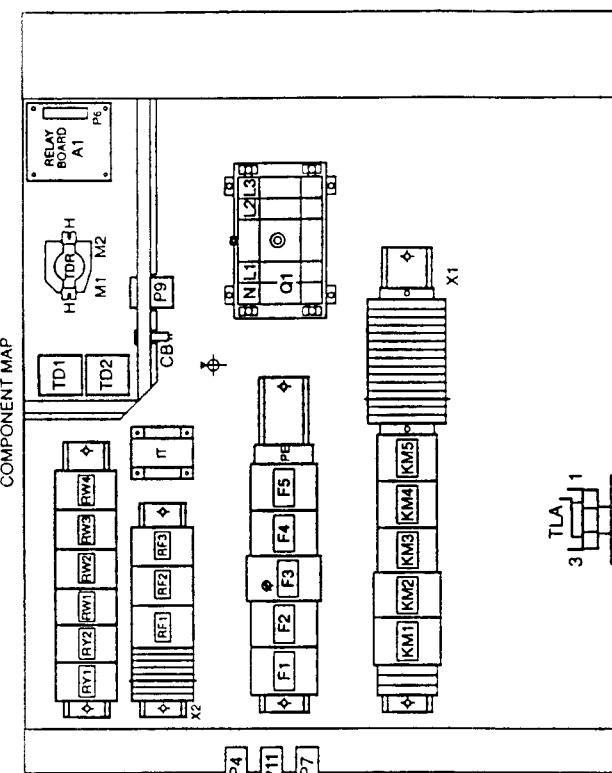
WHEN ECONOMIZER IS FACTORY INSTALLED, THIS EXTENSION HARNESS IS NOT USED

I-1808-a (1 of 1) ESP
 D21G (REV) N32050
 DATE: 1/10/00 3:33:13

19 20 21 22
18
17
16
15
14a
14
13
12
11
10
9
8
7
6
5
4
3
2
1



I-1808-3/a () of JESP
D2IG () N32050
02/2004



- P11/S11 - CONNECTION SAFETY COMPRESSOR
 - PE - EARTH
 - Q1 - POWER DISCONNECT SWITCH
 - RF1 AND RF2 - HEATING FAIL
 - RF3 - COOLING FAIL
 - RIS - RELAY IGNITION SEQUENCE
 - RS - BURNER ASSEMBLY HEATSTAT
 - RW1, RW2, RW3 AND RW4 - RELAY STAGE HEAT
 - RY1 AND RY2 - RELAY COOLING
 - TAR1 - TIME DELAY RELAY GAS RESET 4 MIN.
 - TAR2 - TIME DELAY RELAY GAS RESET 2 SEC.
 - TD1 - TIME DELAY ON MAKE 4 SEC
 - TD2 - TIME DELAY ON MAKE 10 SEC
 - TDR - TIME DELAY RELAY
 - X1 - TERMINAL BLOCK, HIGH VOLTAGE
 - X2 - TERMINAL BLOCK, 24 VAC
-
- IT - TRANSFORMER 24 VAC SEC
 - A1 - RELAY BOARD THERMOSTAT 24 VAC
 - AS - SWITCH, AIR PRESSURE
 - CB - CIRCUIT BREAKER 24 VAC
 - CCH1 + 4 - CRANKCASE HEATER
 - CL1 - COMPRESSOR LOCKOUT INDICATOR LIGHT
 - F1 AND F2 - CIRCUIT BREAKER, COMPRESSOR
 - F3 - CIRCUIT BREAKER, ID BLOWER
 - F4 - CIRCUIT BREAKER, OD FAN 1 & 2
 - F5 - CIRCUIT BREAKER, 220 VAC
 - GS - SWITCH, GAS PRESSURE
 - HP1 AND HP2 - HIGH PRESSURE CONTROL
 - KM1 AND KM2 - CONTACTOR, COMPRESSOR
 - KM3 - CONTACTOR, ID BLOWER
 - KM4 - CONTACTOR, OD FAN 1
 - KM5 - CONTACTOR, OD FAN 2
 - LP1 AND LP2 - LOW PRESSURE CONTROL
 - LS1 - LIMIT SWITCH, MANUAL RESET
 - LS2 - LIMIT SWITCH, AUTO RESET
 - OR - OCCUPIED RELAY
 - P3/S3, P5/S5 - CONNECTION GAS LIMIT SWITCH
 - P4/S4 - CONNECTION GAS CONTROL
 - P6/S6 - CONNECTION RELAY BOARD 24 VAC
 - P7/S7, P12/S12 - CONNECTION ECONOMIZER CONTROL
 - P9/S9 - CONNECTION 24 VAC PARTITION