

COOLING

NOTES:

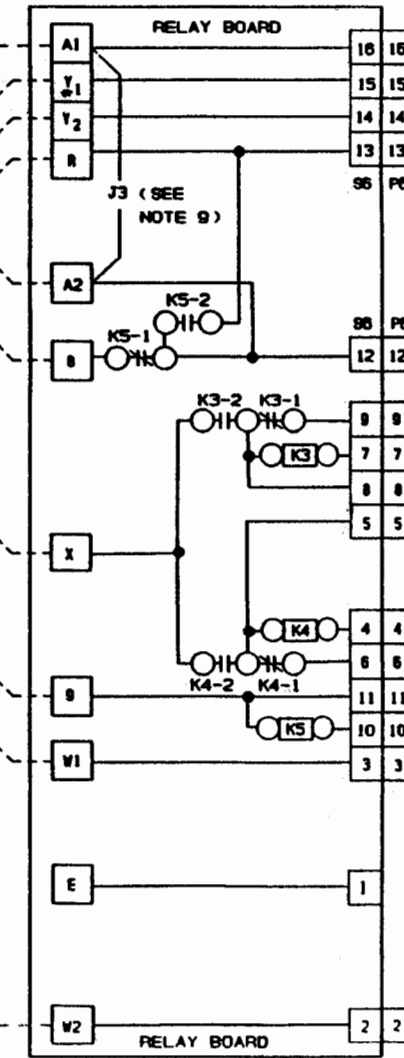
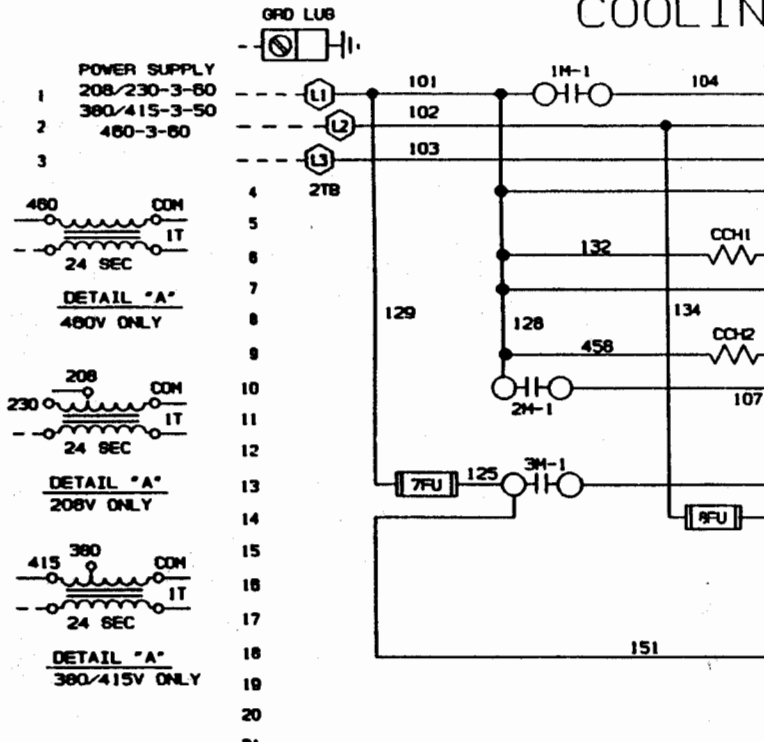
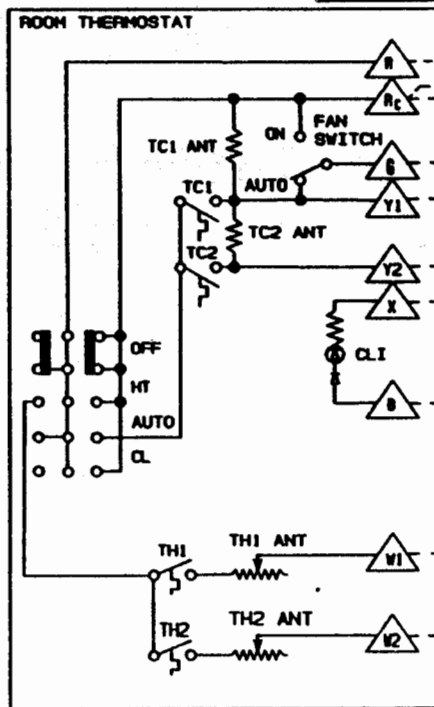
- ALL FIELD WIRING PER:
 (A) NATIONAL ELECT. CODE (NEC) AND/OR
 (B) CANADIAN ELECT. CODE (CEC) AND/OR
 (C) LOCAL OR CITY CODES.
- DRAFTING PRACTICES & SYMBOLS PER ARI GRAPHIC ELECTRICAL STANDARDS.
- IF ANY OF THE ORIGINAL WIRES AS SUPPLIED WITH THE UNIT MUST BE REMOVED IT MUST BE REPLACED WITH TYPE AWG 105° C 600V WIRE OR EQUIVALENT.
- UNIT WIRED FOR 230V. REFER TO DETAIL "A" FOR SPECIFICS WHEN WIRING THE OTHER VOLTAGE APPLICATIONS FOR THIS UNIT.
- WHEN TD1 IS INSTALLED, WIRES 233 & 410 AT 1M COIL ARE CONNECTED TO TERMINAL 3 OF TD1. WIRE 202 IS THEN CONNECTED TO 1M COIL. WHEN TD2 IS INSTALLED, WIRE 236 & 411 AT 2M COIL IS CONNECTED TO TERMINAL 3 OF TD2. WIRE 249 IS THEN CONNECTED TO 2M COIL.
- ALL MOTORS ARE INHERENTLY PROTECTED EXCEPT I.D. BLOWER MOTOR.
- RESISTOR ACROSS S₁ & +₁ MUST BE INSTALLED FOR SINGLE (OUTSIDE AIR) ENTHALPY CONTROL. RESISTOR IS REMOVED AND DISCARDED WHEN SECOND SENSOR (RETURN AIR) IS INSTALLED.
- SEE UNIT NAMEPLATE FOR MAX. FUSE OR CIRCUIT BREAKER SIZE AND MIN. CIRCUIT AMPACITY.
- REMOVE JUMPER "J3" IF OCCUPIED SWITCH IS INSTALLED. OTHERWISE "J3" MUST BE INSTALLED BETWEEN "A1" AND "A2".
- EXHAUST AIR MOTOR WIRED FOR HIGH SPEED; FOR MED. OR LOW SPEED MOVF WIRE 415 AT MOTOR TERM. BLOCK PER MOTOR DIAGRAM.

- LEGEND**
- CB CIRCUIT BREAKER
 - CCH1-3 CRANKCASE HEATER
 - CS SWITCH, CENTRIFUGAL
 - DAS SENSOR, DISCHARGE AIR
 - RW1 & 2 RELAY, HEAT
 - ES SENSOR, ENTHALPY
 - EX1 & 2 RELAY, EXHAUST AIR
 - GV1 & 2 VALVE, GAS
 - HP1 & 2 CONTROL, HIGH PRESSURE
 - IC 1&2 IGNITION CONTROL
 - K3 RELAY, COMPR. 1/2 LOCKOUT
 - K4 RELAY, COMPR. 3/4 LOCKOUT
 - K5 RELAY, BLOWER INTERLOCK
 - L8 SWITCH, LIMIT
 - CL1 COMPR. LOCKOUT INDICATOR LIGHT
 - FS1 & 2 THERMOSTAT, LOW EVAP. TEMPERATURE
 - RY1 & 2 RELAY Y1 & Y2
 - 1M CONTACTOR, COMPR. 1 & 2
 - 2M CONTACTOR, COMPR. 3 & 4
 - 3M CONTACTOR, I.D. FAN
 - 4M CONTACTOR, NO. 1 O.D. FAN MOTOR
 - 5M CONTACTOR, NO. 2 O.D. FAN MOTOR
 - BOR RELAY, BLOWER OVERLOAD
 - OR RELAY, OCCUPIED
 - IRC CAPACITOR, POWER EXHAUST RUN
 - RS SWITCH, ROLLOUT
 - IT TRANSFORMER, 75 V.A.
 - TC1 & 2 THERMOSTAT COOLING
 - TD1 & 2 TIMER, ANTI-SHORT CYCLE (ACCESS)
 - TDR RELAY, TIME DELAY
 - TH1 & 2 THERMOSTAT HEATING
 - TLA THERMOSTAT, LOW AMBIENT
 - 1TB □ TERMINAL BLOCK, ROOM THERMOSTAT
 - △ TERMINAL BLOCK, ROOM THERMOSTAT
 - 2TB ○ TERMINAL BLOCK, POWER SUPPLY

- FACTORY WIRING AND DEVICES
- - - - - OPTIONAL WIRING & DEVICES
- - - - - FIELD WIRING
- ⊙ IDENTIFIED TERMINAL ON RUN CAPACITOR
- S1/P1 SOCKET/PLUG CONNECTION, UNIT VOLTAGE, 4 PIN ON EVAP. PARTITION
- S4/P4 SOCKET/PLUG CONNECTION, UNIT VOLTAGE, 15 PIN ON COND. PARTITION
- S6/P6 SOCKET/PLUG CONNECTION, 24V.. 16 PIN ON RELAY BOARD
- S7/P7 SOCKET/PLUG CONNECTION, UNIT VOLTAGE, 9 PIN ON COND. PARTITION
- S8/P8 SOCKET/PLUG CONNECTION, UNIT VOLT. 3 PIN IN ECON. SECTION
- S9/P9 SOCKET/PLUG CONNECTION, 24V.. 6 PIN ON 24V CONTROL BOX PARTITION
- S10/P10 SOCKET/PLUG CONNECTION, 2 PIN ON CONDENSER PARTITION
- 7-9FU FUSES (SEE CHART)

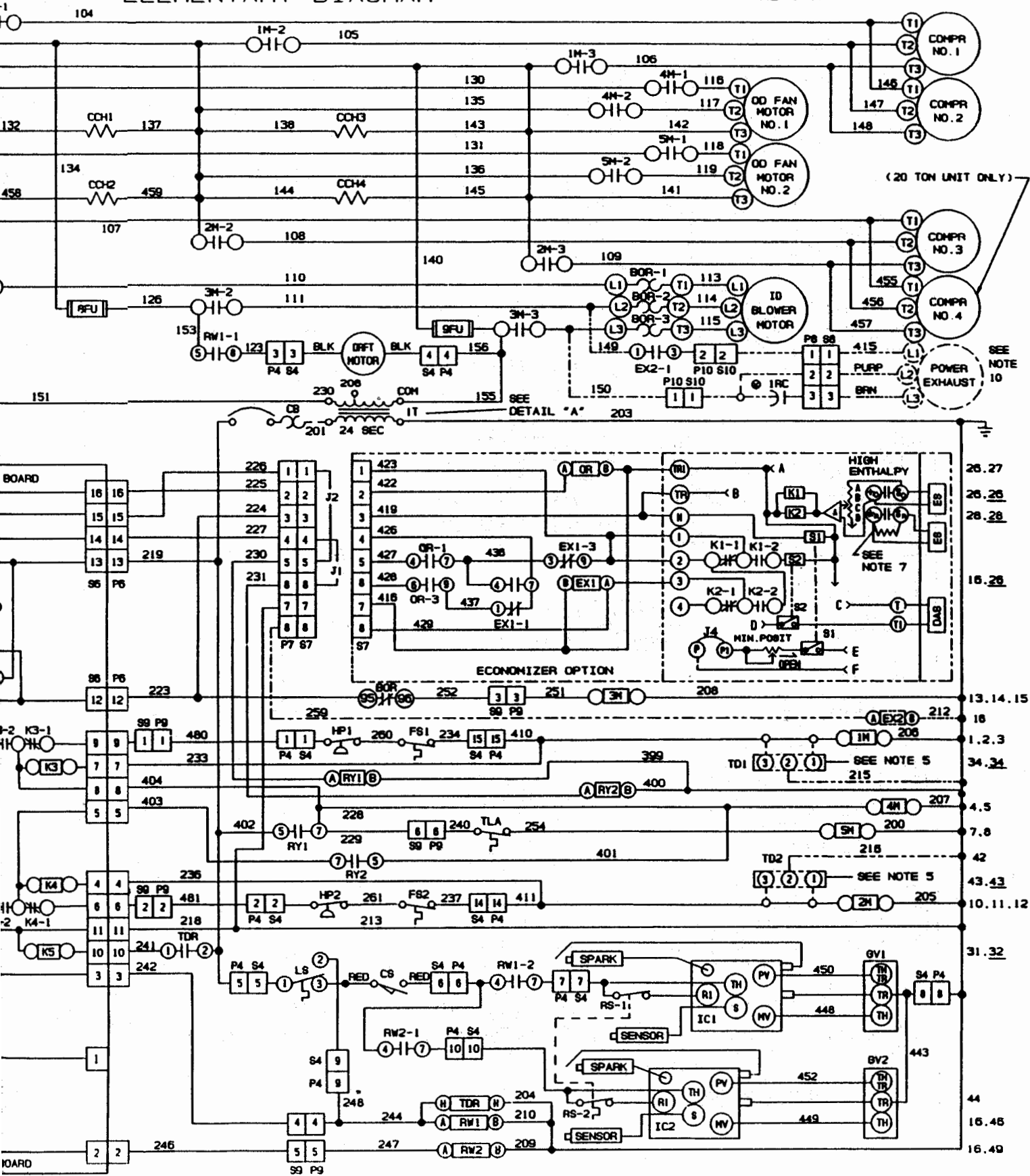
| 5 HP BLOWER | | |
|------------------|----------|------|
| FUSE SIZE (AMPS) | | |
| FUSE | 208/230V | 480V |
| 7FU | 30A | 12A |
| 8FU | 30A | 12A |
| 9FU | 30A | 12A |

| 7.5 HP BLOWER | | |
|------------------|----------|------|
| FUSE SIZE (AMPS) | | |
| FUSE | 208/230V | 480V |
| 7FU | 35A | 15A |
| 8FU | 35A | 15A |
| 9FU | 35A | 15A |

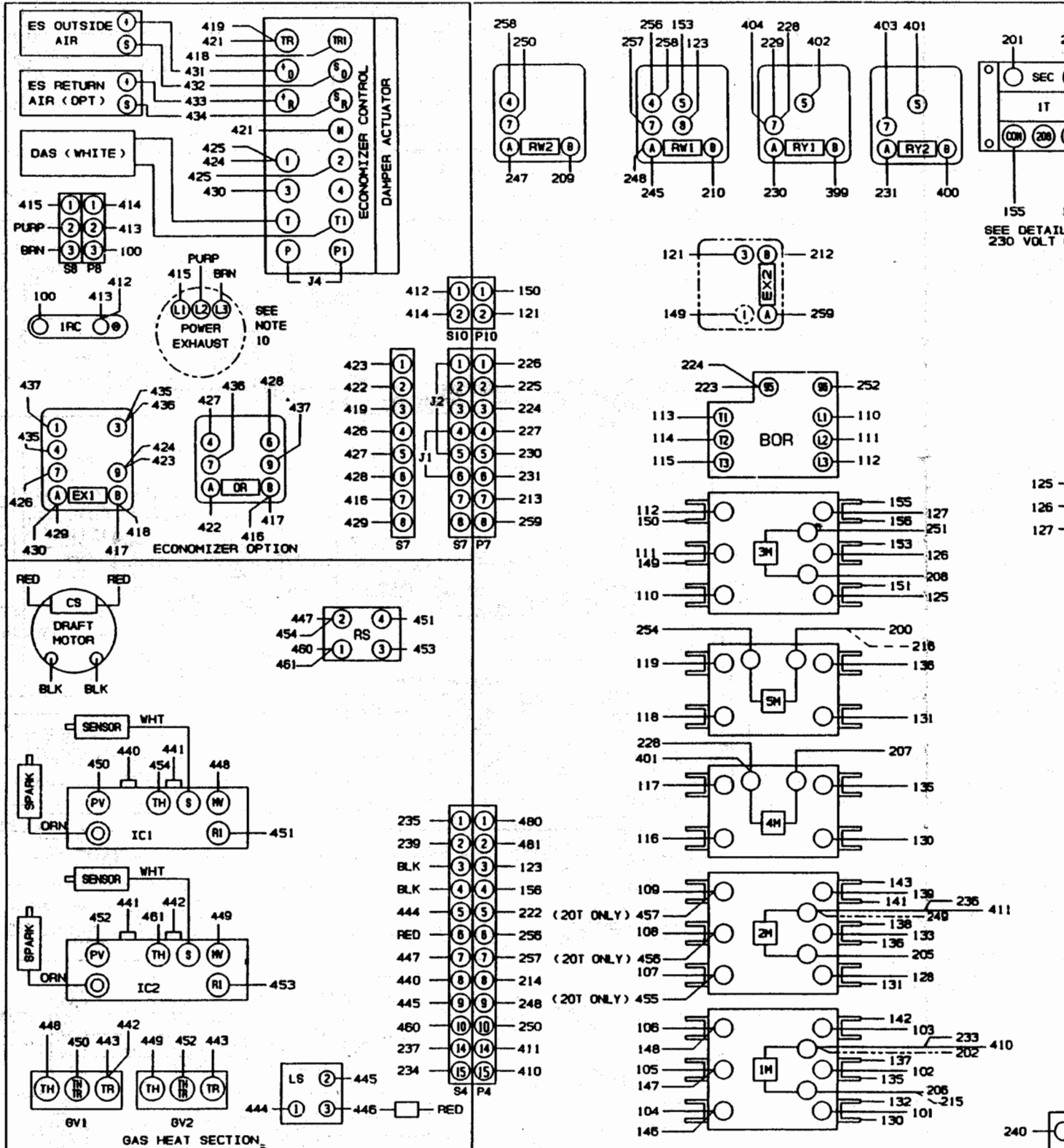


COOLING UNIT WITH GAS HEAT ELEMENTARY DIAGRAM

035-091230
REV. A



COOLING UNIT W/ CONNECTION D



UNIT WITH GAS HEAT SECTION DIAGRAM

035-09124D
REV A

