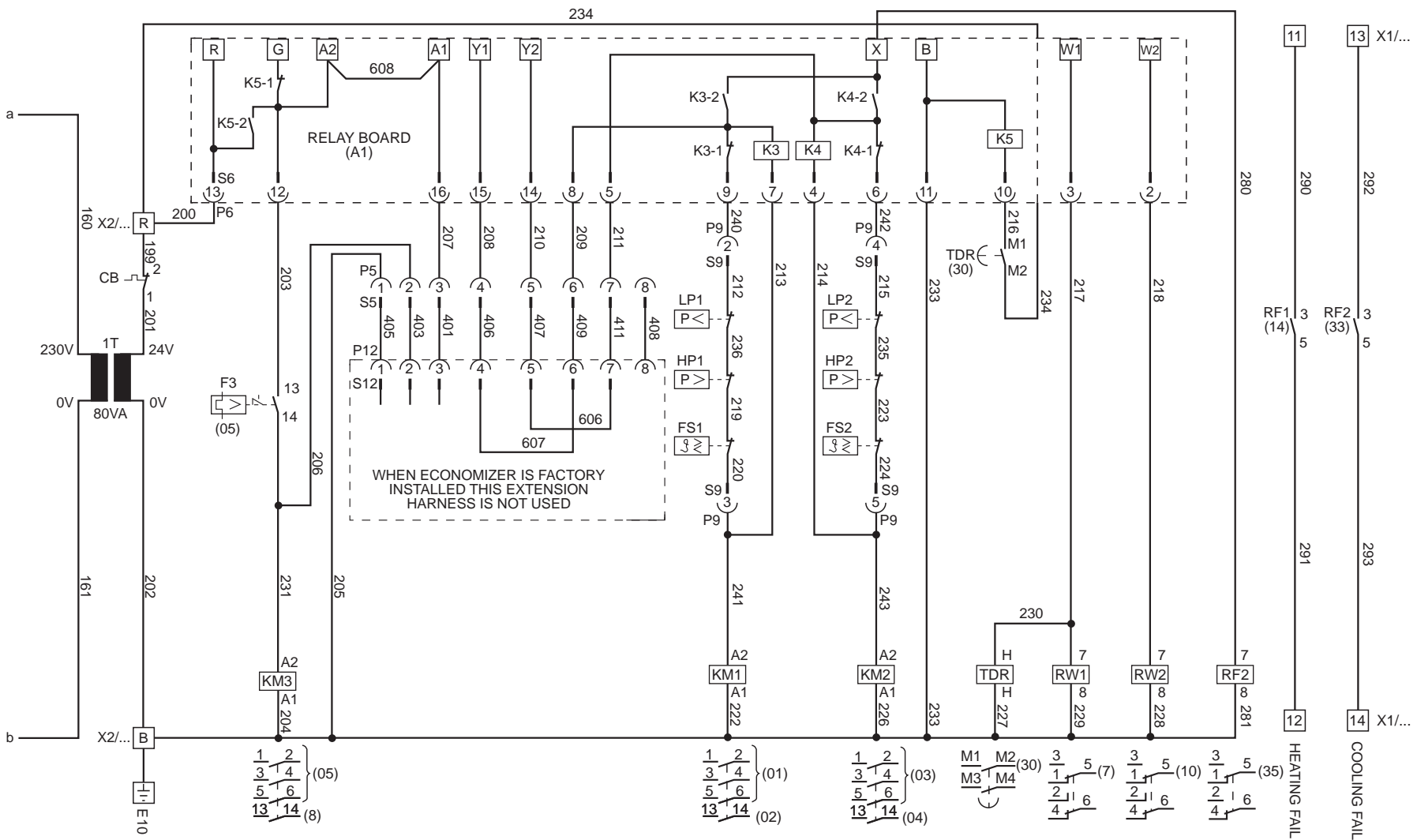
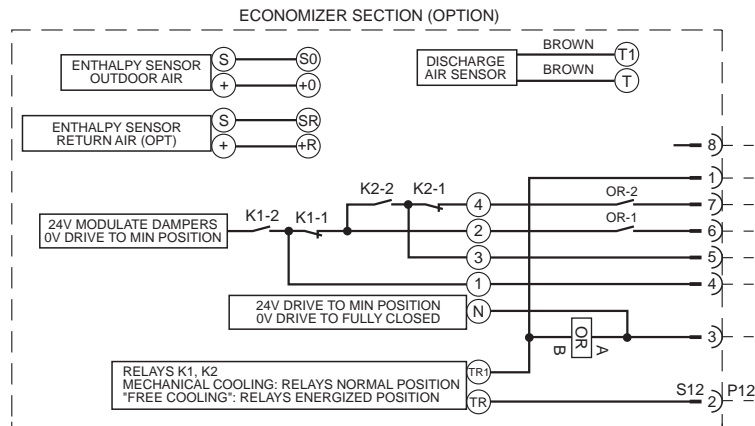
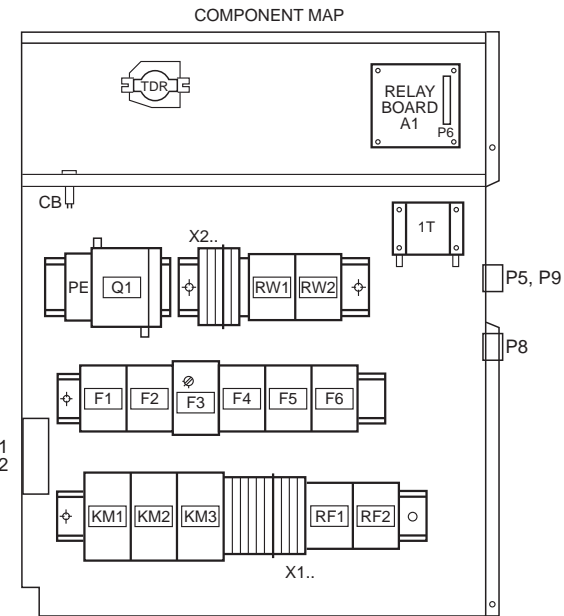
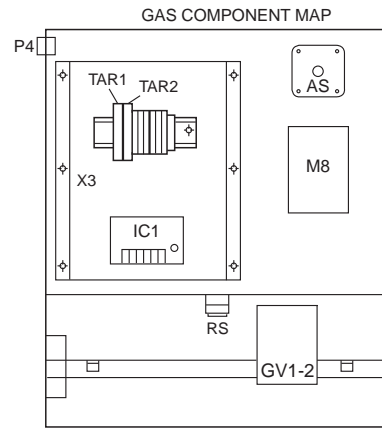
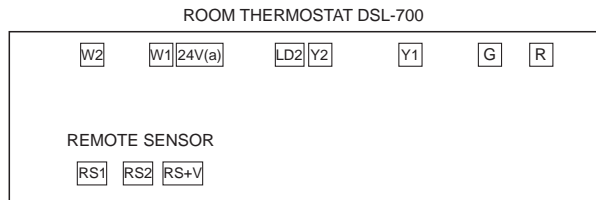


15 16 17 18 19 20 21 22 23 24 25 26 27 28 29 30 31 32 33 34 35



I-2253-3a (3 of 4)  
 D3IG90N16550/JW  
 D3IG120N20050/JW  
 D3IG150N2050/JW



- 1T.- TRANSFORMER 24 VAC SEC
- A1.- RELAY BOARD THERMOSTAT 24 VAC
- AS.- SWITCH, AIR PRESSURE
- CB.- CIRCUIT BREAKER 24 VAC
- CCH1 ÷ 2.- CRANKCASE HEATER
- CLI.- COMPRESSOR LOCKOUT INDICATOR LIGHT
- F1 AND F2.- CIRCUIT BREAKER, COMPRESSOR
- F3.- CIRCUIT BREAKER, ID BLOWER
- F4 AND F5.- CIRCUIT BREAKER, OD FAN
- F6.- CIRCUIT BREAKER, 220 VAC
- GS.- SWITCH, GAS PRESSURE
- GV1-2.- GAS VALVE
- HP1 AND HP2.- HIGH PRESSURE CONTROL
- IC1.- CONTROL IGNITION
- IT1.- TRANSFORMER IGNITION
- KM1 AND KM2.- CONTACTOR, COMPRESSOR
- KM3.- CONTACTOR ID BLOWER
- LAK1-2.- LOW AMBIENT KIT
- LP1 AND LP2.- LOW PRESSURE CONTROL
- LS1.- LIMIT SWITCH, MANUAL RESET
- LS2.- LIMIT SWITCH, AUTO RESET
- M8.- DRAF MOTOR
- OR.- OCCUPIED RELAY
- P3/S3, P4/S4, P8/S8.- CONNECTION GAS CONTROL
- P5/S5.- CONNECTION ECONOMIZER CONTROL
- P6/S6.- CONNECTION RELAY BOARD 24 VAC
- P9/S9.- CONECTION SAFETY COMPRESSOR

- PE.- EARTH
- Q1.- POWER DISCONNECT SWITCH
- RF1.- RELAY HEATING FAIL
- RF2.- RELAY COOLING FAIL
- RS.- BURNER ASSEMBLY HEATSTAT
- RW1 AND RW2.- RELAY, 1ST & 2ND STAGE HEAT
- TAR1.- TIME DELAY RELAY GAS RESET 2 MIN.
- TAR2.- TIME DELAY RELAY GAS RESET 10 SEG.
- TDR.- TIME DELAY RELAY
- TP.- THERMAL PROTECTOR COND. FAN MOTORS
- X1.- TERMINAL BLOCK, HIGH VOLTAGE
- X2.- TERMINAL BLOCK, 24 VAC
- X3.- TERMINAL BLOCK, GAS

I-2253-4a (4 of 4)  
 D3IG90N16550/JW  
 D3IG120N20050/JW  
 D3IG150N20050/JW