

FIG. 1 - SINGLE PACKAGE AIR CONDITIONER

SECTION	FIG	ITEM	DESCRIPTION	D1CG240N24046A	D1CG240N32046A
COMPRESSORS					
	5	1	COMPRESSOR (SYS.1&2) (DUAL)	015-02053-002	015-02053-002
MOTORS					
	6	2	MOTOR, DAMPER (ECONOMIZER)	025-26250-700	025-26250-700
	*	3	MOTOR, DAMPER (OUTDOOR AIR DAMPER)	025-26351-700	025-26351-700
	1	4	MOTOR, BELT DRIVE BLOWER (7.5 HP)	024-24123-703	024-24123-703
	1	5	MOTOR, DIRECT DRIVE FAN	024-24121-701	024-24121-701
	4	6	MOTOR, POWER EXHAUST	024-24131-700	024-24131-700
	1	7	MOTOR, VENTOR	024-25866-004	024-25886-004
ELECTRICAL					
	3	8	BLOCK, TERMINAL (2TB)	025-20710-000	025-20710-000
	*	9	BLOCK, TERMINAL (4TB)	025-27755-000	025-27755-000
	3	10	BOARD, CIRCUIT	031-00652-700	031-00652-700
	3	11	BREAKER, CIRCUIT (CB)	(1)	(1)
	4	12	CAPACITOR, RUN (12.5MFD/370V) (1RC)	024-21219-700	024-21219-700
	3	13	CONTACTOR, ELECTRICAL (3M)	(1)	(1)
	3	14	CONTACTOR, ELECTRICAL (1,2M)	(1)	(1)
	3	15	CONTACTOR, ELECTRICAL (4,5M)	(1)	(1)
	6	16	CONTROL, ENTHALPY	031-00863-000	031-00863-000
	*	17	CONTROL, LOGIC	031-00862-700	031-00862-700
	*	18	CONTROL, MODULE (IGNITION) (IC)	(1)	(1)
	*	19	CONTROL, PRESSURE (HP)	025-17620-014	025-17620-014
	*	20	CONTROL, TEMPERATURE (LIMIT) (LS)	025-26366-004	025-26366-004
	3	21	CONTROL, TEMPERATURE (TLA)	025-27723-001	025-27723-001
	*	22	CONTROL, TEMPERATURE (1,2FS) (2)	025-27727-002	025-27727-002
	*	23	CONTROL, TEMPERATURE (ROLL-OUT) (RS)	025-27733-002	025-27733-002

* NOT SHOWN

(1) THESE PARTS SHOULD BE OBTAINED FROM U.K. BASILDON.

(2) USE HEAT CONDUCTIVE COMPOUND 013-02250-000 WHEN APPLYING CONTROL TO SUCTION LINE.

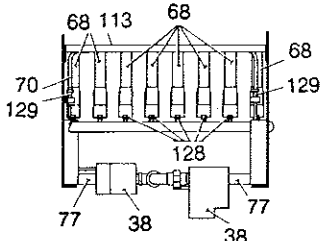


FIG. 2 - GAS SECTION

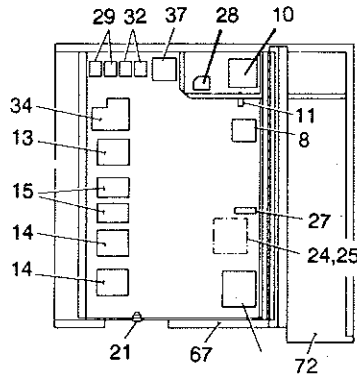


FIG. 3 - ELECTRICAL BOX

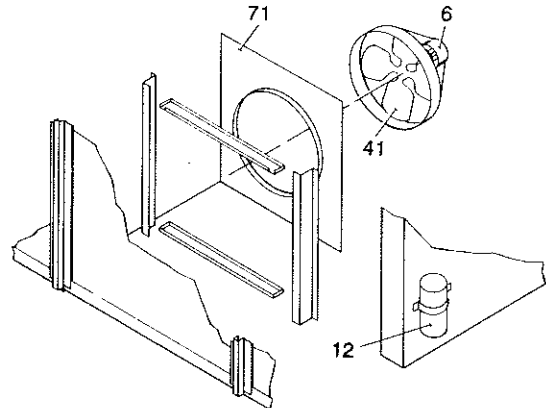


FIG. 4 - POWER EXHAUST

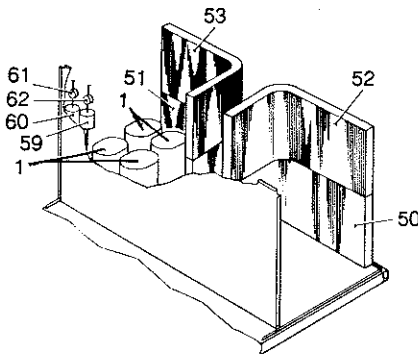


FIG. 5 - COMPRESSOR & COIL SECTION

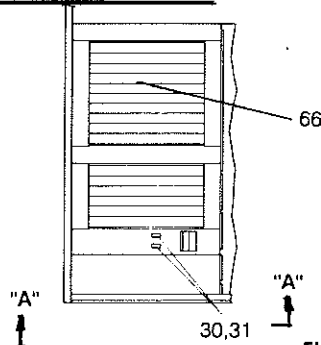
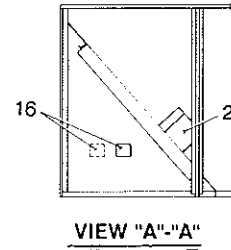


FIG. 6 - ECONOMIZER SECTION



SECTION	FIG	ITEM	DESCRIPTION	D1CG240N24046A	D1CG240N32046A
ELECTRICAL					
	3	24	FUSE (15A/600V) (7-9FU)	(1)	(1)
	3	25	FUSEHOLDER (7-9FU)	025-18284-900	025-18284-900
	*	26	IGNITOR, SPARK	025-27731-702	025-27731-702
	3	27	LUG, GROUND	025-19282-900	025-19282-900
	3	28	RELAY, CONTROL (HEAT SEQUENCE) (TDR)	024-19082-028	024-19082-028
	3	29	RELAY, CONTROL (RW1, RW2)	024-19138-001	024-19138-001
	6	30	RELAY, CONTROL (EX1)	024-19138-001	024-19138-001
	6	31	RELAY, CONTROL (EX2)	024-21292-700	024-21292-700
	3	32	RELAY, CONTROL (RY1, RY2)	024-21678-700	024-21678-700
	*	33	RELAY, CONTROL (DR)	024-24111-000	024-24111-000
	3	34	RELAY, CONTROL (BOR)	(1)	(1)
	*	35	SENSOR, FLAME	025-27731-701	025-27731-701
	*	36	SENSOR, TEMPERATURE (ES)	031-00878-003	031-00878-003
	3	37	TRANSFORMER (1T)	025-25974-700	025-25974-700
	2	38	VALVE, GAS	(1)	(1)
AIR MOVING					
	1	39	BELT, BLOWER (BX-70)	028-12037-000	028-12037-000
	1	40	BLADE, FAN	026-25553-000	026-25553-000
	4	41	BLADE, FAN (POWER EXHAUST)	026-25558-000	026-25558-000
	1	42	PLATE, HOUSING BOTTOM	063-93869-000	063-93869-000
	1	43	PLATE, HOUSING TOP	063-93868-000	063-93868-000
	1	44	PULLEY, BLOWER	028-10577-700	028-10577-700
	1	45	PULLEY, MOTOR	028-12010-000	028-12010-000
	*	46	SHAFT, BLOWER	001-07116-000	001-07116-000
	1	47	WHEEL, BLOWER	026-25529-703	026-25529-703
	*	48	WHEEL, VENTOR BLOWER (BOTTOM)	026-32625-700	026-32625-700
	1	49	WHEEL, VENTOR BLOWER (TOP)	026-32626-700	026-32626-700

* NOT SHOWN

(1) THESE PARTS SHOULD BE OBTAINED FROM U.K. BASILDON.

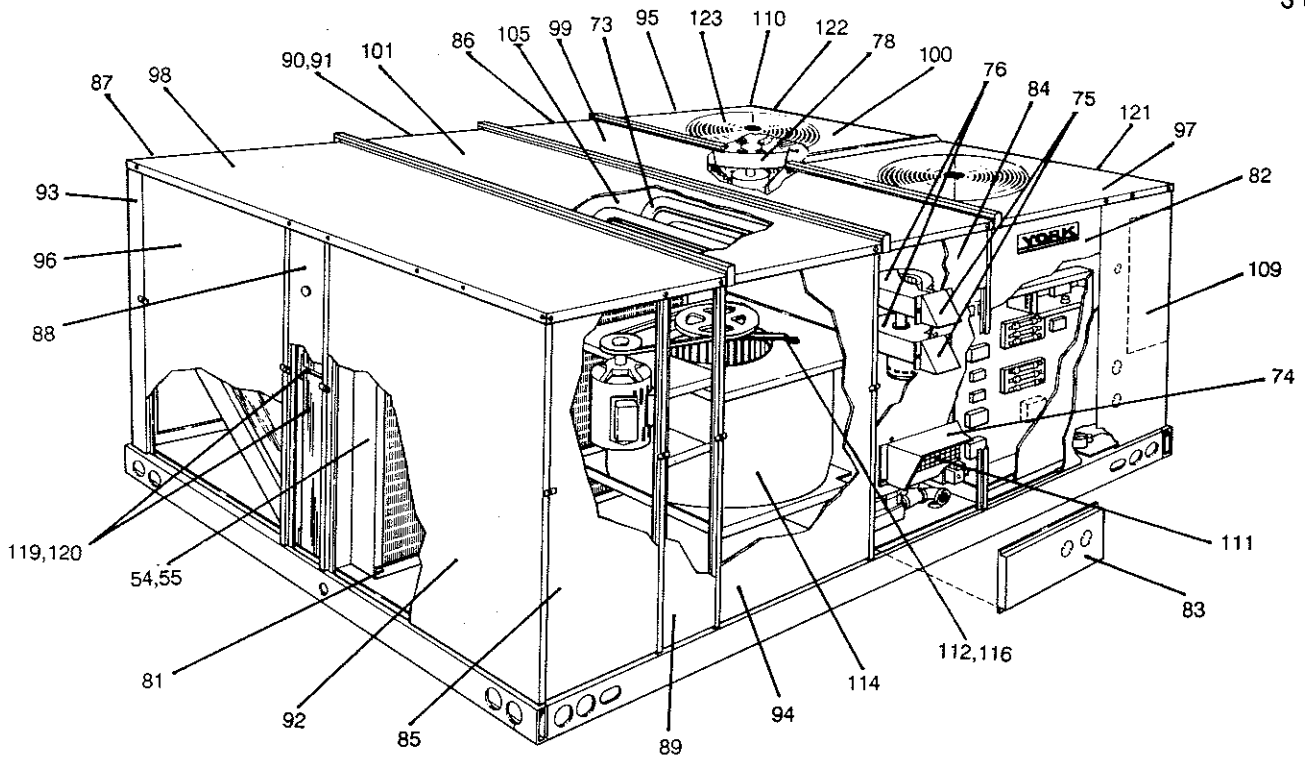


FIG. 7 - SINGLE PACKAGE AIR CONDITIONER

SECTION	FIG	ITEM	DESCRIPTION	D1CG240N24046A	D1CG240N32046A
FABRICATED					
PARTS	5	50	COIL, CONDENSER (BOTTOM,LH) (3)	373-01844-703	373-01844-703
	5	51	COIL, CONDENSER (BOTTOM,RH) (3)	373-01845-703	373-01845-703
	5	52	COIL, CONDENSER (TOP,LH) (3)	373-01844-702	373-01844-702
	5	53	COIL, CONDENSER (TOP,RH) (3)	373-01845-702	373-01845-702
	7	54	COIL, EVAPORATOR (BOTTOM) (3)	373-01847-000	373-01847-000
	7	55	COIL, EVAPORATOR (TOP) (3)	373-01846-000	373-01846-000
	*	56	CORE, VALVE	022-02475-000	022-02475-000
	*	57	DISTRIBUTOR (SYS. 2)	022-06846-003	022-06846-003
	*	58	DISTRIBUTOR (SYS. 1)	022-06846-003	022-06846-003
	5	59	FILTER, DRIER (SYS. 1)	026-14777-712	026-14777-712
	5	60	FILTER, DRIER (SYS. 2)	026-14777-712	026-14777-712
	5	61	INDICATOR, MOISTURE (SYS. 2)	026-12525-700	026-12525-700
	5	62	INDICATOR, MOISTURE (SYS. 1)	026-12525-700	026-12525-700
	*	63	VALVE, EXPANSION (SYS. 1)	022-06852-001	022-06852-001
	*	64	VALVE, EXPANSION (SYS. 2)	022-06852-001	022-06852-001
FABRICATED					
PARTS	*	65	BAFFLE, HEAT EXCHANGER	063-90071-000	063-90071-000
	6	66	BLADE, DAMPER	063-94973-000	063-94973-000
	3	67	BOX, ELECTRIC	063-93752-000	063-93752-000
	2	68	BURNER, MAIN GAS	029-18431-000	029-18431-000
	*	69	COVER, DUCT (BASE HEAT SECTION)	363-94868-240	363-94868-240
	2	70	CROSSOVER, GAS	029-20404-000	029-20099-000
	5	71	DECK, FAN (POWER EXHAUST)	073-01888-000	073-01888-000
	3	72	DOOR, CONTROL BOX	063-93792-000	063-93792-000
	7	73	HEAT EXCHANGER	363-93846-701	363-93846-702
	7	74	HOOD, AIR INLET	063-94817-000	063-94817-000
	7	75	HOOD, FLUE OUTLET	363-93686-700	363-93686-700
	7	76	HOUSING, VENT BLOWER (TOP & BOTTOM)	063-90041-000	063-90041-000
	2	77	MANIFOLD, GAS	029-20081-000	029-20081-000
	7	78	ORIFICE, FAN	063-94820-000	063-94820-000
	*	79	ORIFICE, VENTOR BLOWER (BOTTOM)	063-90038-010	063-90038-009
	*	80	ORIFICE, VENTOR BLOWER (TOP)	063-90038-014	063-90038-008
	7	81	PAN, DRAIN	373-03203-002	373-03203-002
	7	82	PANEL, ACCESS (CONTROL BOX)	063-93794-000	063-93794-000
	7	83	PANEL, ACCESS (HEAT SECTION, BOTTOM)	063-94769-000	063-94769-000
	7	84	PANEL, ACCESS (HEAT SECTION, TOP)	063-94770-000	063-94770-000
	7	85	PANEL, ACCESS (LEFT FRONT)	363-94868-170	363-94868-170

* NOT SHOWN

(3) INCLUDES HEADERS.

SECTION	FIG	ITEM	DESCRIPTION	D1CG240N24046A	D1CG240N32046A
FABRICATED					
PARTS	7	86	PANEL, ACCESS (REAR HEAT SECTION)	373-06317-190	373-06317-190
	7	87	PANEL, ACCESS (REAR, LH)	363-94868-220	363-94868-220
	7	88	PANEL, ACCESS (SIDE)	363-94868-180	363-94868-180
	7	89	PANEL, ACCESS (BLOWER MOTOR)	363-94868-180	363-94868-180
	7	90	PANEL, ACCESS (ECONOMIZER)	363-94866-210	363-94866-210
	7	91	PANEL, ACCESS (W/O ECONOMIZER)	363-94829-031	363-94829-031
	7	92	PANEL, CORNER (LEFT FRONT)	363-94868-230	363-94868-230
	7	93	PANEL, CORNER (REAR, LH)	363-94868-200	363-94868-200
	7	94	PANEL, FRONT (BLOWER SECTION)	363-94868-210	363-94868-210
	7	95	PANEL, REAR (COMPRESSOR ACCESS)	063-93795-000	063-93795-000
	7	96	PANEL, SIDE (FILTER SECTION)	363-94868-210	363-94868-210
	7	97	PANEL, TOP (CONDENSER, FRONT)	063-93750-000	063-93750-000
	7	98	PANEL, TOP (EVAPORATOR, LH)	363-94868-140	363-94868-140
	7	99	PANEL, TOP (HEAT SECTION)	373-06317-160	373-06317-160
	7	100	PANEL, TOP (CONDENSER REAR)	063-93751-000	063-93751-000
	7	101	PANEL, TOP (EVAPORATOR, RH)	373-06317-150	373-06317-150
	*	102	PANEL, VESTIBULE (BOTTOM)	363-94871-100	363-94871-100
	*	103	PANEL, VESTIBULE (FRONT)	363-94871-020	363-94871-020
	*	104	PANEL, VESTIBULE (TOP)	063-93849-000	063-93849-000
	7	105	PARTITION, CONDENSER SIDE	363-94871-030	363-94871-030
	*	106	PARTITION, EVAPORATOR SIDE	363-94871-040	363-94871-040
	*	107	PLATE, VENTOR HOUSING (BOTTOM)	073-03210-000	073-03210-000
	*	108	PLATE, VENTOR HOUSING (TOP)	073-03170-000	073-03170-000
	7	109	POST (RIGHT FRONT CORNER)	063-93805-000	063-93805-000
	7	110	POST (RIGHT REAR CORNER)	063-93786-000	063-93786-000
	7	111	SCREEN, AIR INLET	026-31407-000	026-31407-000
	7	112	BRACKET, BEARING	026-25552-000	026-25552-000
	2	113	SUPPORT, BURNER	063-93848-000	063-93848-000
	7	114	WRAPPER, BLOWER	063-94675-000	063-94675-000
MISCELLANEOUS					
	*	115	BALL JOINT	029-08786-900	029-08786-900
	7	116	BEARING, BLOWER	029-20490-000	029-20490-000
	*	117	CAP, FLARE	023-11018-000	023-11018-000
	*	118	ELBOW, 90 (DRAIN PAN)	023-01643-000	023-01643-000
	7	119	FILTER, AIR (4 REQ'D)	(2x16x20)	(2x16x20)
	7	120	FILTER, AIR (4 REQ'D)	(2X16x25)	(2x16x25)
	7	121	GUARD, COIL (SYS.1)	026-31432-702	026-31432-702
	7	122	GUARD, COIL (SYS.2)	026-31432-702	026-31432-702
	7	123	GUARD, FAN	026-25549-000	026-25549-000
	*	124	ISOLATOR, COMPRESSOR (TANDEM)	028-11945-000	028-11945-000
	*	125	KEY, BLOWER	001-07110-004	001-07110-004
	*	126	KEY, PULLEY	001-07110-005	001-07110-005
	1	127	MOUNT, MOTOR	026-25568-000	026-25568-000
	2	128	ORIFICE, BURNER (NATURAL #30)	029-20423-030	029-20423-030
	2	129	ORIFICE, CARRYOVER (#65)	029-20422-065	029-20422-058
	*	130	PLUG (MALE 3 CIRCUIT)	025-19671-900	025-19671-900
	*	131	PLUG (MALE 6 CIRCUIT)	025-19670-900	025-19670-900
	*	132	PLUG (MALE 9 CIRCUIT)	025-21192-900	025-21192-900
	*	133	SOCKET (FEMALE 3 CIRCUIT)	025-21193-900	025-21193-900
	*	134	SOCKET (FEMALE 6 CIRCUIT)	025-20963-000	025-20963-000
	*	135	SOCKET (FEMALE 9 CIRCUIT)	025-21191-900	025-21191-900
	*	136	SOCKET, CONTACT (1 CIRCUIT)	025-19673-900	025-19673-900
	*	137	SPACER, VENTOR MOTOR	073-03169-000	073-03169-000
	*	138	SUPPORT, FAN	026-25551-000	026-25551-000
	*	139	SUPPORT, MOTOR	373-01957-000	373-01957-000
	*	140	TERMINAL, ELECTRIC (4)	025-20919-900	025-20919-900
	*	141	FILTER, ECONOMIZER (2 REQ'D)	026-25557-000	026-25557-000
				36x32-1/4x1	36x32-1/4x1

* NOT SHOWN

(4) SPLIT PINS MUST BE USED IN RECEPTICALS WITH 6 OR MORE CIRCUITS.



Heating and Air Conditioning



Proud Sponsor of the 1998 U.S. Olympic Team

36USC380

REPLACEMENT PARTS

Supersedes: SEE BELOW

530.18-RP4.7YI (Errata 1) (1194)

Supersedes: 530.18-RP4.7YI (993), Page 1

1 of 4

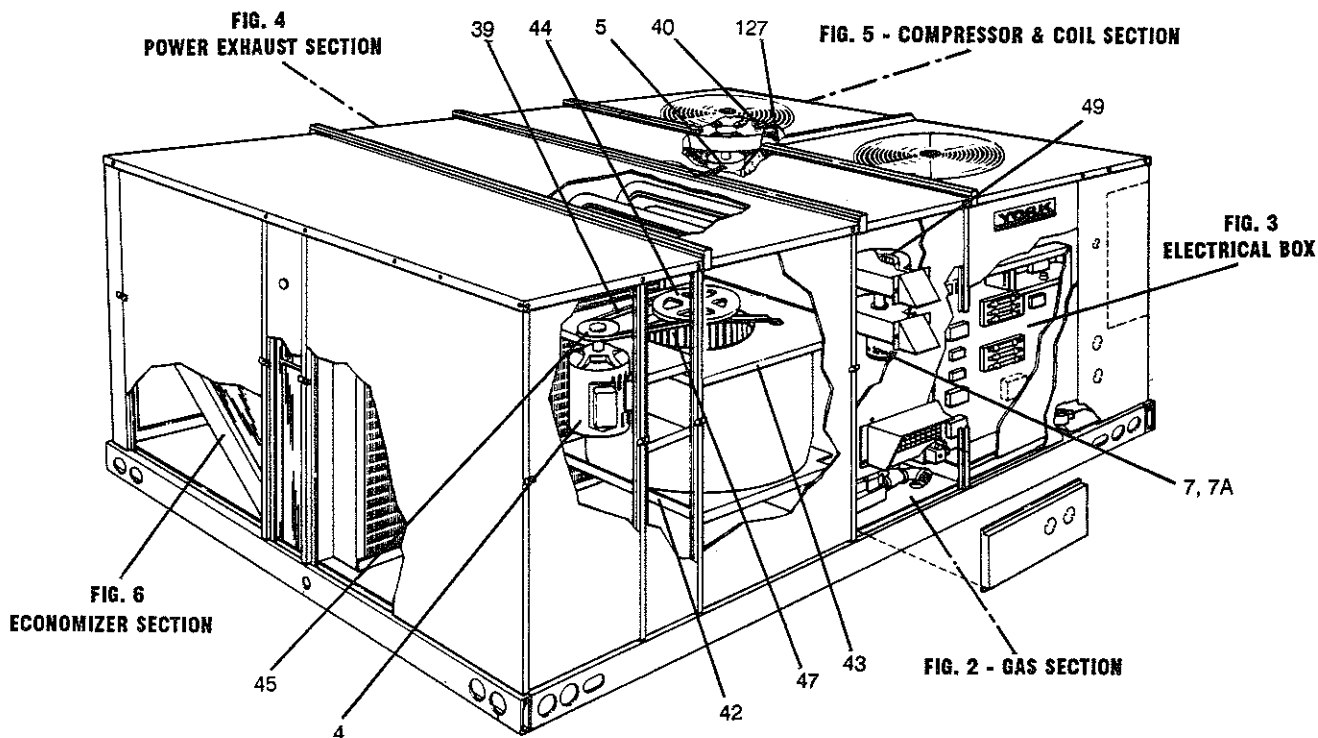


FIG. 1 - SINGLE PACKAGE AIR CONDITIONER

SECTION	FIG	ITEM	DESCRIPTION	D1CG240N24046A	D1CG240N32046A
COMPRESSORS					
	5	1	COMPRESSOR (SYS.1&2) (DUAL)	015-02053-002	015-02053-002
MOTORS					
	6	2	MOTOR, DAMPER (ECONOMIZER)	025-26250-700	025-26250-700
	*	3	MOTOR, DAMPER (OUTDOOR AIR DAMPER)	025-26351-700	025-26351-700
	1	4	MOTOR, BELT DRIVE BLOWER (7.5 HP)	024-24123-703	024-24123-703
	1	5	MOTOR, DIRECT DRIVE FAN	024-24121-701	024-24121-701
	4	6	MOTOR, POWER EXHAUST	024-24131-700	024-24131-700
	1	7	MOTOR, VENTOR 50 HZ	024-25866-700	024-25866-700
	1	7A	MOTOR, VENTOR 60 HZ	024-25005-703	024-25005-703
ELECTRICAL					
	3	8	BLOCK, TERMINAL (2TB)	025-20710-000	025-20710-000
	*	9	BLOCK, TERMINAL (4TB)	025-27755-000	025-27755-000
	3	10	BOARD, CIRCUIT	031-00652-700	031-00652-700
	3	11	BREAKER, CIRCUIT (CB)	(1)	(1)
	4	12	CAPACITOR, RUN (12.5MFD/370V) (1RC)	024-21219-700	024-21219-700
	3	13	CONTACTOR, ELECTRICAL (3M)	(1)	(1)
	3	14	CONTACTOR, ELECTRICAL (1,2M)	(1)	(1)
	3	15	CONTACTOR, ELECTRICAL (4,5M)	(1)	(1)
	6	16	CONTROL, ENTHALPY	031-00863-000	031-00863-000
	*	17	CONTROL, LOGIC	031-00862-700	031-00862-700
	*	18	CONTROL, MODULE (IGNITION) (IC)	(1)	(1)
	*	19	CONTROL, PRESSURE (HP)	025-17620-014	025-17620-014
	*	20	CONTROL, TEMPERATURE (LIMIT) (LS)	025-26366-004	025-26366-004
	3	21	CONTROL, TEMPERATURE (TLA)	025-27723-001	025-27723-001
	*	22	CONTROL, TEMPERATURE (1,2FS) (2)	025-27727-002	025-27727-002
	*	23	CONTROL, TEMPERATURE (ROLL-OUT) (RS)	025-27733-002	025-27733-002

* NOT SHOWN

(1) THESE PARTS SHOULD BE OBTAINED FROM U.K. BASILDON.
(2) USE HEAT CONDUCTIVE COMPOUND 013-02250-000 WHEN APPLYING CONTROL TO SUCTION LINE.

