

LEGENDE

- CCH CRANKCASE HEATER
- CUI COM-PROCKOUT INDICATOR LIGHT
- AS SWITCH, VENT AIR PRESSURE
- GS SWITCH, GAS SUPPLY PRESSURE
- DAS DISCHAIR SENSOR
- ES ENTHALPY SENSOR
- FS1 & 2 LOW EVAPORATOR TEMPERATURE THERMOSTAT
- F1-2 COMPRESSOR PROTECTION
- F3 CCH PROTECTION ( 10A )
- F5 MOTOR PROTECTION SWITCH EVAPFAN
- F10 CONTROL CURRENT PROTECTION ( 10A )
- F11 CONTROL CURRENT PROTECTION ( 4A )
- GV GAS VALVE
- HP1 & 2 CONTROL HIGH PRESSURE
- \* K IGNITION CONTROL
- \* K3 COMPRI1 LOCKOUT RELAY
- \* K4 COMPRI2 LOCKOUT RELAY
- \* K5 BLOWER INTERLOCK RELAY
- LS LIMIT SWITCH
- TM COMPRI1 /CONDIFAN1 CONTACTOR
- 2M COMPRI2 /CONDIFAN2 CONTACTOR
- 3M CONTACTOR EVAPFAN
- OR OCCUPIED RELAY
- 1RC RUN CAPACITOR CONDIFAN1
- 2RC RUN CAPACITOR CONDIFAN2
- RS ROLLOUT SWITCH
- RW1 & 2 RELAY HEAT
- 1T TRANSFORMER 75VA
- TARI 2 TIMER GAS RESET
- TB1 ROOM THERMOSTAT TERMBLOCK
- TC1 & 2 THERMOSTAT COOLING
- TD1 & 2 ANTI SHORT CYCLE TIMER (ACCESS)
- TDR TIME DELAY RELAY
- TH1 & 2 THERMOSTAT HEATING
- TIA THERMOSTAT LOW AMBIENT
- S3/P3 SOCKET/PLUG CONNECTION 24V 3 PIN ON EVAP PARTITION PANEL
- S4/P4 SOCKET/PLUG CONNECTION 24V 208/230V 380/415V & 460V ON EVAP PARTITION PANEL
- S5/P5 SOCKET/PLUG CONNECTION 24V 9 PIN ON EVAP COIL BAFFLE
- S6/P6 SOCKET/PLUG CONNECTION 24V 16 PIN ON RELAY BOARD
- S7/P7 SOCKET/PLUG CONNECTION 24V 12 PIN ON RELAY BOARD
- RF1 RELAY 240VAC COIL
- RF2 RELAY 24VAC COIL

\* ON RELAY BOARD

Sheet Draw

Unit Reference

INDEX	
01	1
02	1
03	1
04	1
05	1
06	1
07	1
08	1
09	1
10	1

To	Number	Edition	Date

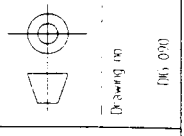
DRAWINGREFERENCE

Symbols	NEN 5152 - UDC 6213 00362 7444
Electromechanical drawing	NEN 5158 - UDC 6213 7444
Electromechanical wiring	NEN 1010 - UDC 6213161 - IEC publ 364
PANEL	NEN 2439 - UDC 6213163/50772 614-825 - IEC 439

CHANGE	DATE	DESCRIPTION
010	07/97	RF1+2 ADDED FOR V/F CONTACTS- FAULT INDICATION
1	01/08/96	Draft motor, TAR1IAR2

Unit reference

DIG 090 (reset)/o/o

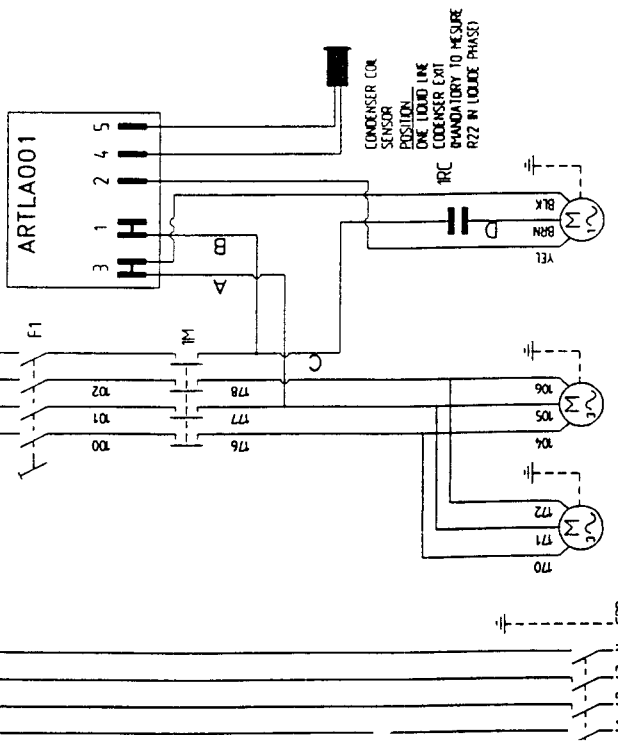


Scale	Drawn	Date	Sheet no	Rev
	SJ	01/01/96	01	

Size A4

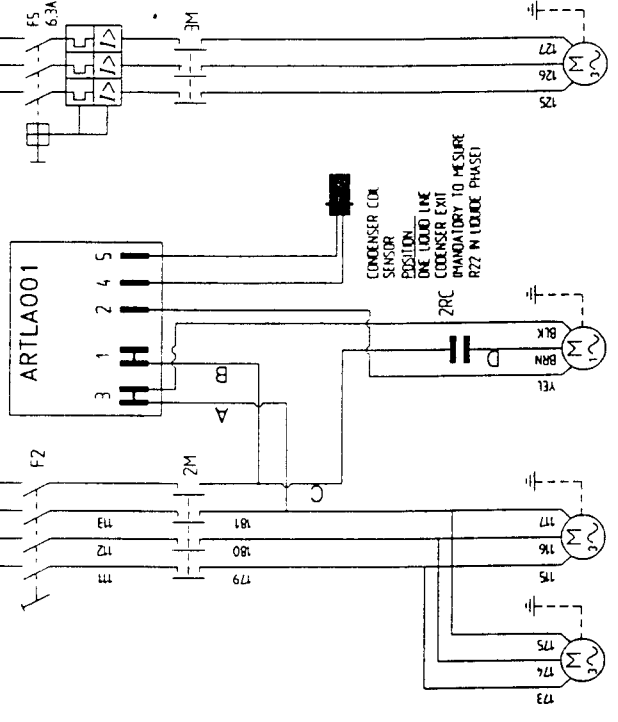
Drawing no 246 000

0	1	2	3	4	5	6	7	8	9
	COMPRESSOR 1	COND FAN 1	COMPRESSOR 2	COND FAN 2	WITH LOW AMBIENT KIT	EVAP FAN			
		WITH LOW AMBIENT KIT							



D11G090 to 150 - Motor 1

WIRE	Number in the control box	Number on the motor leads
A	109	YELLOW
B	110	BLACK
C	Not supplied	Not supplied
D	108	BROWN



D11G090 to 150 - Motor 2

WIRE	Number in the control box	Number on the motor leads
A	120	YELLOW
B	121	BLACK
C	Not supplied	Not supplied
D	119	BROWN

Unit reference  
 TYPE DIG 090 to 150 - with ARTLA001  
 MAIN CURRENT

Scale  
 Drawing by SJ  
 Date 08/07/97

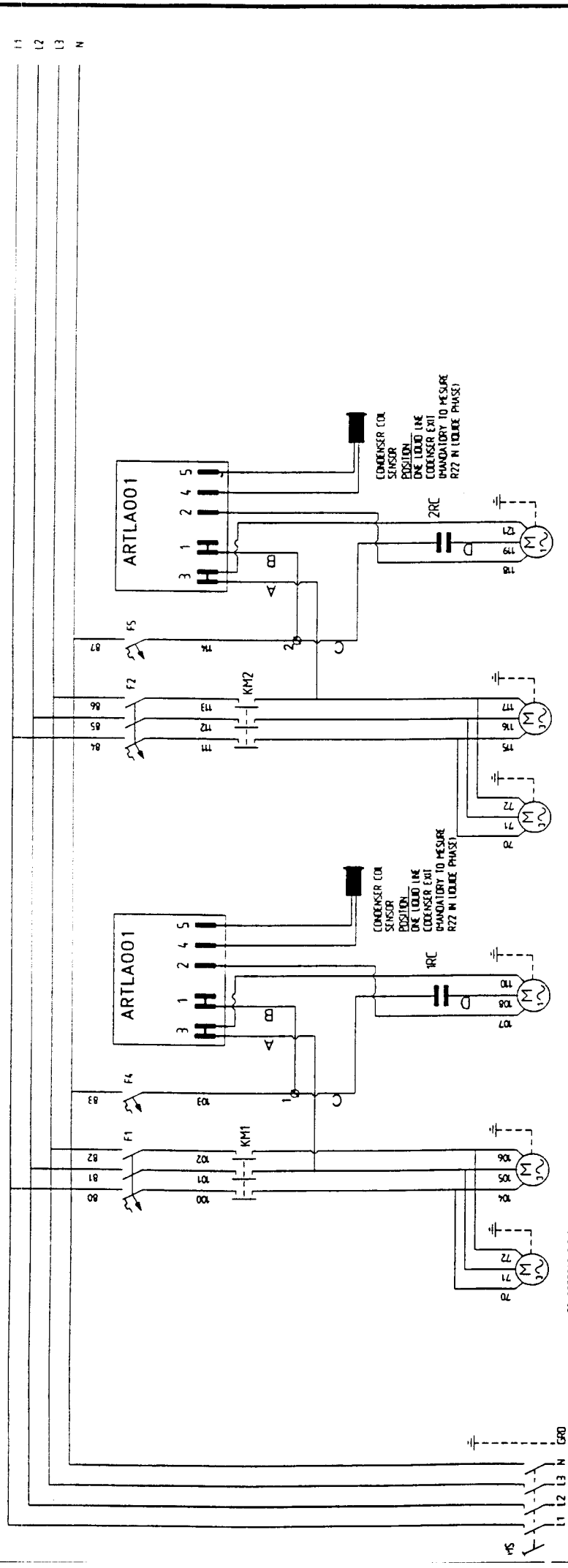
Sheet number 02  
 Rev CE 1

Drawing reference D11G

Size A4

**York** Systems  
 YORK INTERNATIONAL

0	1	2	3	4	5	6	7	8	9
	COMPRESSOR 1	CONDIFAN 1 WITH LOW AMBIENT KIT			COMPRESSOR 2	CONDIFAN 2 WITH LOW AMBIENT KIT			



COMPRESSOR-DIG150 COMPRESSOR CONDENSER FAN 1  
Refer to name plate for Amperages

D2IG090 to 150 - Motor 1  
D2IC090 to 150 - Motor 1

WIRE	Number in the control box	Number on the motor leads
A	107	107
B	110	110
C	Not supplied	Not supplied
D	108	108

COMPRESSOR-DIG150 COMPRESSOR CONDENSER FAN 2  
Refer to name plate for Amperages

D2IG090 to 150 - Motor 2  
D2IC090 to 150 - Motor 2

WIRE	Number in the control box	Number on the motor leads
A	118	118
B	121	121
C	Not supplied	Not supplied
D	119	119

Unit reference  
 TYPE D2IG 090 to 150 / D2IC 090 to 150 - with ARTLA001  
 MAIN CURRENT

Scale  
 Drawing by SJ  
 Date 08/04/97

Drawing reference  
 D2IG

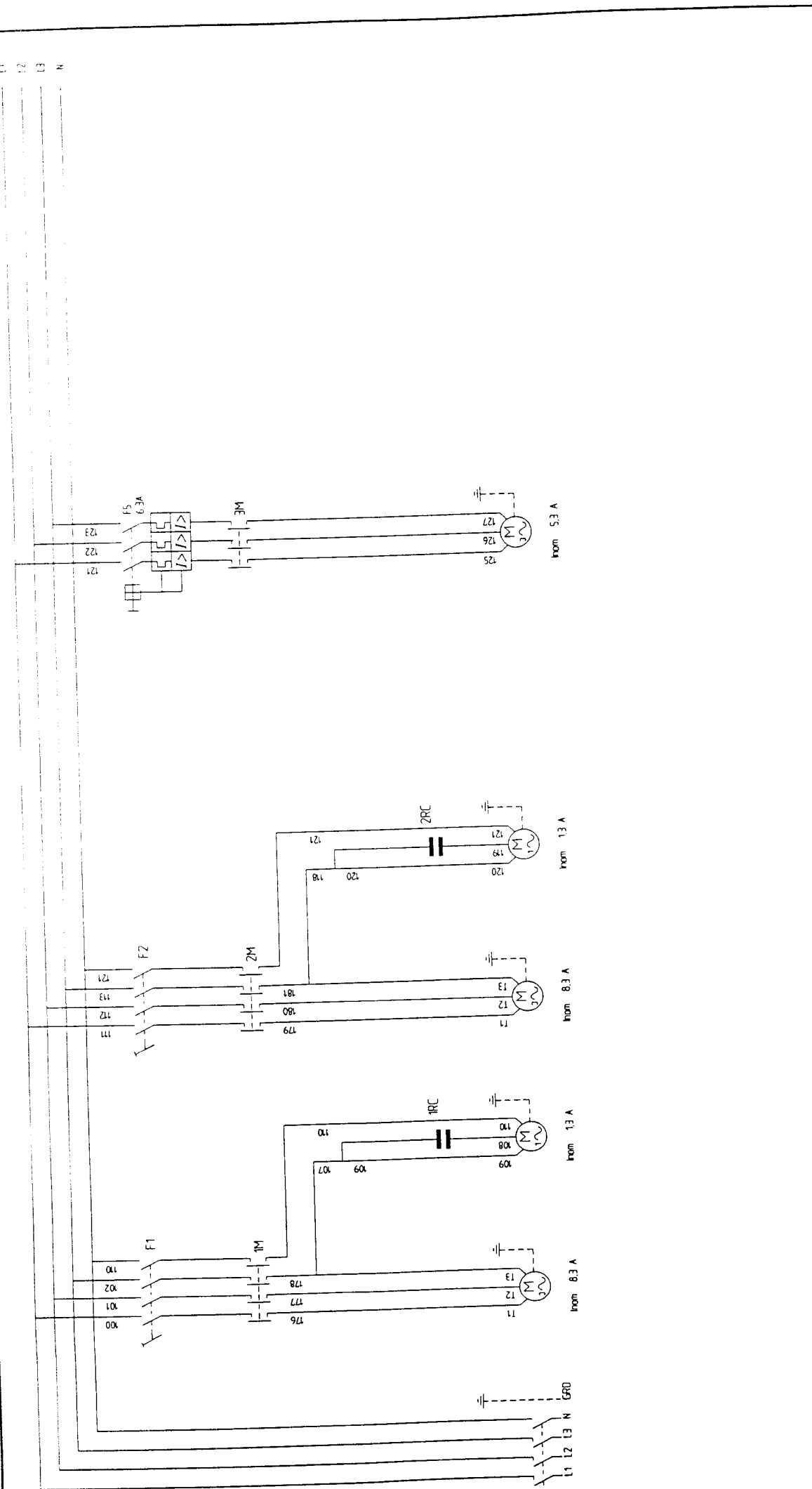
Steel number  
 02

Rev  
 CE 1

Size  
 A4

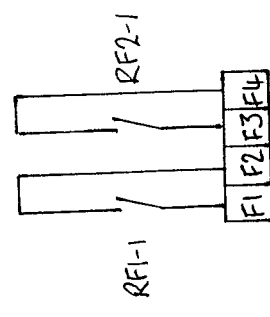
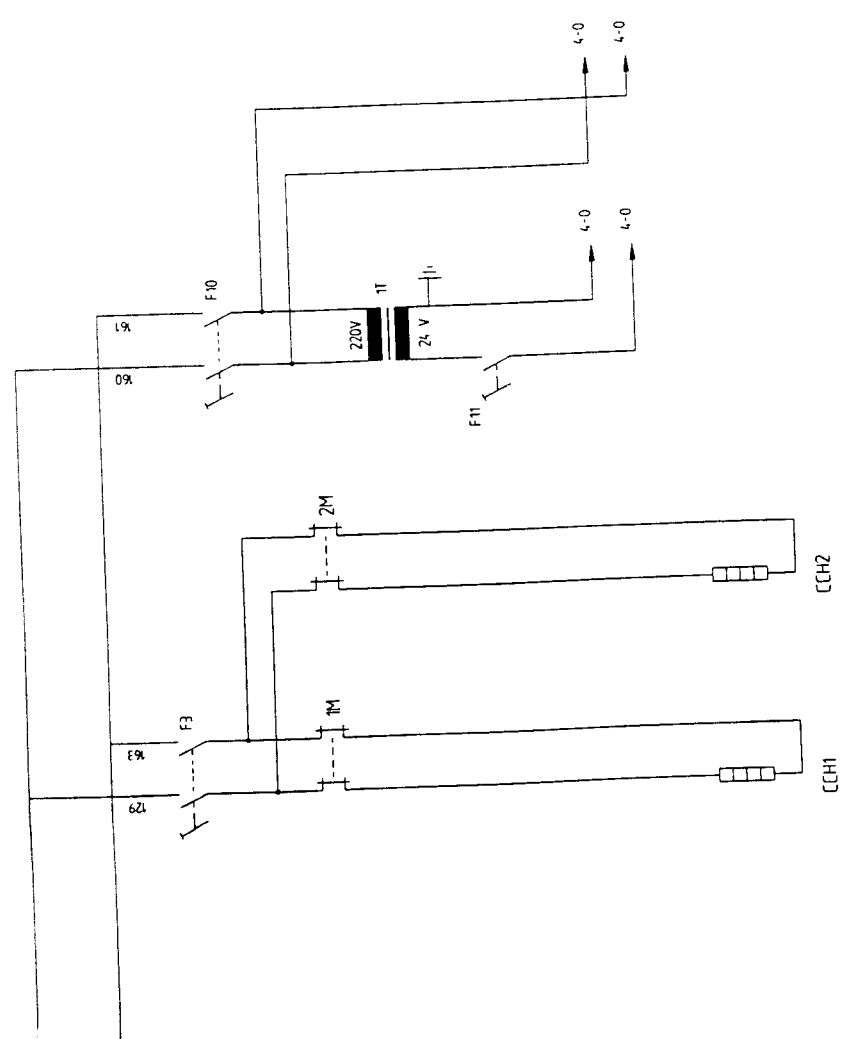
**York** Systems  
 YORK INTERNATIONAL

0	1	2	3	4	5	6	7
	COMPRESSOR 1	COND.FAN 1	COMPRES	COND.FAN 2			



Unit reference Type DIG 090 (reset)	Scale Drawing by SJ Date 01/01/96	Sheet number 02	Rev CE 1
MAIN CURRENT	Drawing reference DIG 090	Site A4	

0	1	2	3	4	5	6	7	8
	CRANKCASE - HEATING COMPRESSOR 1	CRANKCASE - HEATING COMPRESSOR 2	CONTROL 24V-AC	CONTROL CURRENT 220V-AC				



VOLT FREE CONTACTS FOR  
REMOTE FAULT INDICATION

F1-F2 CLOSE ON HEATING FAULT  
F3-F4 CLOSE ON COOLING FAULT

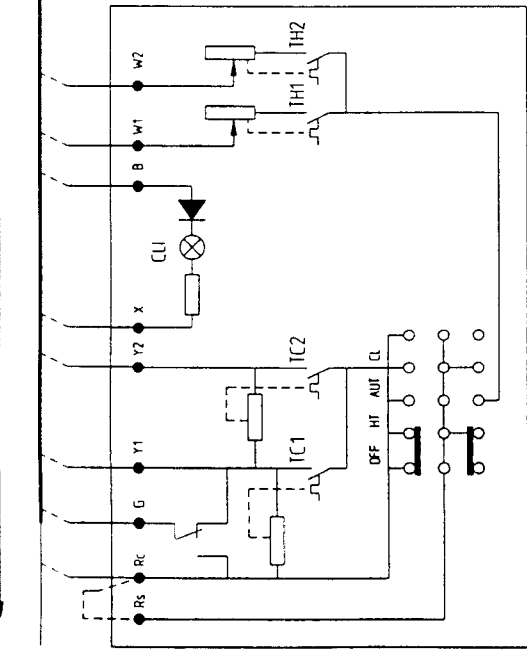
Unit reference TYPE 111G 090 (resel)	Scale Drawing by SJ	Drawing reference Dir. 090	Rev Sheet number 03	CE 1
MAN CURRENT	Date 01/01/96			
<b>York</b> Systems INTERNATIONAL				
			Size A4	

ROOM THERMOSTAT

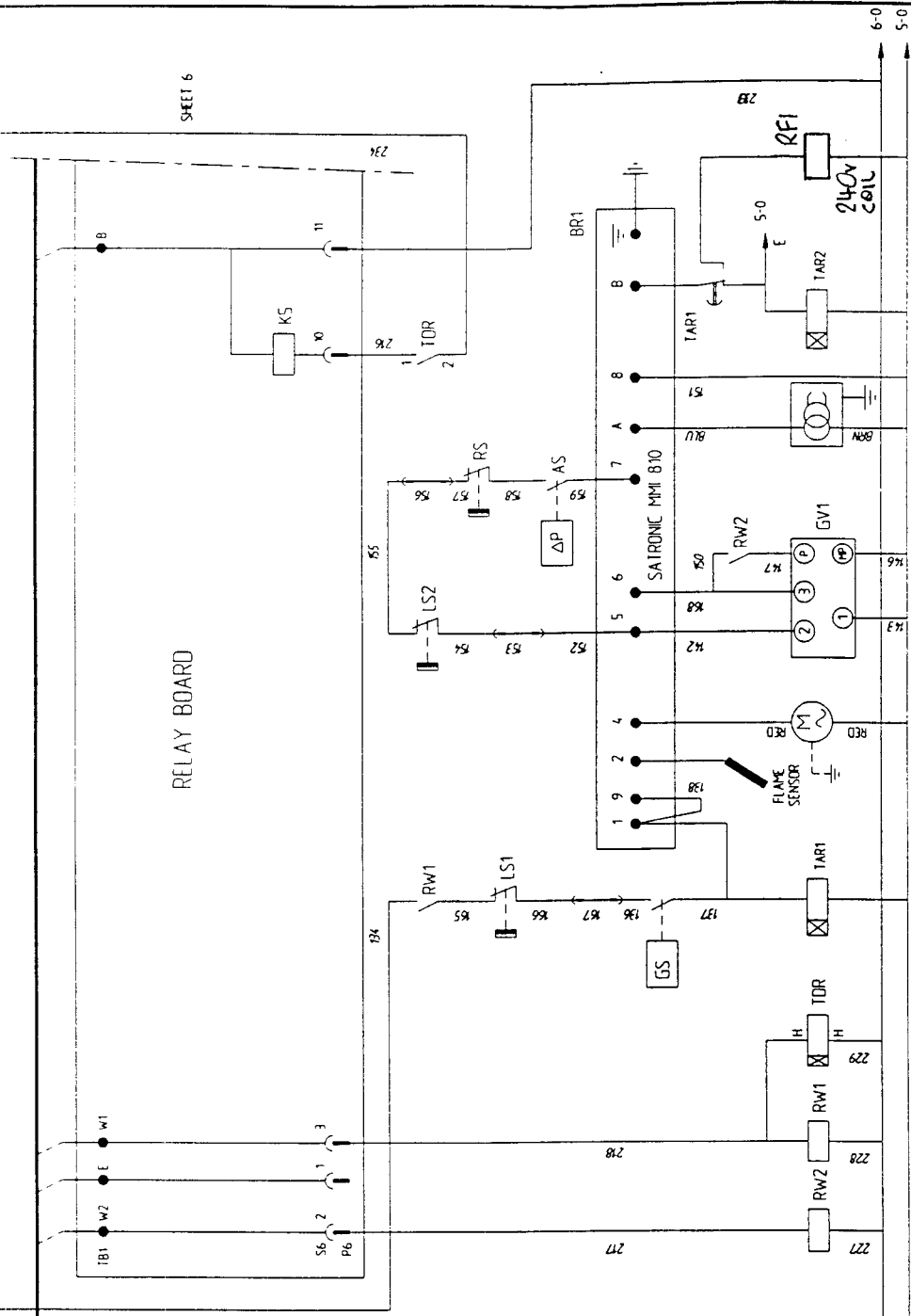
OCCUPIED SWITCH (ACCESS)

EXHAUST CONTROL

3-9 220V-AC  
3-9 24V-AC



RELAY BOARD



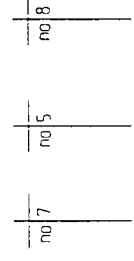
Setting point 4 min

Setting point 2 seconds

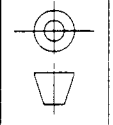
IGNITION

DRAFT MOTOR

24V-0  
220V-0



Unit reference  
TYPE DIG 090 (reset)  
CONTROL CURRENT



Size  
A4

**York** Systems  
YORK INTERNATIONAL

Scale  
Drawing by SJ  
Date 01/01/96

Drawing reference  
DIG 090

Sheet number  
04

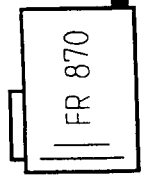
Rev  
CC 1

SHEET 6

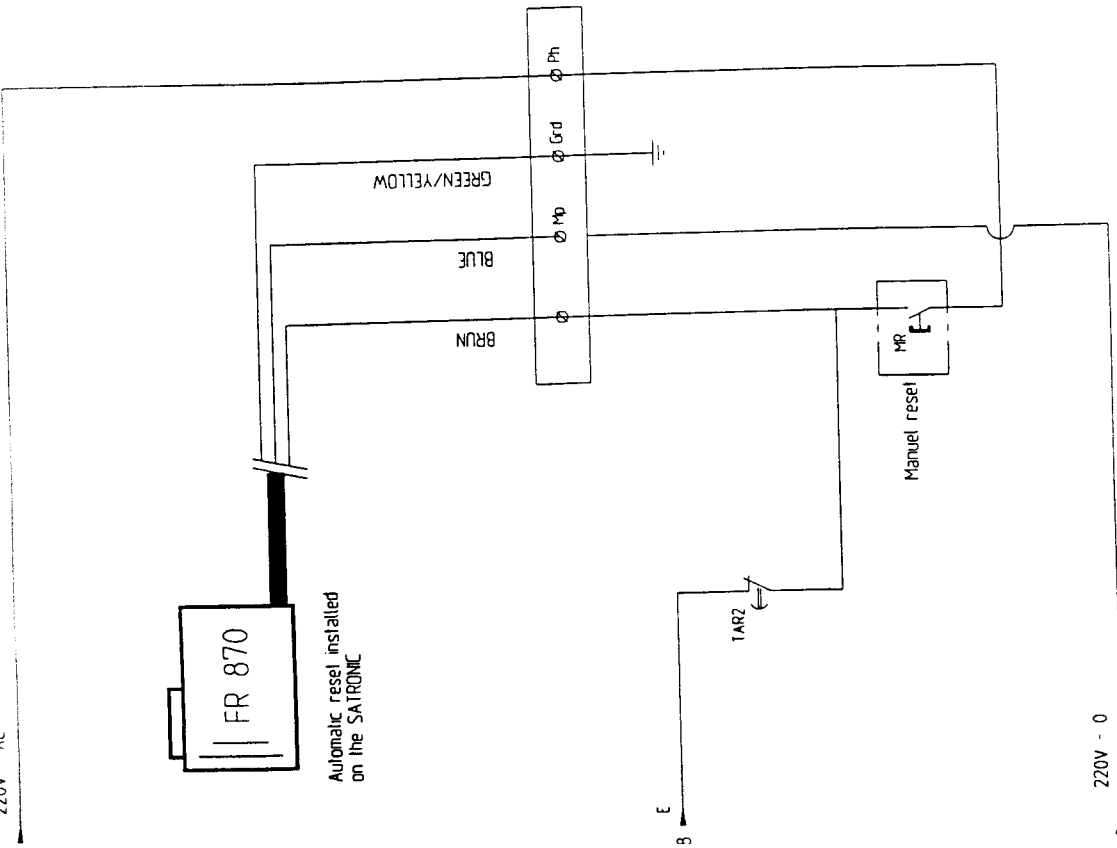
5-0  
6-0

6-0  
5-0

220V - AC



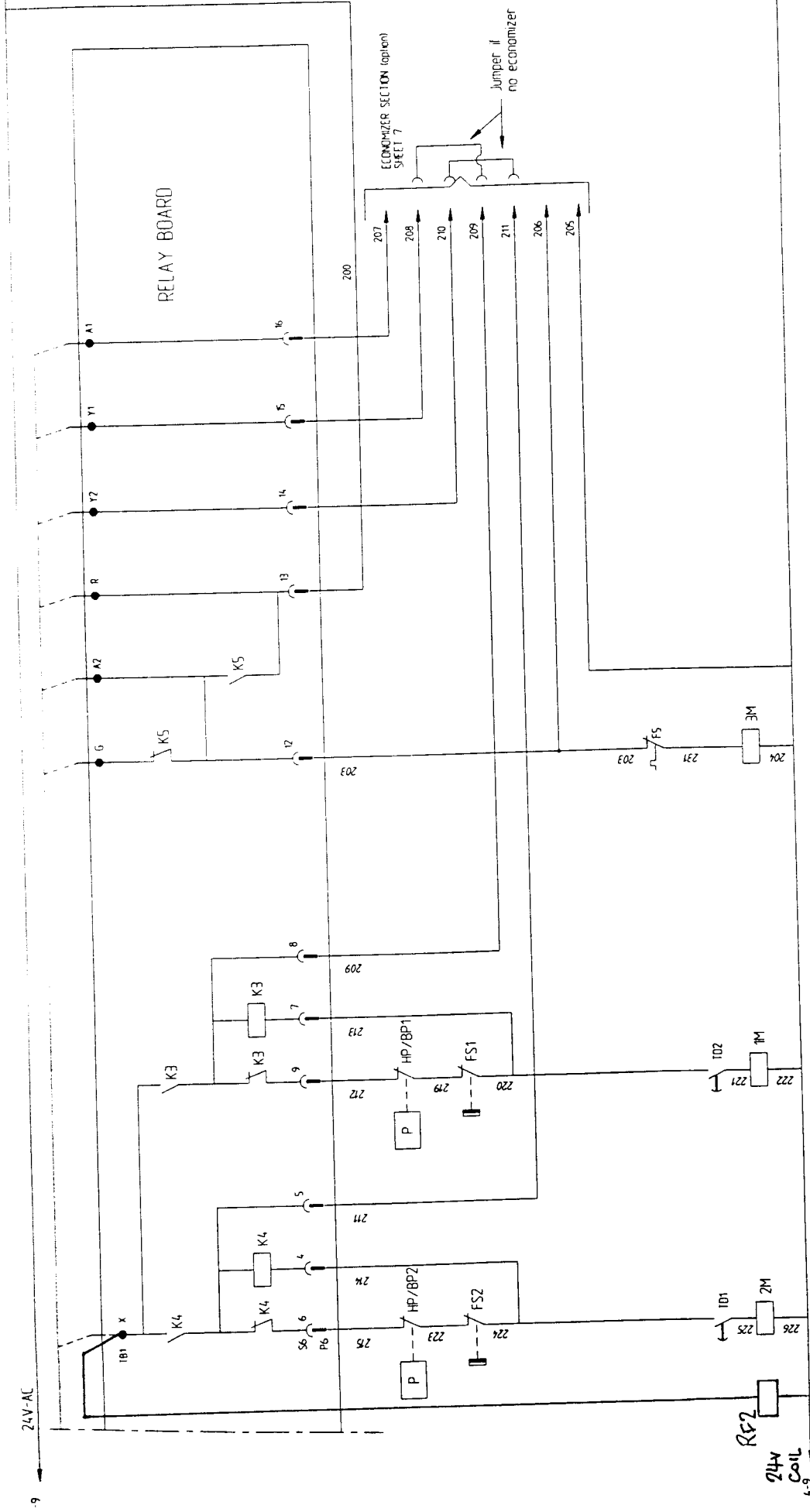
Automatic reset installed on the SATRONIC



220V - 0

Unit reference TYPE DIG 090 (reset) CONTROL CURRENT	Size A/1	Scale Drawing by SJ Date 01/01/96	Sheet number 05	Rev 011
York Systems INTERNATIONAL		Drawing reference DIG 090		

0	1	2	3
COMPRESS 2 / COND 2		COMPRESS 1 / COND 1	
EVAI/AN			



no 2-6  
no 2-6  
no 2-6

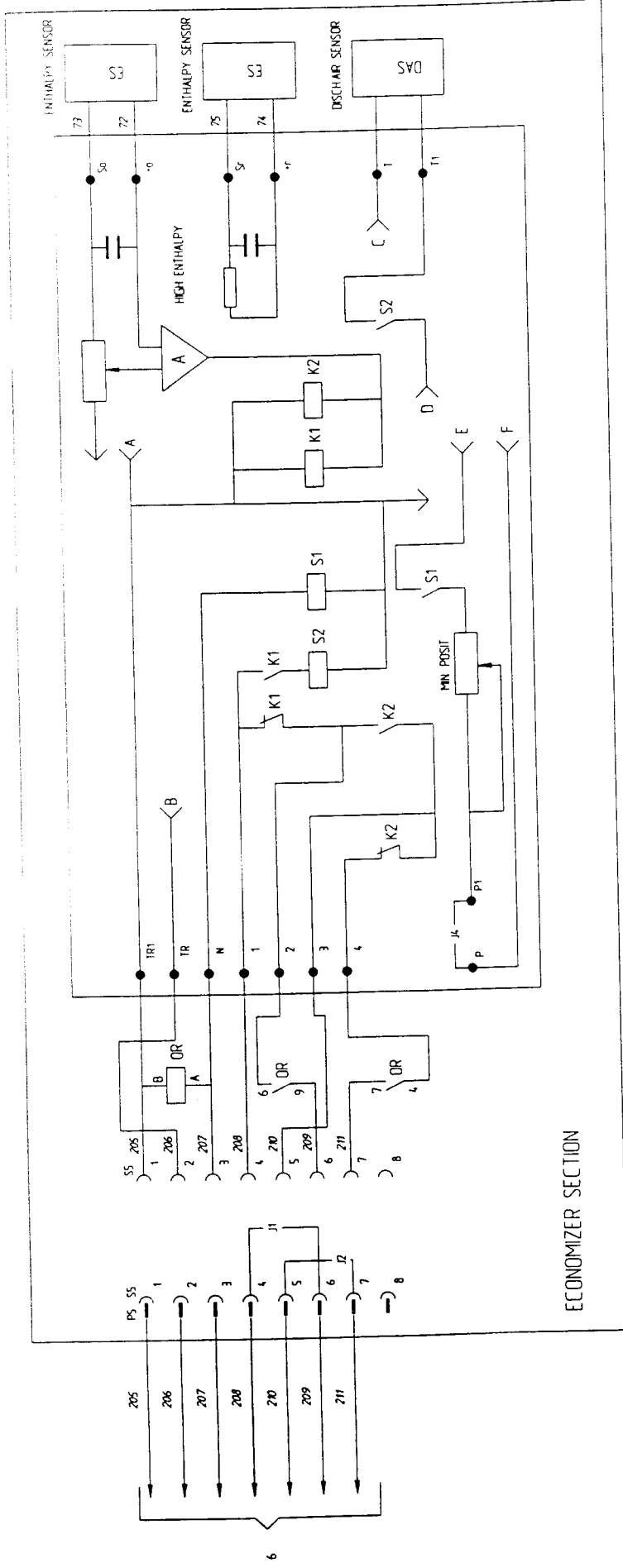
3x no 2-1  
2x no 3-1

3x no 2-3  
2x no 3-2

Unit reference TYPE DIG 090 (reset) CONTROL CURRENT		Size A4	
Scale Drawing by SJ Date 01/01/96		Drawing reference DIG 090	
Sheet number 06		Rev CE 1	







ECONOMIZER SECTION

Unit reference TYPE DIG 090 (reset) LUNDAK CURRENT		Scale Drawing by SJ Date 01/01/96	Drawing reference DIG 090	Sheet number 07	Rev CE 1
--	--	---	------------------------------	--------------------	-------------



Size  
A4

ECONOMIZER SECTION (option)