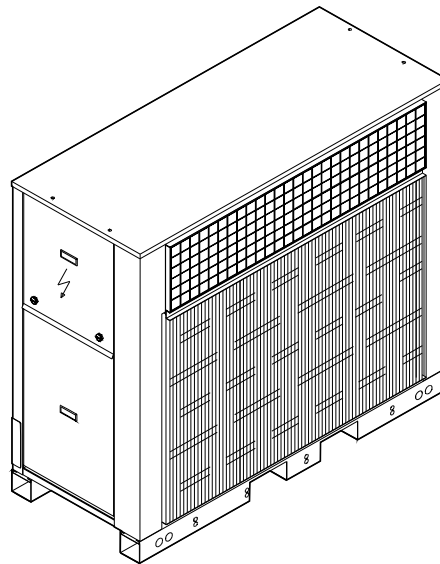




BY JOHNSON CONTROLS

VCH Spare Parts Manual



Spare Parts Manual

Ref.: N-40381_EN 0511



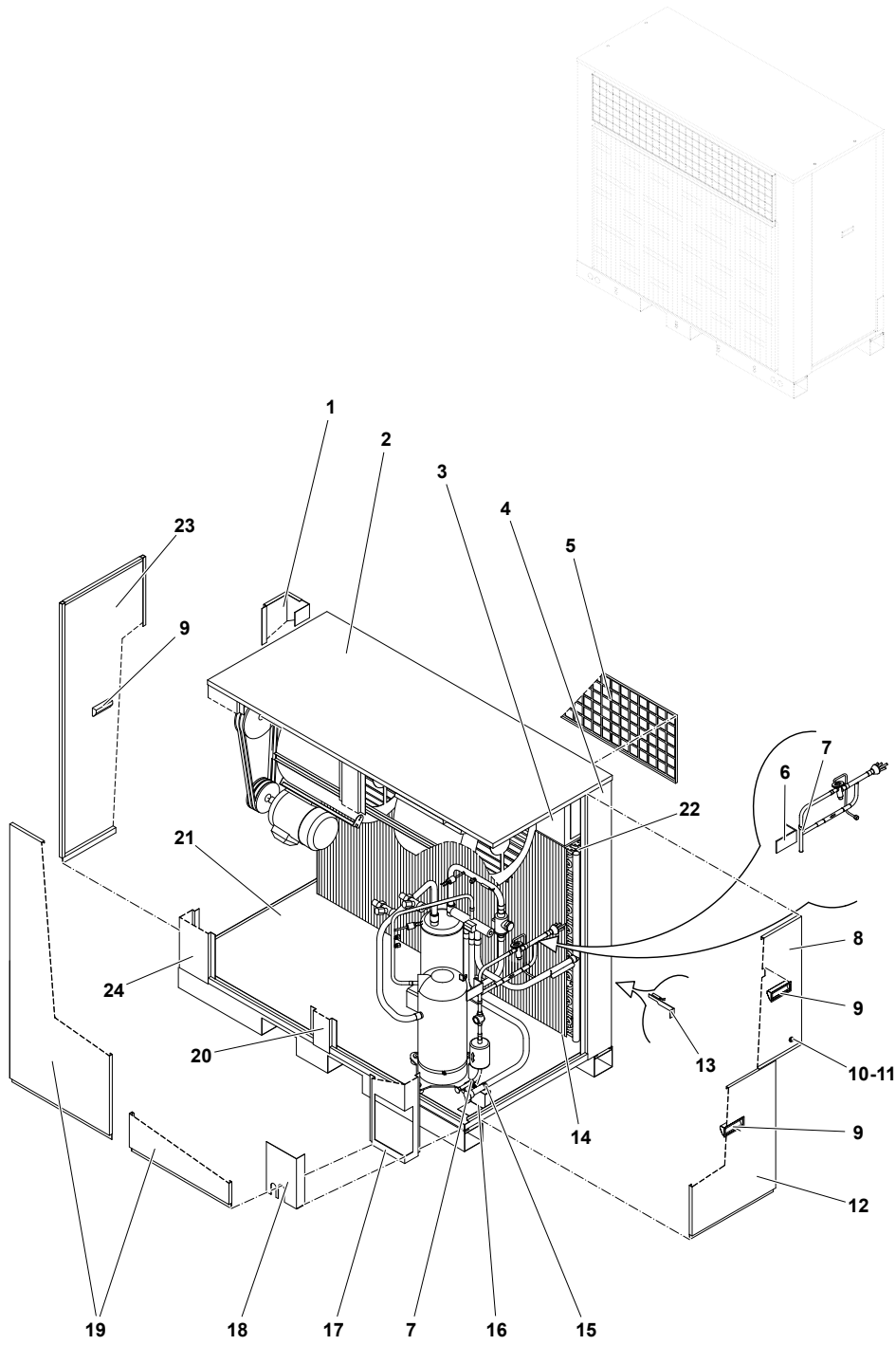
Index

1	Outdoor assembly.....	1
2	Cooling circuits and coils.....	7
3	Electricity.....	12
4	Ventilation.....	16

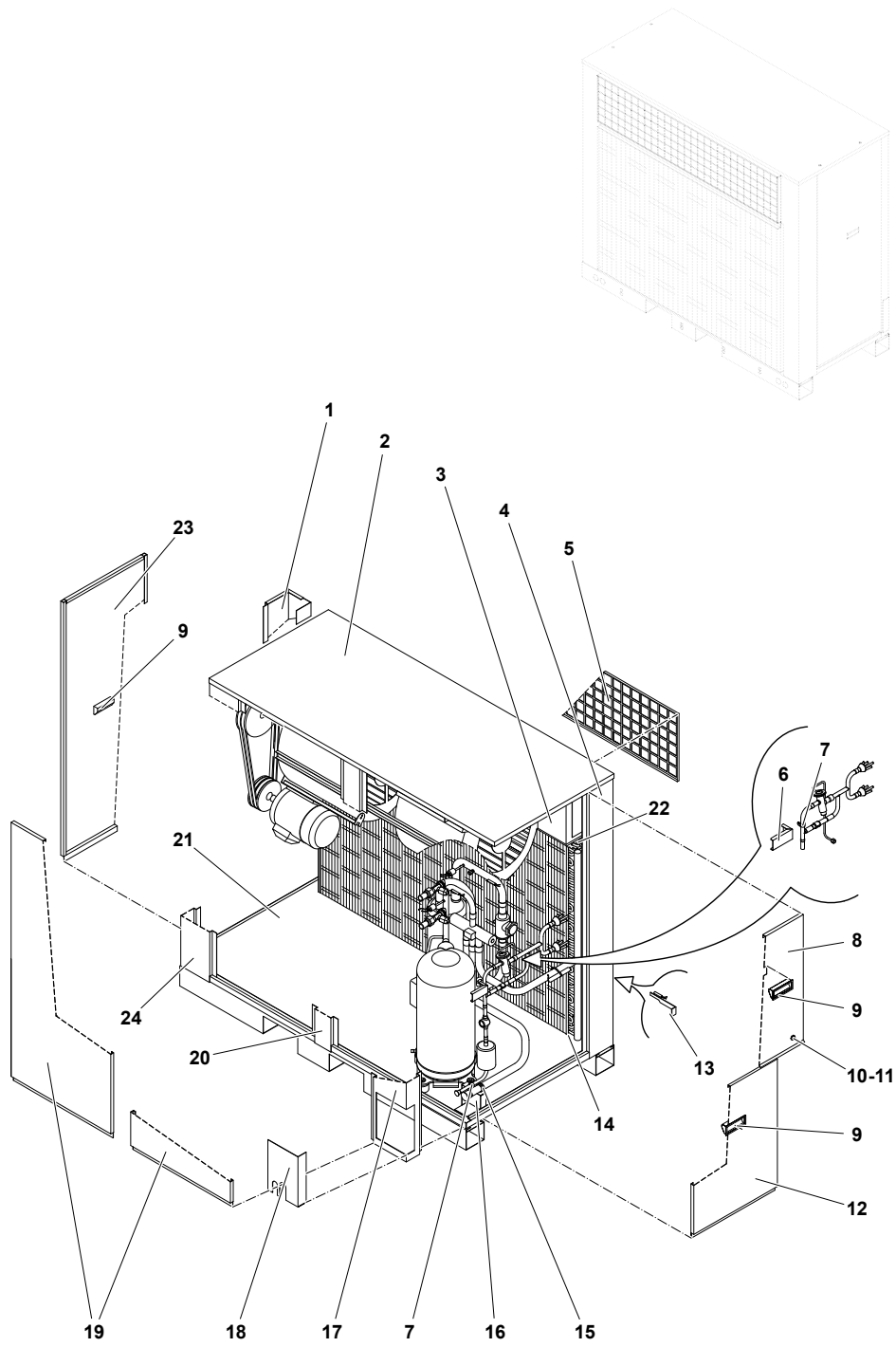
1

Outdoor assembly

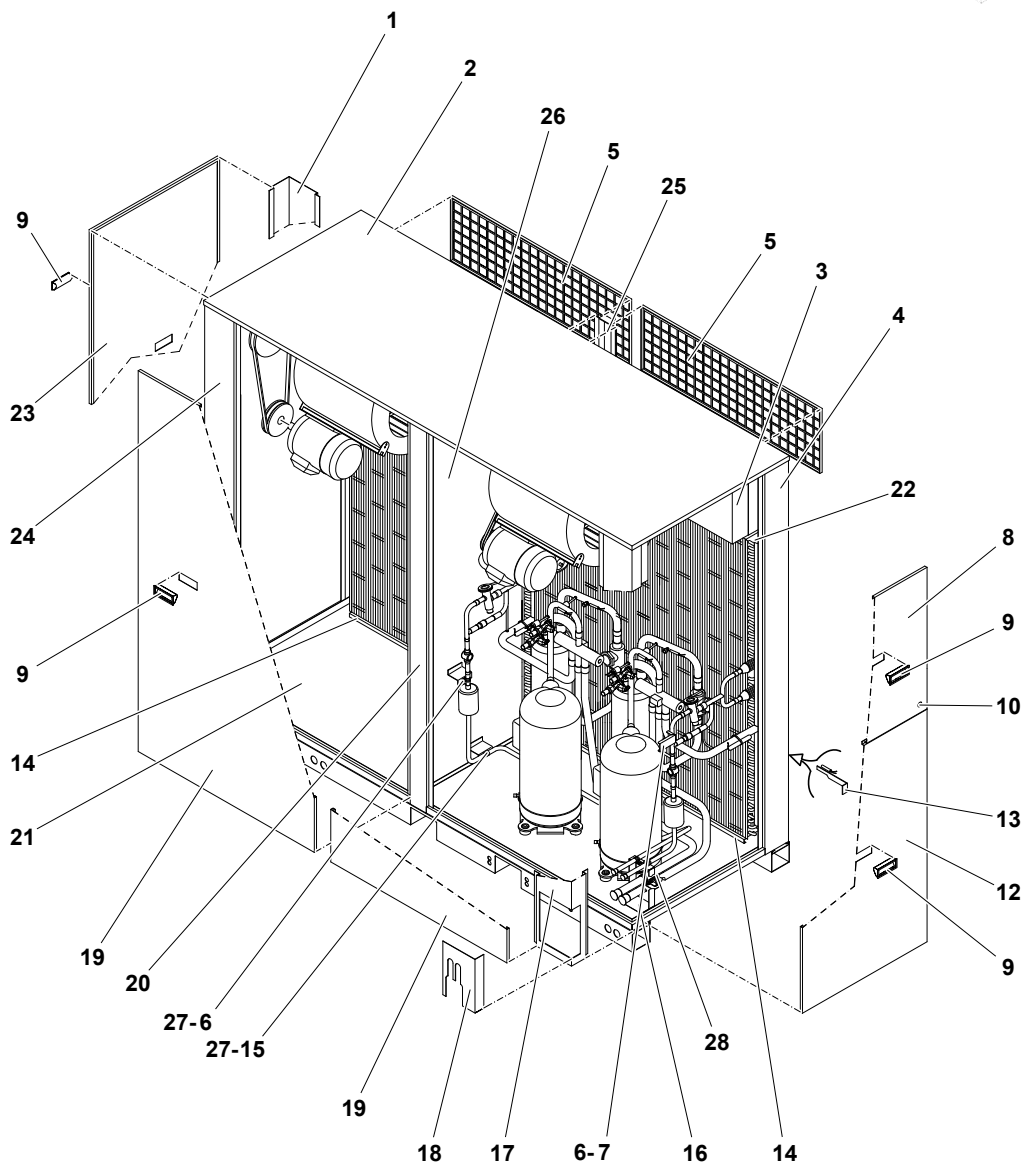
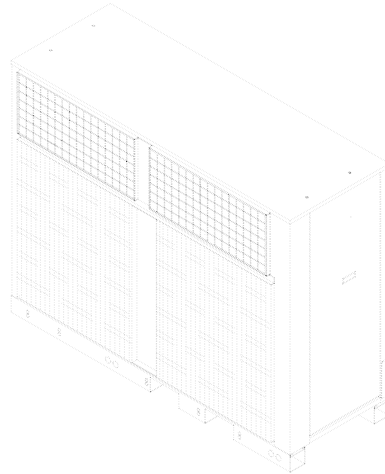
VCH-20A



VCH-25A/30A/40A



VCH-45A/60A/75A/90A



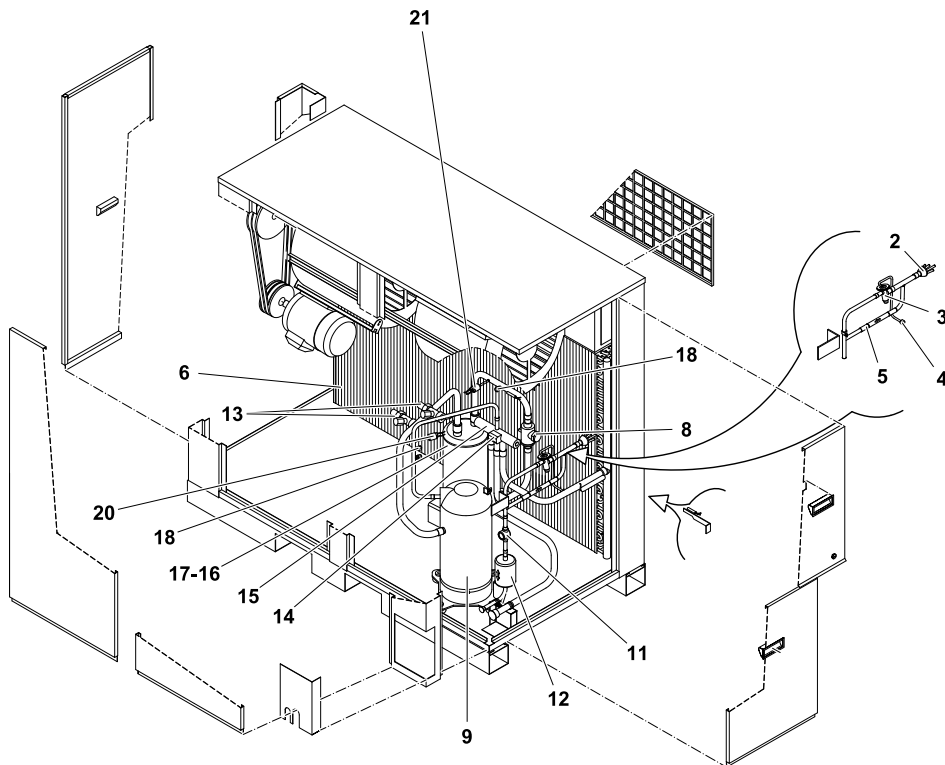
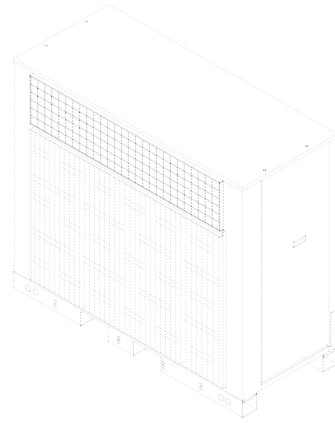
Pos.	Part	20A	25A	30A	40A	45A	60A	75A	90A
1	Left-hand rear edge	402738	402738	404505	404505	392392	392392	395291	395291
2	Upper panel as- sy.	402981	402981	404477	404477	392376	392376	392373	392373
2	Upper panel as- sy. vertical air outlet	–	–	–	–	412125	412125	411894	411894
3	Fan plenum as- sembly	402740	402740	404478	404478	392375	392375	395255	395255
4	Right-hand rear edge	402739	402739	404506	404506	392393	392393	395292	395292
5	Fan grille cover	403005	403005	404212	404212	392199	392199	374769	374769
5	Fan grille cover vertical air outlet	–	–	–	–	375587	375587	437893	437893
6	Expansion as- sembly support	402692	402692	404178	404178	394648	394648	392187	392187
7	Clamp	369011	369011	369011	369011	369011	369011	369011	369011
8	Upper side pan- el	402679	402679	404510	404510	392397	392397	392387	392387
9	Carry handle	369980	369980	369980	369980	369980	369980	369980	369980
10	Lock	369217	369217	369217	369217	369217	369217	369217	369217
11	Handle	369213	369213	369213	369213	369213	369213	369213	369213
12	Bottom right- hand side panel	402982	402982	404507	404507	392394	392394	392385	392385
13	Probe support assembly	379625	379625	379625	379625	379625	379625	379625	379625
14	Lower coil pro- tector	403003	403003	404315	404315	392235	392235	392210	392210
15	Clamp	369014	369006	369006	369006	369014	369014	369014	369014
16	Pipe support	402658	402658	404303	404303	394825	394825	394825	394825
17	Front right-hand edge	402659	402659	404502	404502	392390	392390	395289	395289
18	Pipe duct plate	403004	403004	404321	404321	394824	394824	394824	394824
19	Front right and left-hand panel	402984	402984	404509	404509	392396	392396	395293	395293
20	Front centre edge	402673	402673	404503	404503	392389	392389	395288	395288
21	Base assembly	402640	402640	404484	404484	392381	392381	392377	392377
22	Upper coil pro- tector	403002	403002	404314	404314	370355	370355	394817	394817
23	Left-hand side panel	402983	402983	404508	404508	392395	392395	392386	392386
24	Front left-hand edge	402676	402676	404504	404504	392391	392391	395290	395290
25	Central coil sup- port	–	–	–	–	392218	392218	394820	394820
26	Dividing plate	–	–	–	–	394973	394973	392252	392252

Pos.	Part	20A	25A	30A	40A	45A	60A	75A	90A
27	Pipe support 2	-	-	-	-	375660	375660	375660	375660
28	Clamp	-	-	-	-	369001	369001	369001	369001

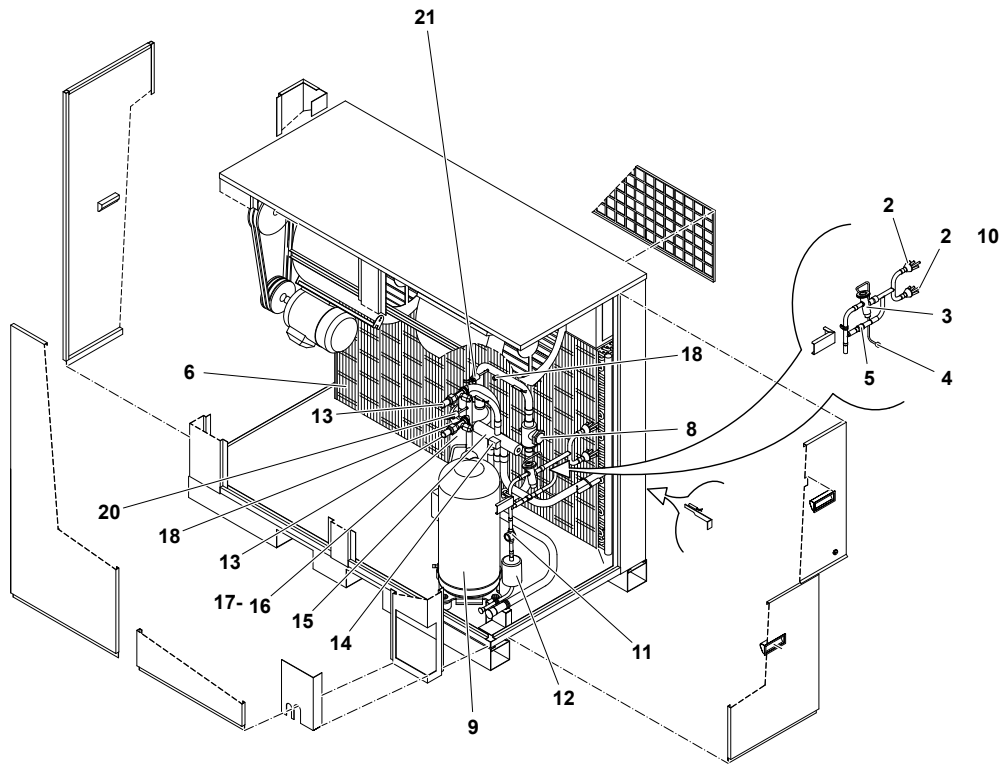
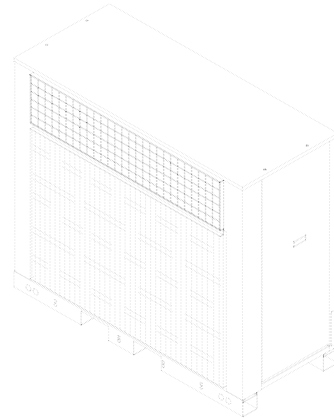
2

Cooling circuits and coils

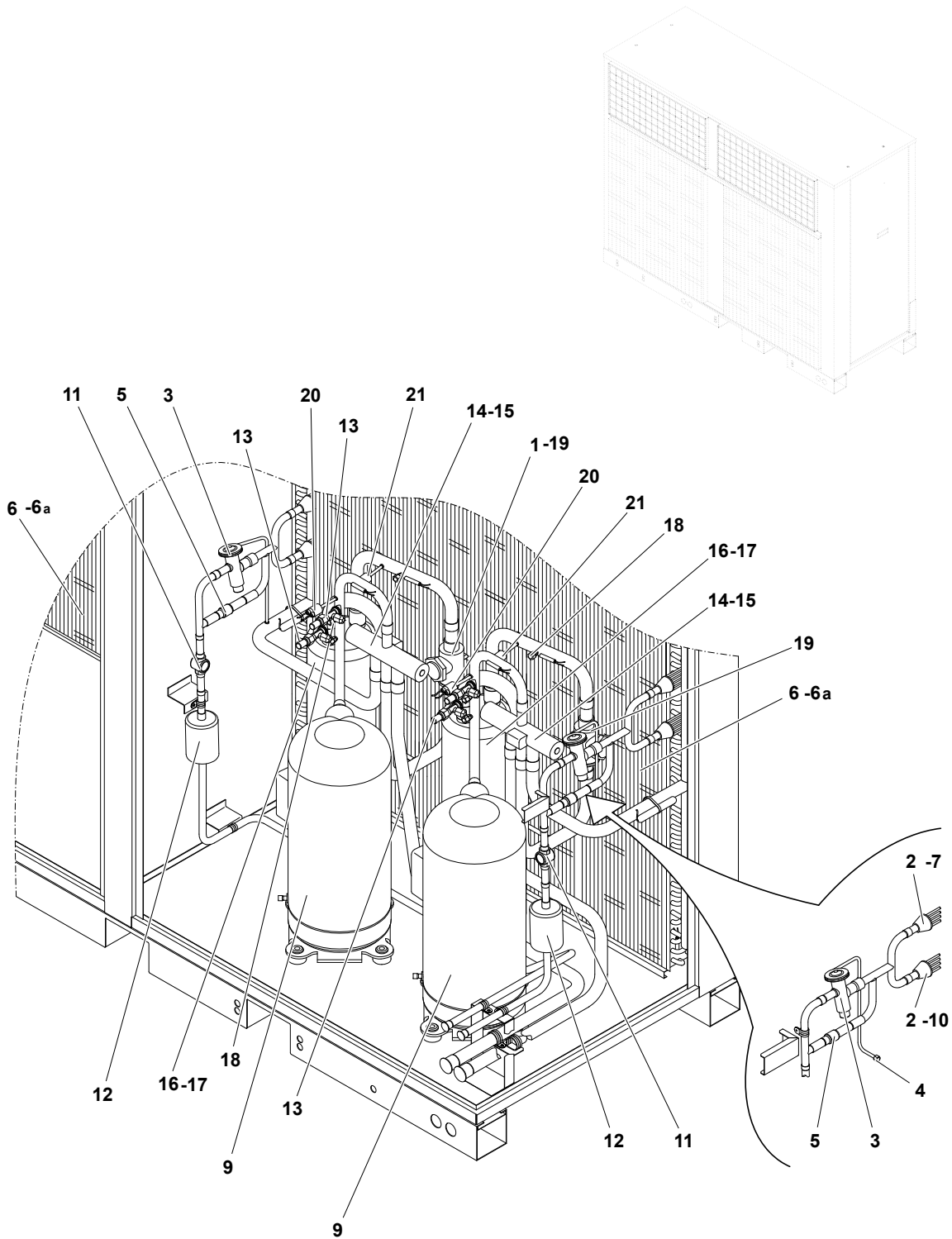
VCH-20A



VCH-25A/30A/40A



VCH-45A/60A/75A/90A

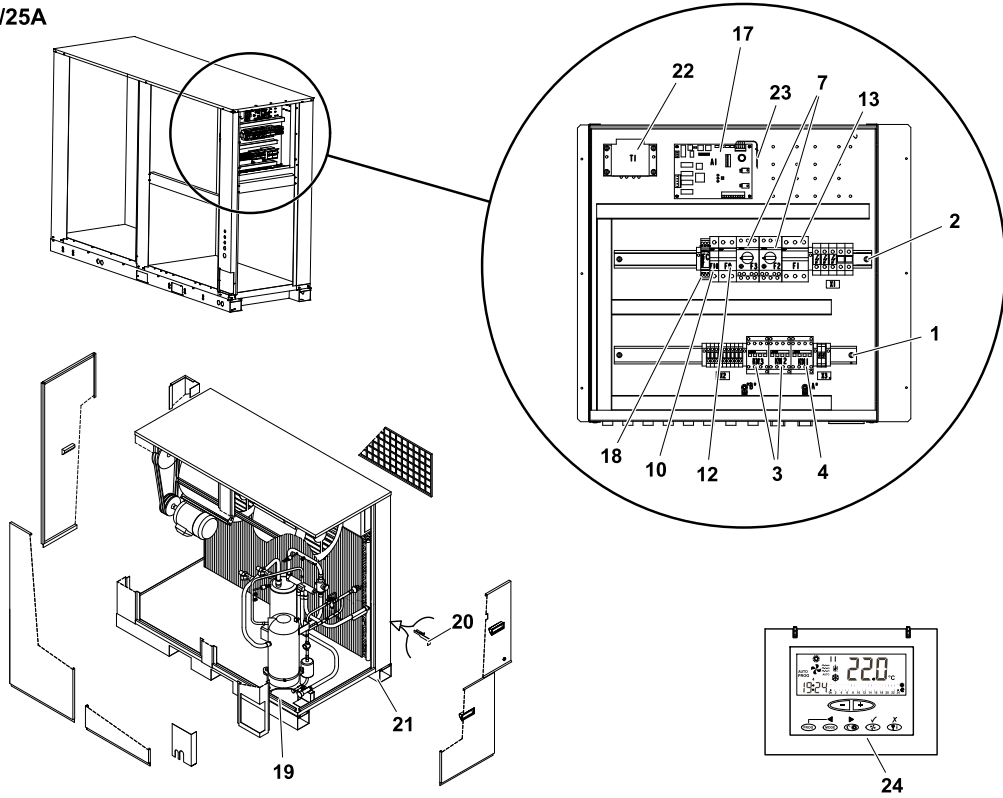


Pos.	Part	20A	25A	30A	40A	45A	60A	75A	90A
1	1 3/8" ball valve	-	-	-	-	-	-	371833	371833
2	4-pipe distributor	371947	371947	-	-	371947	371947	-	-
3	Expansion valve	370060	370060	370058	370053	370057	370058	370053	370053
4	1/4" bronze nut	368991	368991	368991	368991	368991	368991	368991	368991
5	One-way valve	370022	370022	370023	370023	370022	370023	370023	370023
6	Blue-Fin outdoor coil assy.	432578	432578	432586	432586	432594	432594	432600	432600
6	Cu-Cu outdoor coil assy.	428488	428488	428494	428494	428500	428500	428383	428383
6	Outdoor coil assy.	402986	402986	404470	404470	392291	392291	395232	395232
6a	Blue-Fin outdoor coil assy. 2	-	-	-	-	434567	434567	433205	433205
6a	Cu-Cu outdoor coil assy. 2	-	-	-	-	433125	433125	433126	433126
6a	Outdoor coil assy. 2	-	-	-	-	392292	392292	395231	395231
7	5/8" distributor assembly with 7 pipes	-	-	-	-	-	-	371673	371673
8	7/8" ball valve	371694	-	-	-	-	-	-	-
9	Compressor	369272	369269	369270	539271	369269	369270	539271	539272
10	5/8" distributor assembly with 8 pipes	-	-	371676	371676	-	-	371676	371676
11	Liquid sight glass	369579	369579	369585	369585	369579	369585	369585	369585
12	Dryer filter	369614	369614	369615	369615	369614	369615	369615	369615
13	Service valve	391983	391983	391983	391983	391983	391983	391983	391983
14	4-way valve coil	369167	369167	369167	369167	369167	369167	369167	369167
15	4-way valve	370012	370013	370013	370013	370013	370013	370016	370016
16	Rubber accumulator fixture support	369910	369910	369910	369910	369910	369910	369910	369910
17	Suction accumulator	368759	368757	368757	368757	368757	368757	368757	368757
18	Stem valve	368812	368812	368812	368812	368812	368812	368812	368812
19	1/8" ball valve 1	-	371843	371843	371843	371843	371843	-	-
20	High pressure switch	369823	369823	369823	369823	369823	369823	369823	369823
21	Low pressure switch	369824	369824	369824	369824	369824	369824	369824	369824

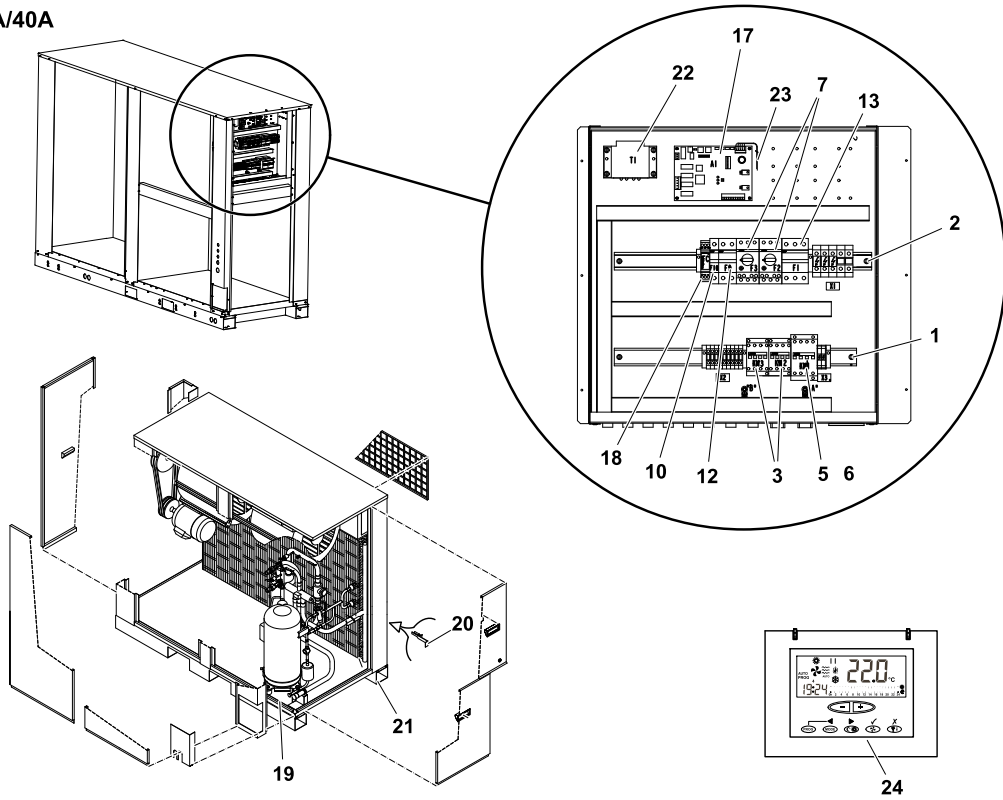
3

Electricity

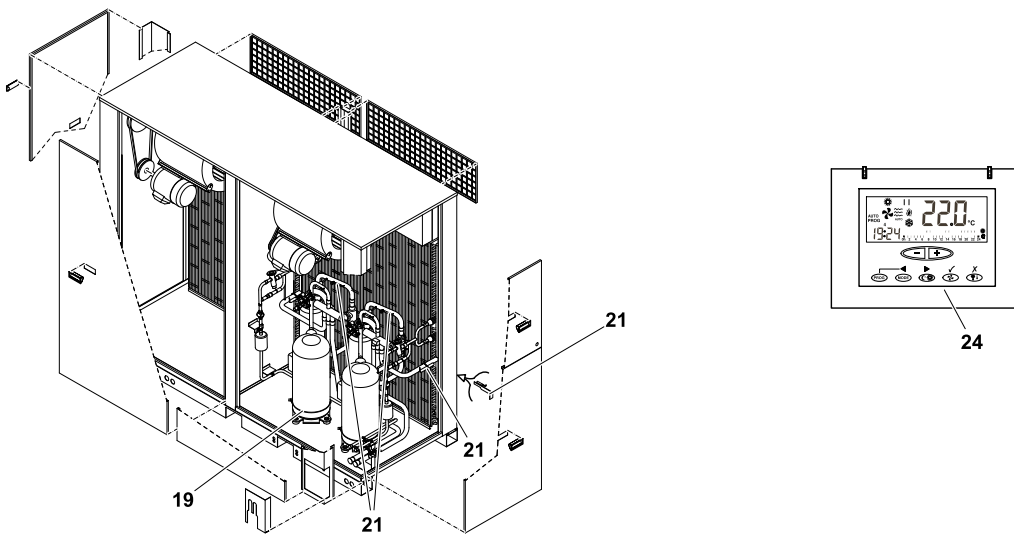
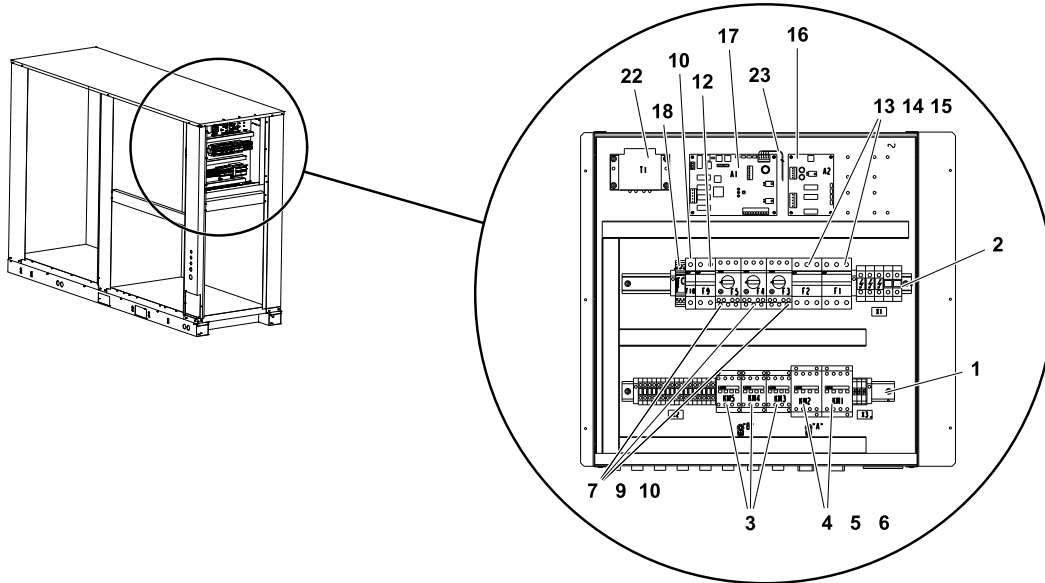
VCH-20A/25A



VCH-30A/40A



VCH-45A/60A/75A/90A

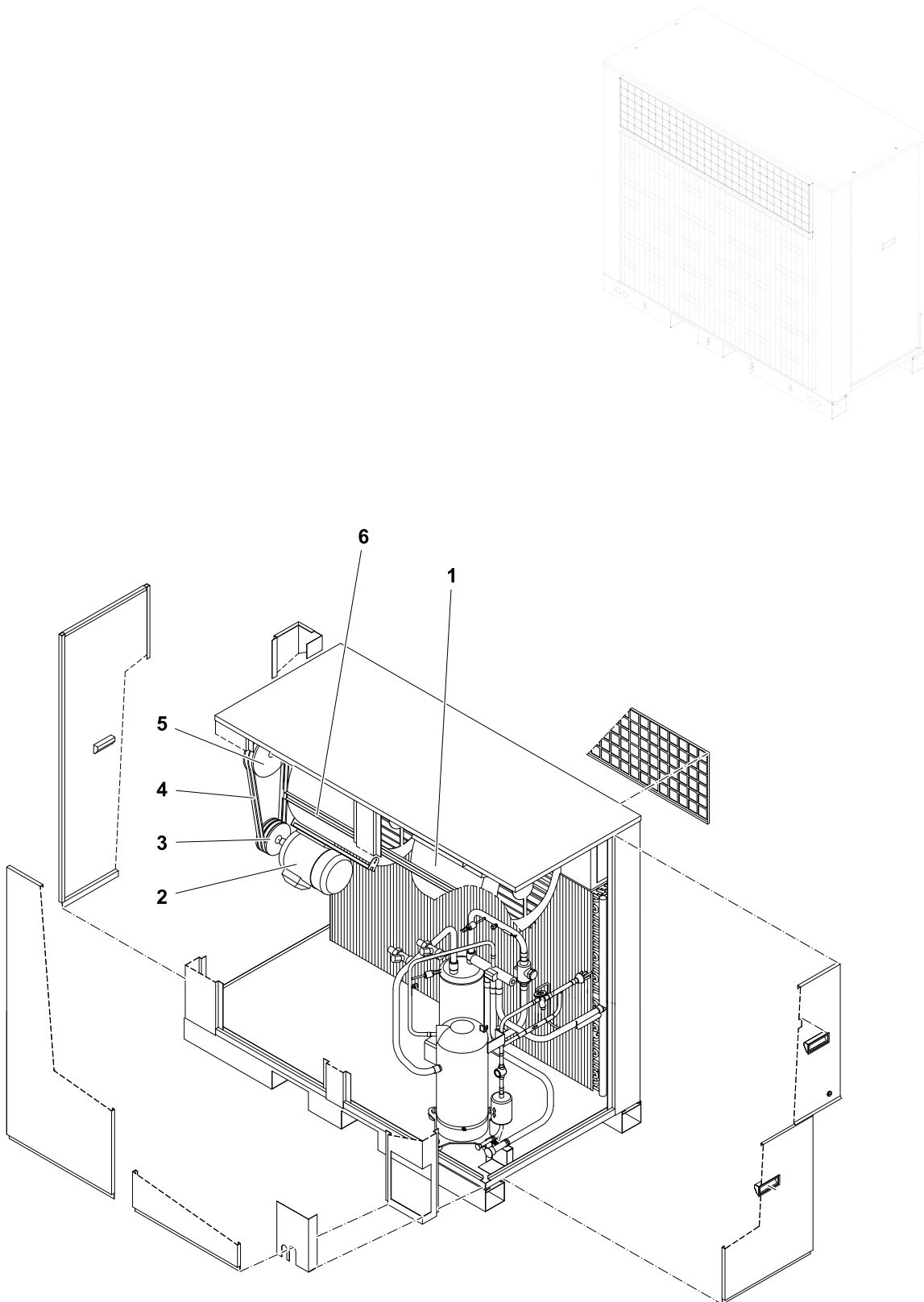


Pos.	Part	20A	25A	30A	40A	45A	60A	75A	90A
1	Electric switching strip	399248	399248	399248	399248	369875	369875	369875	369875
2	Electric power strip	369877	369877	369877	369877	369874	369874	369874	369874
3	Contactora A9 30.01 24V	371055	371055	371055	371055	371055	371055	371055	371055
4	Contactora A16 30.01 24V	371059	371059	-	-	371059	-	371059	371059
5	Contactora A26 30.01 24V	-	-	371063	-	-	371063	-	-
6	Contactora A30 30.01 24V	-	-	-	371067	-	-	371067	371067
7	MS116-4+HKF1-11 motor trip switch	371091	371091	371091	371091	371091	-	-	-
8	Motor trip switch MS116-6,3+HKF1-1 1	-	-	-	-	371092	371092	371092	-
9	Motor trip switch MS116-10+HKF1-1 1	-	-	371094	371094	-	-	371094	371094
10	1-pole 3A circuit breaker	371102	371102	371102	371102	-	-	-	-
11	1-pole 4A circuit breaker	-	-	-	-	371101	371101	371101	371101
12	2-pole 2A circuit breaker	371118	371118	371118	371118	371118	371118	371118	371118
13	3-pole 16A circuit breaker	371113	371113	-	-	371113	-	-	-
14	3-pole 25A circuit breaker	-	-	371109	-	-	371109	-	-
15	3-pole 32A circuit breaker	-	-	-	371110	-	-	371110	371110
16	YKLON compressor board 2	-	-	-	-	371183	371183	371183	371183
17	YKN2OPEN board	403986	403986	403986	403986	403986	403986	403986	403986
18	Phase control relay	371082	371082	371082	371082	371082	371082	371082	371082
19	Carter 220/240 V-90W heater	371278	371275	371275	371275	371275	371275	371275	371275
20	2200 mm probe	369950	369950	369950	369950	-	-	-	-
21	3500 mm probe	369951	369951	369951	369951	369951	369951	369951	369951
22	230-24V transformer	371338	371338	371338	371338	399945	399945	399945	399945
23	Switching cables	391763	391763	391763	391763	391719	391719	391719	391719
24	DPC-1 thermostat	S603786044							

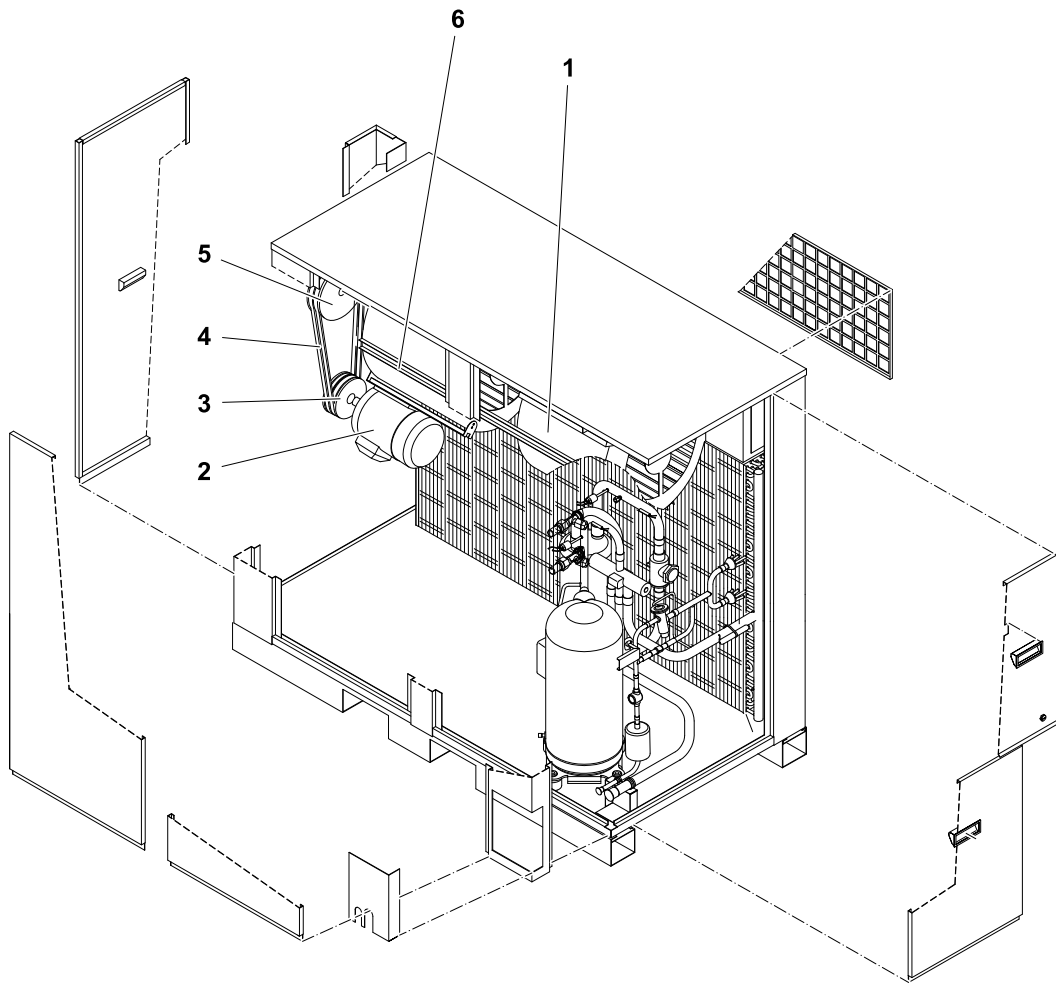
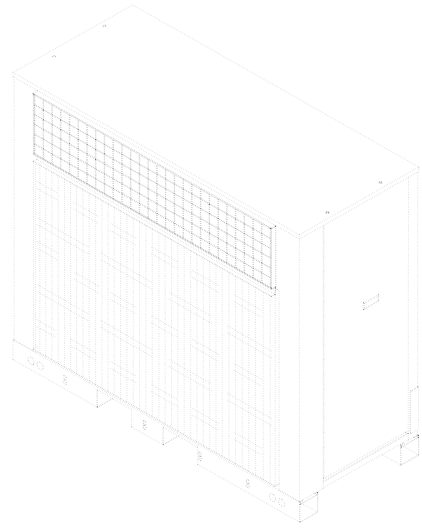
4

Ventilation

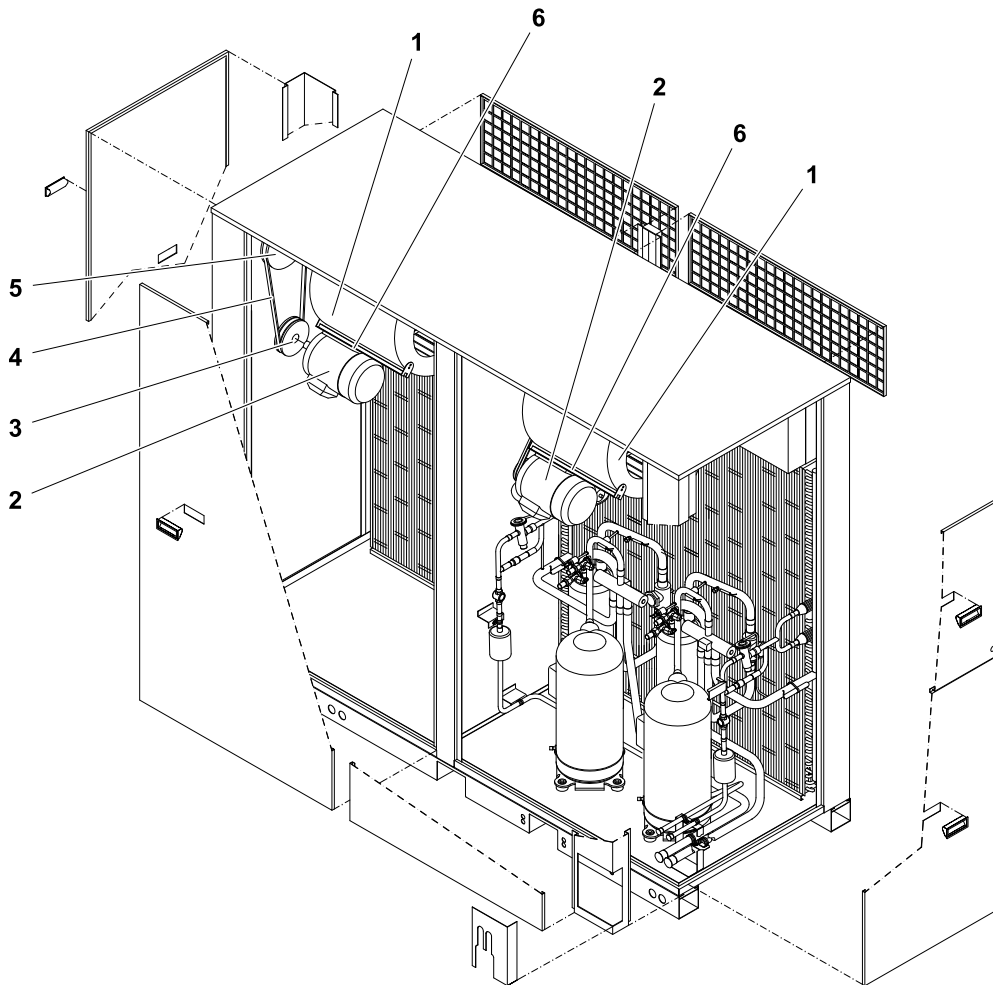
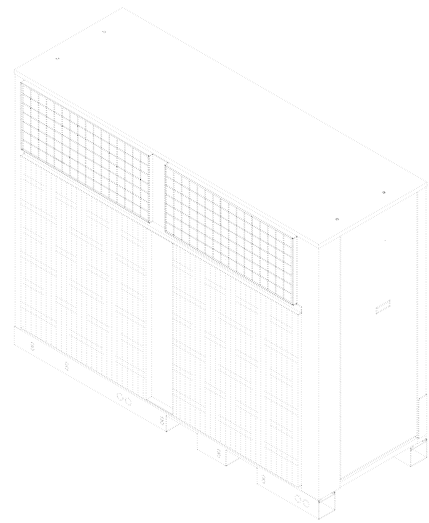
VCH-20A



VCH-25A/30A/40A



VCH-45A/60A/75A/90A



Pos.	Part	20A	25A	30A	40A	45A	60A	75A	90A
1	Centrifugal fan	370078	370078	370079	370079	370075	370075	370075	370075
2	Fan motor	371199	371199	371202	371202	371193	371193	371200	371200
3	Motor pulley	369794	369794	369785	369785	369794	369794	369785	369785
4	Transmission belts	370144	370144	370145	370145	370147	370148	370146	370146
4	Vertical air outlet transmission belts	-	-	-	-	370149	370147	370148	370148
5	Fan pulley	369795	369795	369786	369786	394176	369791	369786	369786
6	Fan motor support	369921	369921	369919	369919	369922	369922	369922	369922