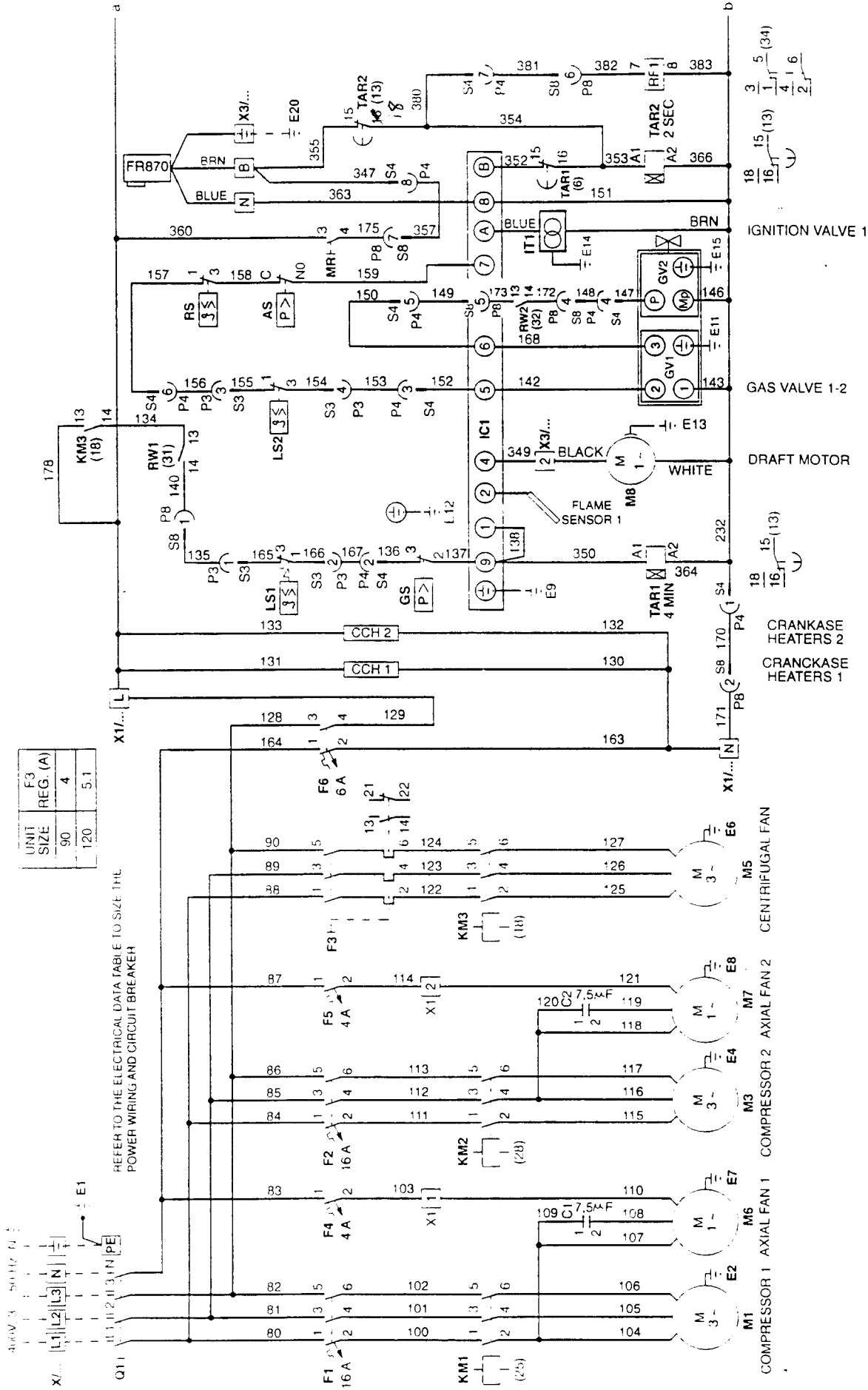
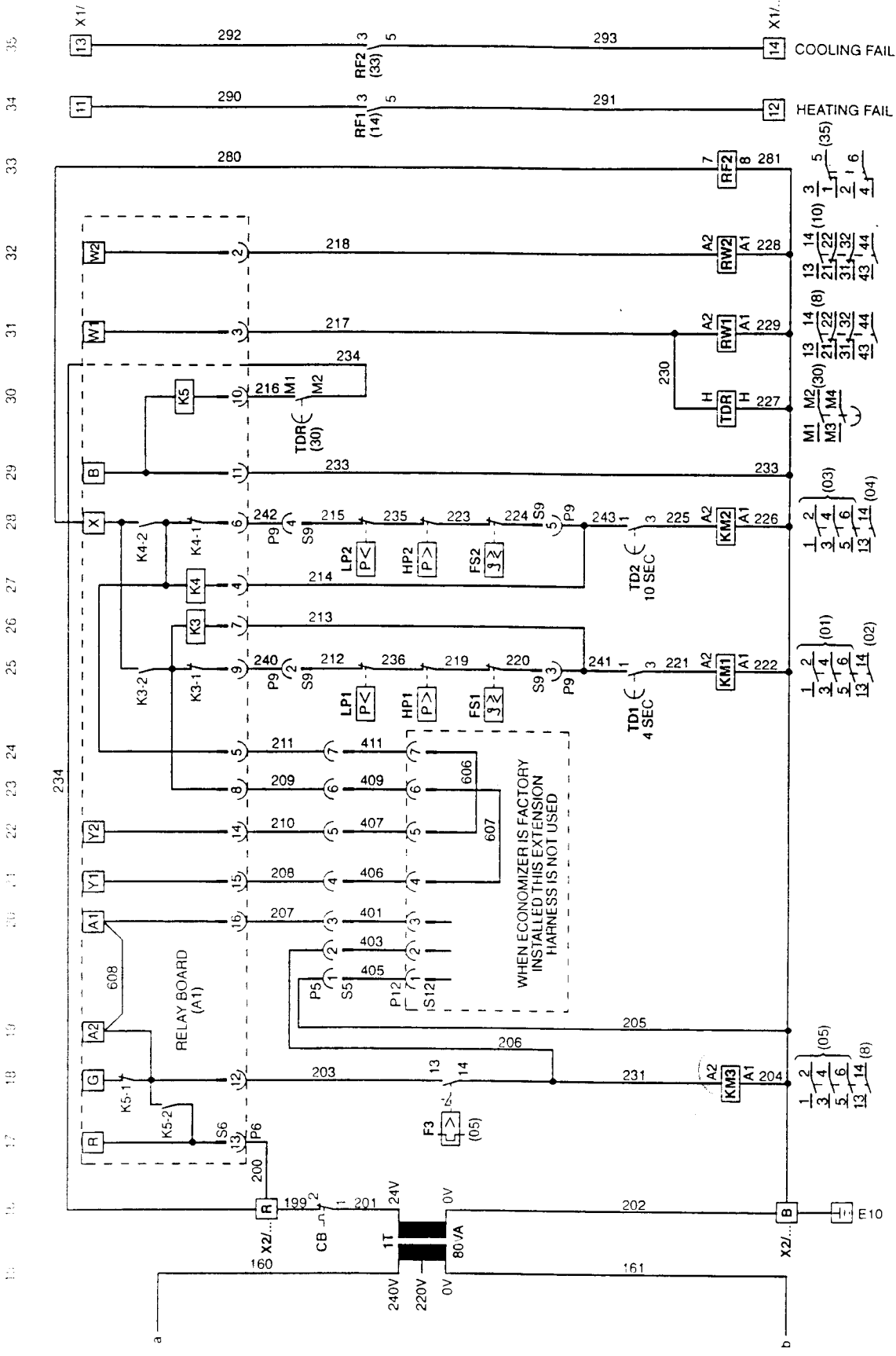


UNIT SIZE	F3 REG. (A)
90	4
120	5.1

REFER TO THE ELECTRICAL DATA TABLE TO SIZE THE POWER WIRING AND CIRCUIT BREAKER

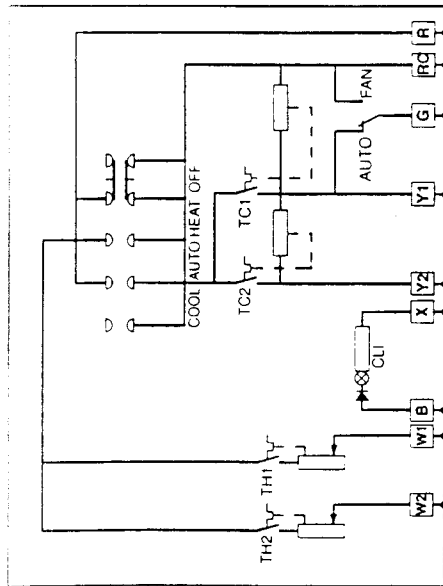


I-1809-1/a (1 of 3) ESP  
D2IG90N16550  
D2IG120N20050

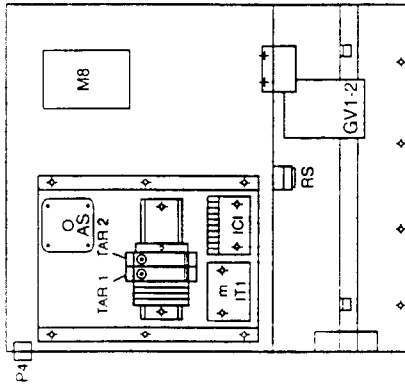


I-1809-2/a (2 of 3) ESP  
 D2IG90N16550  
 D2IG120N20050

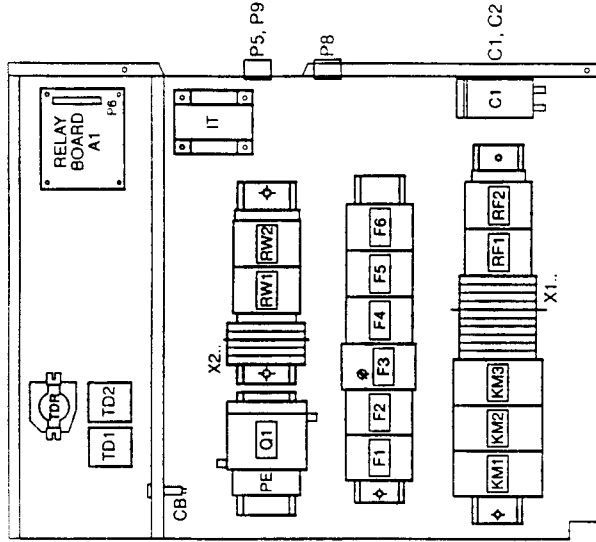
ROOM THERMOSTAT



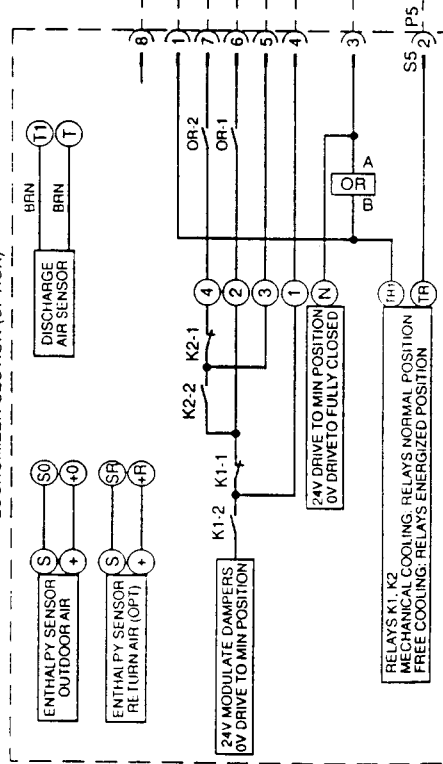
GAS COMPONENT MAP



COMPONENT MAP



ECONOMIZER SECTION (OPTION)



- PE - EARTH
- O1 - POWER DISCONNECT SWITCH
- RF1 - RELAY HEATING FAIL
- RF2 - RELAY COOLING FAIL
- RS - BURNER ASSEMBLY HEATSTAT
- RW1 AND RW2 - RELAY, 1ST & 2ND STAGE HEAT
- TAR1 - TIME DELAY RELAY GAS RESET 4 MIN.
- TAR2 - TIME DELAY RELAY GAS RESET 2 SEC.
- TD1 - TIME DELAY ON MAKE 4 SEC
- TD2 - TIME DELAY ON MAKE 10 SEC
- TDR - TIME DELAY RELAY
- X1 - TERMINAL BLOCK, HIGH VOLTAGE
- X2 - TERMINAL BLOCK, 24 VAC

- T1 - TRANSFORMER 24 VAC SEC
- A1 - RELAY BOARD THERMOSTAT 24 VAC
- AS - SWITCH, AIR PRESSURE
- CB - CIRCUIT BREAKER 24 VAC
- CCH1 + 2 - CRANKCASE HEATER
- CL1 - COMPRESSOR LOCKOUT INDICATOR LIGHT
- F1 AND F2 - CIRCUIT BREAKER, COMPRESSOR
- F3 - CIRCUIT BREAKER, ID BLOWER
- F4 AND F5 - CIRCUIT BREAKER, OD FAN
- F6 - CIRCUIT BREAKER, 220 VAC
- GS - SWITCH, GAS PRESSURE
- HP1 AND HP2 - HIGH PRESSURE CONTROL
- KM1 AND KM2 - CONTACTOR, COMPRESSOR
- KM3 - CONTACTOR, ID BLOWER
- LP1 AND LP2 - LOW PRESSURE CONTROL
- LS1 - LIMIT SWITCH, MANUAL RESET
- LS2 - LIMIT SWITCH, AUTO RESET
- OR - OCCUPIED RELAY
- P3/S3, P4/S4, P8/S8 - CONNECTION GAS CONTROL
- P5/S5, P12/S12 - CONNECTION ECONOMIZER CONTROL
- P6/S6 - CONNECTION RELAY BOARD 24 VAC
- P9/S9 - CONNECTION SAFETY COMPRESSOR

I-1809-3/a (3 of 3) ESP  
D2IG90N16550  
D2IG120N20050