

REPLACEMENT PARTS

Supersedes: SEE BELOW

e 530.27-RP7.1YI (Errata 1) (1095)

SUPERSEDES: 530.27-RP7.1YI (894) Page 1.

1 of 8

NOTE: FOR STYLE "B" MODELS SEE PAGE 8. <

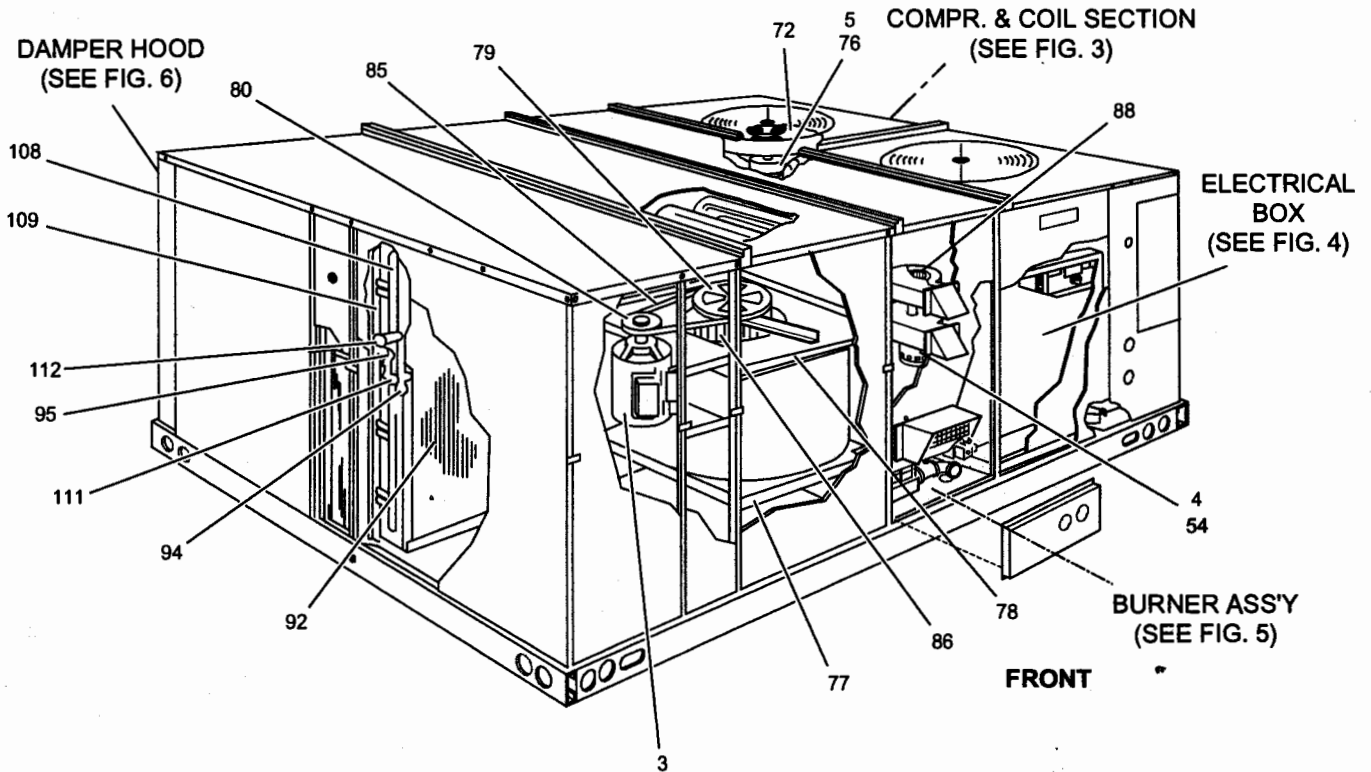
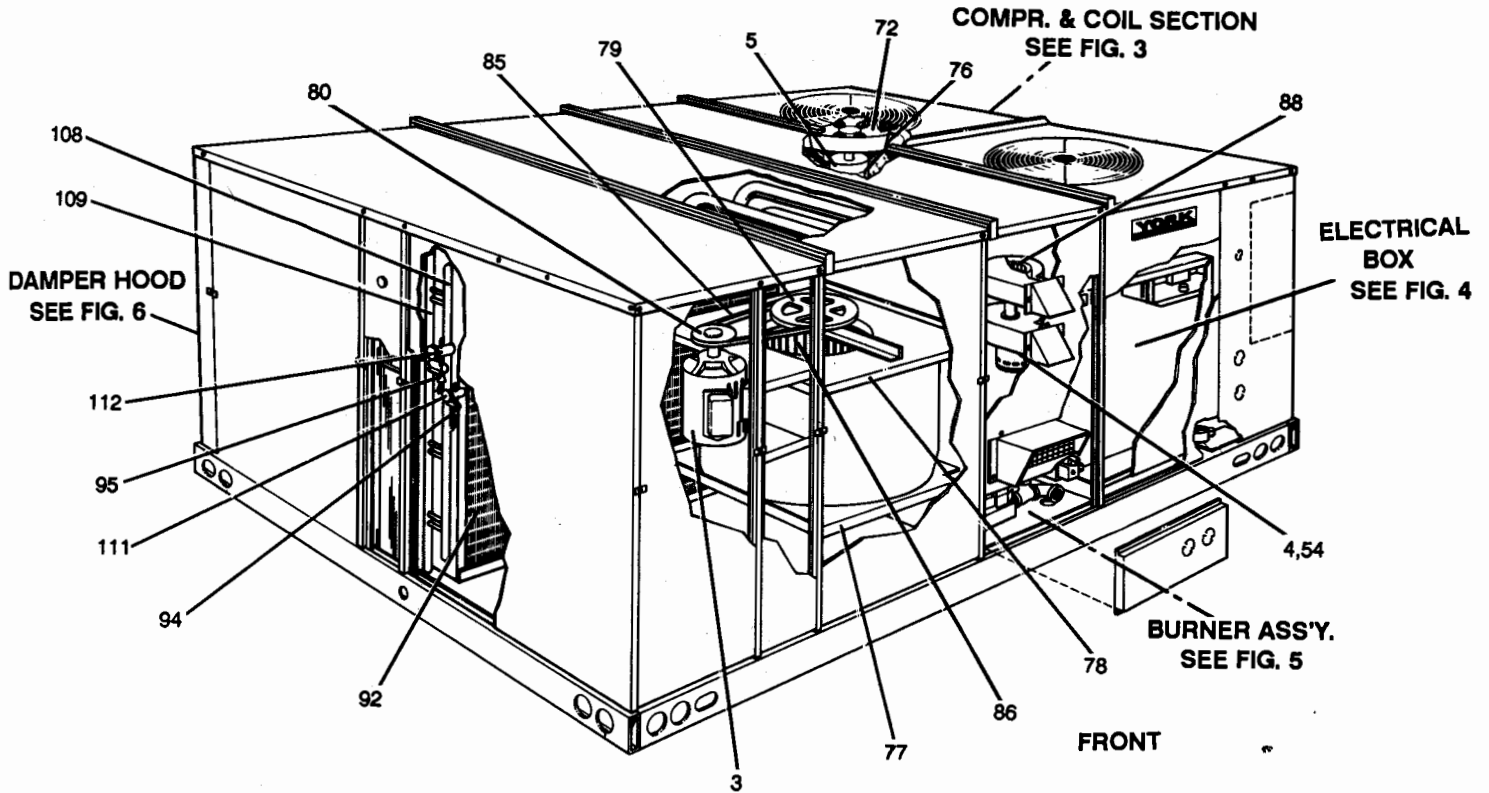


FIG. 1 - SINGLE PACKAGE AIR CONDITIONER

SECTION	FIG	ITEM	DESCRIPTION	D1IG180N32050A
				(8 BURNER)
COMPRESSOR				
	3	1	COMPRESSOR, DUAL HERMETIC (1-REQ'D)	015-02543-705
		2	1A ISOLATOR, RUBBER (6 REQ'D PER UNIT)	028-12342-000
		2	1B SCREW, 5/16-18 HEX WASH. HEAD W/SLEEVE	021-16047-700
	3	2	COMPRESSOR, HERM. (1-REQ'D PER UNIT)	015-02594-705
		2	2A ISOLATOR, RUBBER (4-REQ'D PER UNIT)	028-07772-000
		2	2B SCREW, 5/16-18 HEX WASH. HEAD W/SLEEVE	021-16803-000
MOTORS				
	1	3	MOTOR, BLOWER BELT DRIVE	024-25379-700
	1	4	MOTOR, VENTOR	024-25918-701
	1	5	MOTOR, FAN 380/415V/3/50 (2-REQ'D)	024-25809-700
ELECTRICAL				
	4	6	BOARD, CIRCUIT	031-00652-700
	4	7	CIRCUIT BREAKER [CB]	024-24055-000
	4	8	CONNECTOR, CAP (6 CIRCUIT) [S9]	025-20963-000
	4	9	CONNECTOR, PLUG (6 CIRCUIT) [P9]	025-19670-000
	*	10	CONNECTOR, CAP (9 CIRCUIT) [P4]	025-21191-000
	*	11	CONNECTOR, PLUG (9 CIRCUIT) [P7]	025-21192-000
	*	12	CONNECTOR, CAP (15 CIRCUIT) [S4]	025-20788-000
	*	13	CONNECTOR, PLUG (15 CIRCUIT) [P4 & P11]	025-20918-700
	*	14	CONTACT, PIN (BOX OF 50) (1) [S4 & S9]	025-20533-700
	*	15	CONTACT, SINGLE LEAF [P6]	025-26220-000
	**	16	CONTACT, SOCKET (BOX OF 50) [P7 & P9]	025-19673-700
	*	17	CONTACT, SPLIT PIN (BOX OF 50) (1)	025-20919-700

* NOT SHOWN

(1) USE HAND TOOL #044-02999-700 WHEN APPLYING CONTACT.



Replacement parts are available from local UPG HVAC contractor / dealers or the nearest UPG Distribution Center.

FIG. 1 - SINGLE PACKAGE AIR CONDITIONER

SECTION	FIG	ITEM	DESCRIPTION	D1IG180N32050A
COMPRESSOR				(8 BURNER)
	3	1	COMPRESSOR, DUAL HERMETIC (1-REQ'D)	015-02543-705
	2	1A	ISOLATOR, RUBBER (8 REQ'D PER UNIT)	028-12342-000
	2	1B	SCREW, 5/16-18 HEX WASH.HEAD W/SLEEVE	021-16047-700
	3	2	COMPRESSOR, HERM. (1-REQ'D PER UNIT)	015-02594-705
	2	2A	ISOLATOR, RUBBER (4-REQ'D PER UNIT)	028-07772-000
2	2B	SCREW, 5/16-18 HEX WASH.HEAD W/SLEEVE	021-16803-000	
MOTORS				
	1	3	MOTOR, BLOWER BELT DRIVE	024-25379-700
	1	4	MOTOR, VENTOR	024-25918-701
1	5	MOTOR, FAN 380/415V/3/50 (2-REQ'D)	024-25809-700	
ELECTRICAL				
	4	6	BOARD, CIRCUIT	031-00652-700
	4	7	CIRCUIT BREAKER [CB]	024-24055-000
	4	8	CONNECTOR, CAP (8 CIRCUIT) [S9]	025-20963-000
	4	9	CONNECTOR, PLUG (8 CIRCUIT) [P9]	025-19870-000
	*	10	CONNECTOR, CAP (9 CIRCUIT) [P4]	025-21191-000
	*	11	CONNECTOR, PLUG (9 CIRCUIT) [P7]	025-21192-000
	*	12	CONNECTOR, CAP (15 CIRCUIT) [S4]	025-20788-000
	*	13	CONNECTOR, PLUG (15 CIRCUIT) [P4&P11]	025-20918-700
	*	14	CONTACT, PIN (BOX OF 50) (1) [S4&S9]	025-20533-700
	*	15	CONTACT, SINGLE LEAF [P6]	025-26220-000
*	16	CONTACT, SOCKET (BOX OF 50) [P7&P9]	025-19873-700	
*	17	CONTACT, SPLIT PIN (BOX OF 50) (1)	025-20919-700	

* NOT SHOWN

(1) USE HAND TOOL #044-02999-700 WHEN APPLYING CONTACT.

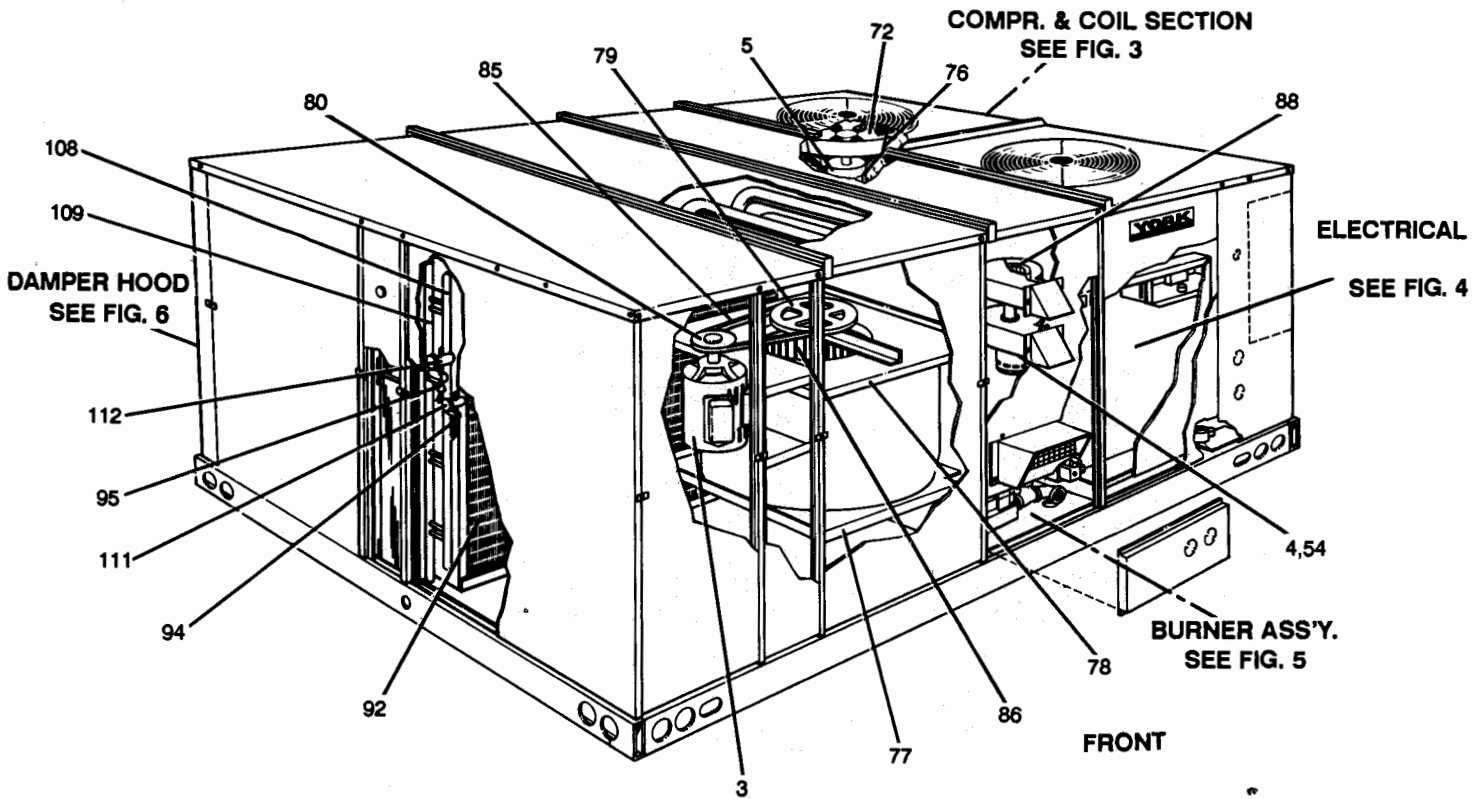


FIG. 1 - SINGLE PACKAGE AIR CONDITIONER

SECTION	FIG	ITEM	DESCRIPTION	D11G180N32050A
ELECTRICAL				(8 BURNER)
	4	18	CONTACTOR (1-REQ'D)	[1M] 024-25311-700
	4	19	CONTACTOR (2-REQ'D)	[4M,5M] 024-25307-700
	4	20	CONTACTOR (2-REQ'D)	[2M,3M] 024-25309-700
	*	21	CONTROL, HIGH PRESSURE (HP)	025-17620-725
	4	22	CONTROL, TEMP.	[TLA] 025-27723-001
	*	23	CONTROL, TEMP.(LOW EVAP.)	[FS1&2] 025-30253-700
	4	24	FUSE, 3.15 AMP	[16FU] 025-30189-700
	4	25	FUSE, DIAZED (9-REQ'D)	025-30195-700
	4	26	FUSEHOLDER	[16FU] 025-29707-700
	*	27	HOUSING, SINGLE LEAF (16 CKT.)	[P6] 025-26364-000
	*	28	OVERLOAD, RELAY	[BOR] 024-25320-700
	4	29	RELAY, HEAT SEQUENCE	[TDR] 024-19082-738
	4	30	RELAY, KUIP (4-REQ'D)	[RY1&2,RW1&2] 024-25324-700
	4	31	RELAY, TIME DELAY (10 SEC.)	[TD2] 024-25333-700
	4	32	RELAY, TIME DELAY (4 SEC.)	[TD1] 024-25332-700
	*	33	SWITCH, LOW PRESSURE (LP)	025-30249-700
	4	34	TERMINAL BLOCK (4-REQ'D)	[TB8,9,10] 025-29702-700
	4	35	TERMINAL BLOCK (6-REQ'D)	[TB2-7] 025-29696-700
	4	36	TERMINAL BLOCK (7-REQ'D)	[TB11,13,14] 025-29683-000
	4	37	TERMINAL BLOCK	[TB12A & B] 025-29763-000
	4	38	TRANSFORMER	[1T] 025-30364-700
GAS HEAT				
	*	39	BRACKET, LIMIT SWITCH	073-13091-700
	5	40	BURNER, GAS (8-REQ'D)	029-20461-000
	*	41	FLUE BOX, BOTTOM & SIDES	063-93849-000
	*	42	GAS COCK (1)	023-16839-700
	7	43	HEAT EXCHANGER 8 TUBE	363-93846-706

* NOT SHOWN

(1) THESE PARTS SHOULD BE OBTAINED FROM U.K. BASILDON. <

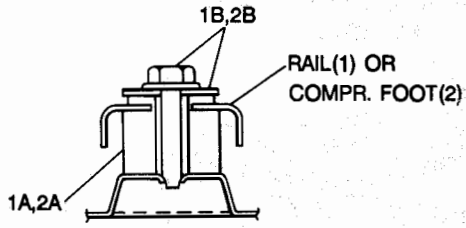


FIG. 2 - COMPRESSOR MOUNTING

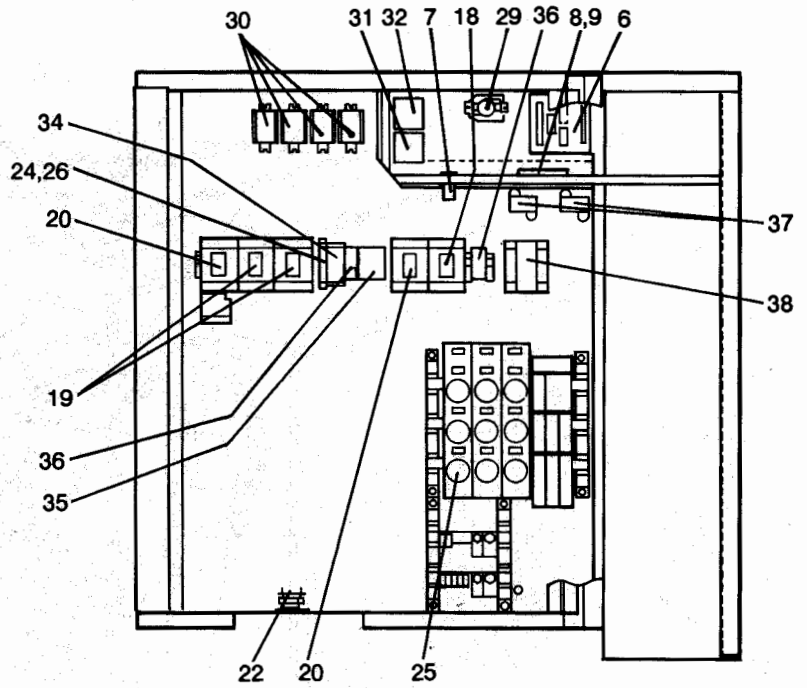


FIG. 4 - ELECTRICAL BOX

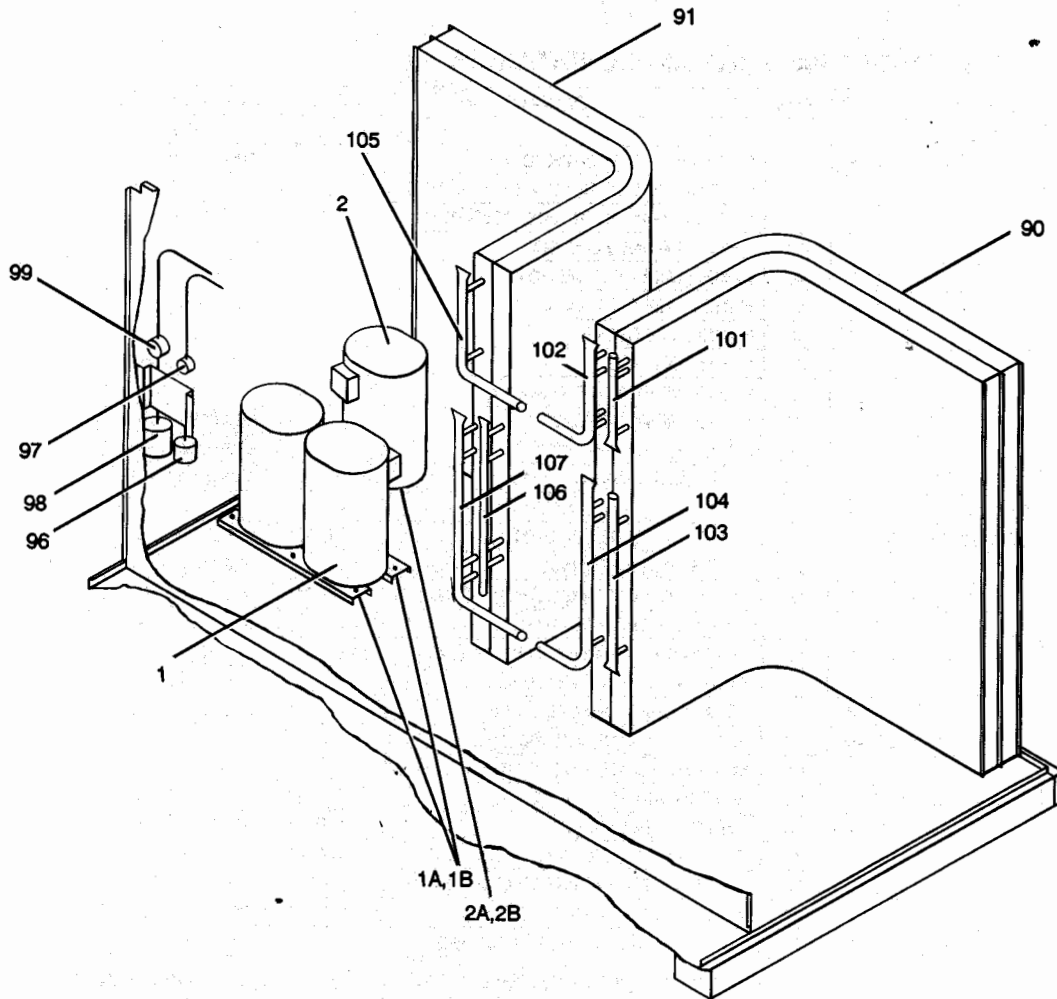


FIG. 3 - COMPRESSOR & COIL SECTION

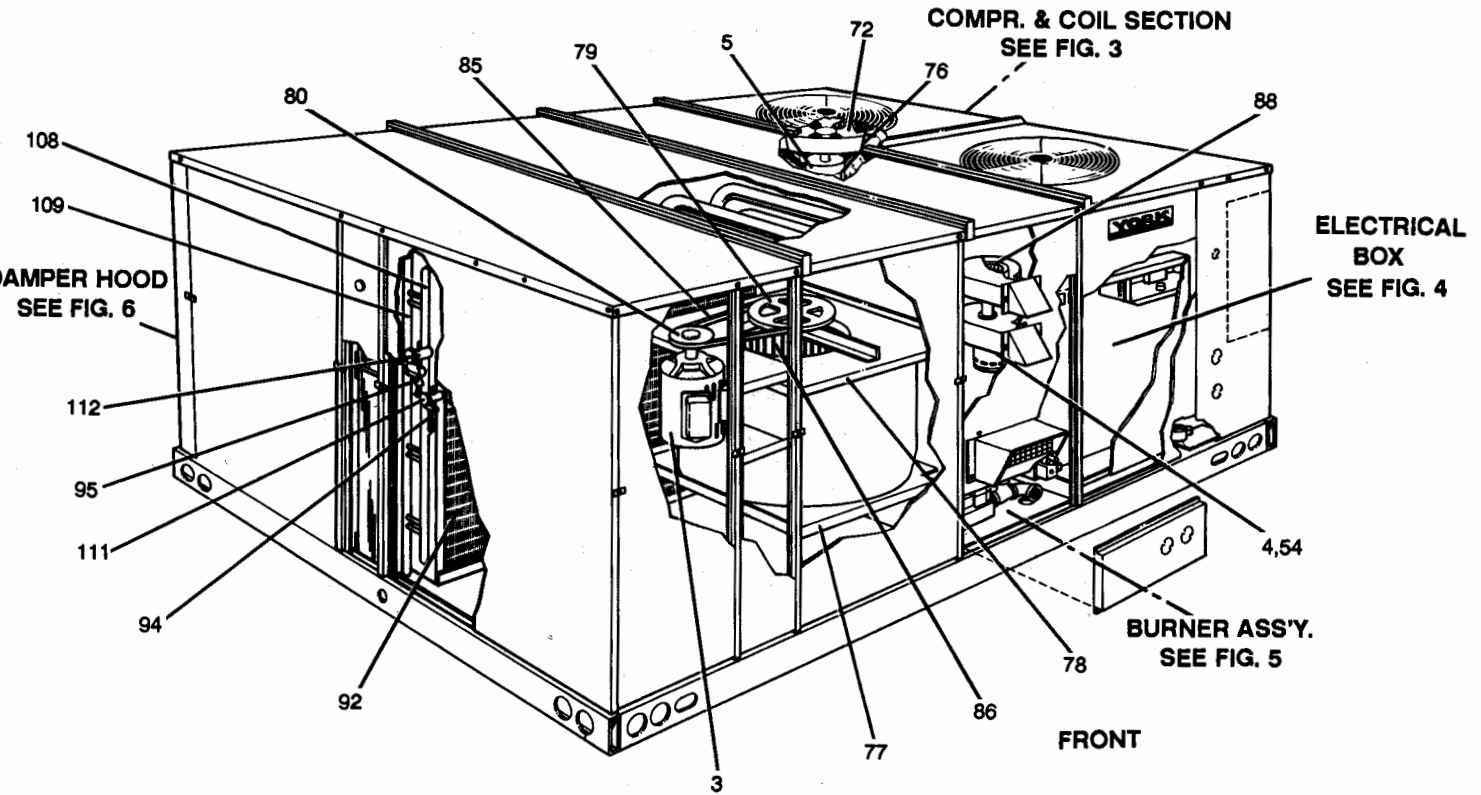


FIG. 1 - SINGLE PACKAGE AIR CONDITIONER

SECTION	FIG	ITEM	DESCRIPTION	D11G180N32050A
GAS HEAT				(8 BURNER)
	5	44	MANIFOLD, GAS (2-REQ'D) (1)	029-21122-700 <
	5	45	ORIFICE, GAS BURNER 2.82mm (8-REQ'D)	029-21123-734
	5	46	ORIFICE, GAS PILOT (#65) 2-REQ'D (1)	029-20489-765 <
	*	47	PANEL, FRONT FLUE BOX	063-93865-700
	*	48	PANEL, MIDDLE FLUE BOX	063-93866-700
	*	49	PANEL, TOP FLUE BOX	063-93867-700
	*	50	PANEL, VESTIBULE	373-13090-725
	*	51	PLATE, ORIFICE	063-90038-003
	*	52	PLATE, VENT (LOWER SCROLL)	073-03170-000
	*	53	PLATE, VENT (TOP SCROLL)	073-03210-000
	1	54	SPACER, VENTOR MOTOR	073-03169-000
	5	55	TUBE, CARRYOVER	029-20099-000
GAS ELEC.				
CONTROLS	*	56	CONTROL, TEMP. LIMIT (HL) [LS2]	025-26366-002
	*	57	CONTROL, TEMP. LIMIT	025-26366-001
	*	58	CONTROL, TEMP. MANUAL RESET(HL) [LS1]	025-30232-700
	*	59	IGNITION CONTROL, 2-REQ'D [IC#1 & #2]	025-29675-700
	*	60	IGNITION TRANSFORMER #1&2 (2-REQ'D) (1)	025-30366-700 <
	5	61	IGNITOR, SPARK (2-REQ'D)	025-30370-700
	*	62	RELAY, IGNITION SEQUENCE [RIS]	024-25909-700
	5	63	SENSOR, FLAME W/TERM (L/H ROLLOUT)	025-30371-701
	5	64	SENSOR, FLAME W/TERM (R/H ROLLOUT)	025-30371-702
	*	65	SWITCH, AIR PRESSURE [AS]	025-29679-700
	*	66	TERMINAL BLOCK 8-POLE [TB15]	025-29763-000
	*	67	TERMINAL BLOCK, BAR [TB14]	025-29762-000
	5	68	VALVE, GAS W/O SWITCH (DUNGS) (1) [GV-2]	025-30369-702 <
	5	69	VALVE, GAS W/SWITCH (DUNGS) (1) [GV-1]	025-30369-701 <
	-	70	-FOR FUTURE USE-	

* NOT SHOWN

(1) THESE PARTS SHOULD BE OBTAINED FROM U.K. BASILDON. <

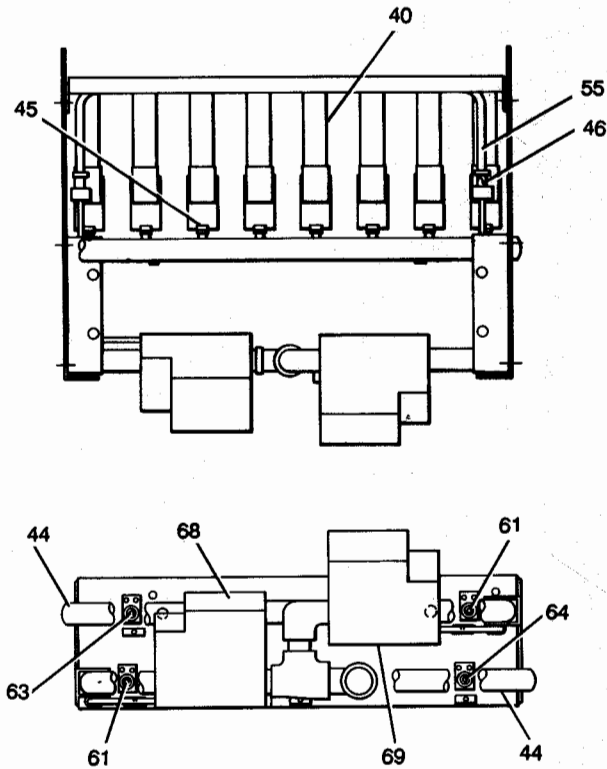


FIG. 5 - BURNER ASSEMBLY

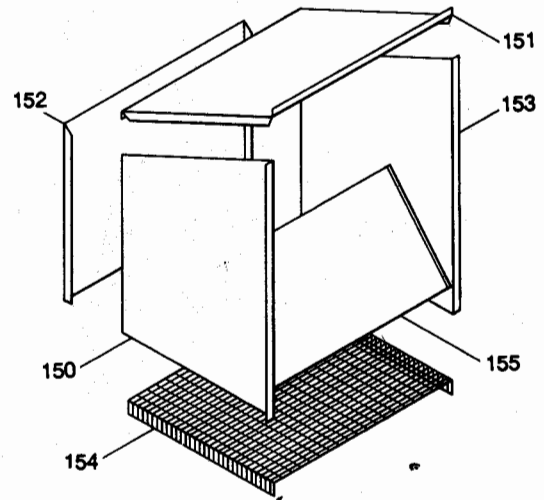


FIG. 6 - DAMPER HOOD

SECTION	FIG	ITEM	DESCRIPTION	D11G180N32050A
AIR MOVING				(8 BURNER)
	7	71	BEARING, BALL PILLOW BLOCK (2-REQ'D)	028-20424-700
	1	72	BLADE, FAN (2-REQ'D)	028-32577-700
	7	73	SUPPORT, BEARING (2-REQ'D)	063-89950-000
	*	74	KEY, STEEL 1/4 SQ.X 6.375" LG.(WHEEL)	001-07110-004
	*	75	KEY, STEEL 1/4 SQ.X 2.0" LG.(PULLEY)	001-07110-005
	1	76	MOUNT, MOTOR	028-25568-000
	1	77	PLATE, BOTTOM 15" BLOWER	063-89999-000
	1	78	PLATE, TOP 15" BLOWER	063-89998-000
	1	79	PULLEY, FIXED PITCH (BLOWER)	028-10584-700
	1	80	PULLEY, VARIABLE PITCH (MOTOR)	028-04761-700
	7	81	SCROLL, 15" BLOWER	073-01951-000
	7	82	SCROLL, VENTOR (2-REQ'D)	073-08343-700
	*	83	SHAFT, BLOWER 15" WHEEL	001-07117-000
	*	84	SUPPORT, FAN	028-25551-000
	1	85	V-BELT, (BX-88)	028-10382-000
	1	86	WHEEL, BLOWER 15"	028-25529-004
	*	87	WHEEL, BLOWER (LOWER VENTOR MOTOR)	028-32625-700
	1	88	WHEEL, BLOWER (UPPER VENTOR MOTOR)	028-32626-700

* NOT SHOWN

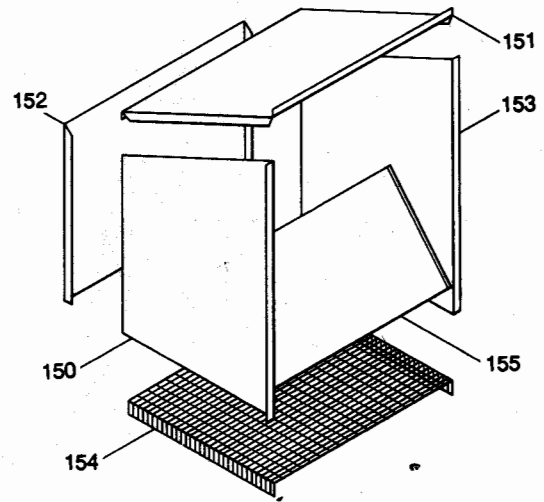
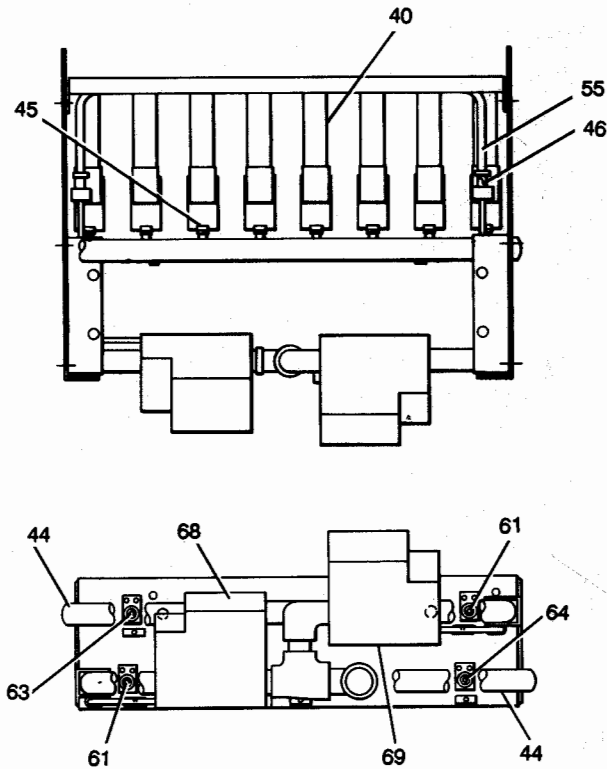


FIG. 6 - DAMPER HOOD

FIG. 5 - BURNER ASSEMBLY

SECTION	FIG	ITEM	DESCRIPTION	D11G180N32050A
AIR MOVING				(8 BURNER)
	7	71	BEARING, BALL PILLOW BLOCK (2-REQ'D)	028-20424-700
	1	72	BLADE, FAN (2-REQ'D)	026-32577-700
	7	73	SUPPORT, BEARING (2-REQ'D)	063-89950-000
	*	74	KEY, STEEL 1/4 SQ.X 6.375" LG.(WHEEL)	001-07110-004
	*	75	KEY, STEEL 1/4 SQ.X 2.0" LG.(PULLEY)	001-07110-005
	1	76	MOUNT, MOTOR	026-25568-000
	1	77	PLATE, BOTTOM 15" BLOWER	063-89999-000
	1	78	PLATE, TOP 15" BLOWER	063-89998-000
	1	79	PULLEY, FIXED PITCH (BLOWER)	028-10564-700
	1	80	PULLEY, VARIABLE PITCH (MOTOR)	028-04761-700
	7	81	SCROLL, 15" BLOWER	073-01951-000
	7	82	SCROLL, VENTOR (2-REQ'D)	073-08343-700
	*	83	SHAFT, BLOWER 15" WHEEL	001-07117-000
	*	84	SUPPORT, FAN	026-25551-000
	1	85	V-BELT, (BX-88)	028-10382-000
	1	86	WHEEL, BLOWER 15"	026-25529-004
	*	87	WHEEL, BLOWER (LOWER VENTOR MOTOR)	026-32625-700
	1	88	WHEEL, BLOWER (UPPER VENTOR MOTOR)	026-32626-700

* NOT SHOWN

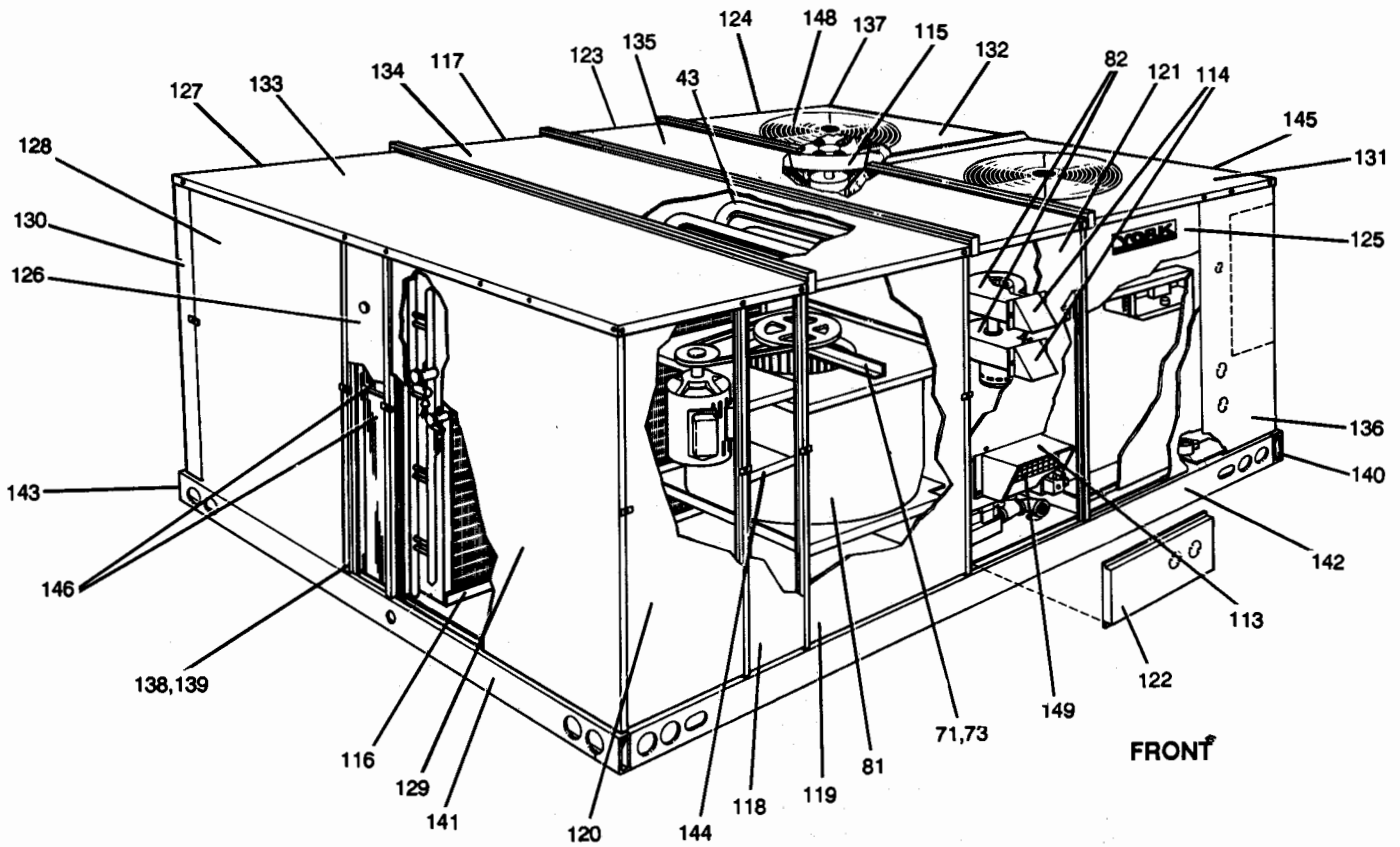


FIG. 7 - SINGLE PACKAGE AIR CONDITIONER

SECTION	FIG	ITEM	DESCRIPTION	D1IG180N32050A
REFRIGERANT				(8 BURNER)
	*	89	CAP, SEAL (1/4 FLARE)	023-11018-000
	3	90	COIL, CONDENSER FRONT (FORMED)	373-10890-700
	3	91	COIL, CONDENSER REAR (FORMED)	373-10885-700
	1	92	COIL, EVAP.(INCL. TXV, DISTR. & HDRS)	373-06227-000
	*	93	CORE, VALVE	022-02475-000
	1	94	DISTRIBUTOR W/TUBES (8 OUTLETS)	026-32679-701
	1	95	DISTRIBUTOR W/TUBES (4 OUTLETS)	026-32679-702
	3	96	FILTER DRIER (LIQUID LINE) 3/8 CONN.	026-14777-706
	3	97	INDICATOR, MOISTURE LIQUID 3/8 CONN.	026-25561-000
	3	98	FILTER DRIER (LIQUID LINE) 1/2 CONN.	026-14777-712
	3	99	INDICATOR, MOISTURE LIQUID 1/2 CONN.	026-12525-700
	*	100	GROMMET, PVC RED 2.375 HOLE	028-04698-000
	3	101	HEADER, CONDENSER (FRONT COIL)	373-10890-750
	3	102	HEADER, CONDENSER (FRONT COIL)	373-10890-760
	3	103	HEADER, CONDENSER (FRONT COIL)	373-10890-770
	3	104	HEADER, CONDENSER (FRONT COIL)	373-10890-780
	3	105	HEADER, CONDENSER (REAR COIL)	373-10885-750
	3	106	HEADER, CONDENSER (REAR COIL)	373-10885-760
	3	107	HEADER, CONDENSER (REAR COIL)	373-10885-770
	1	108	HEADER, SYSTEM 1 (EVAP)	373-06227-720
	1	109	HEADER, SYSTEM 2 (EVAP)	373-06227-730
	*	110	STEM, VALVE (1/4 OD TUBE)	022-08017-000
	1	111	VALVE, THERMAL EXP. (1/2 OD INLET)	022-06852-001
	1	112	VALVE, THERMAL EXP. (3/8 OD INLET)	022-06848-010

* NOT SHOWN

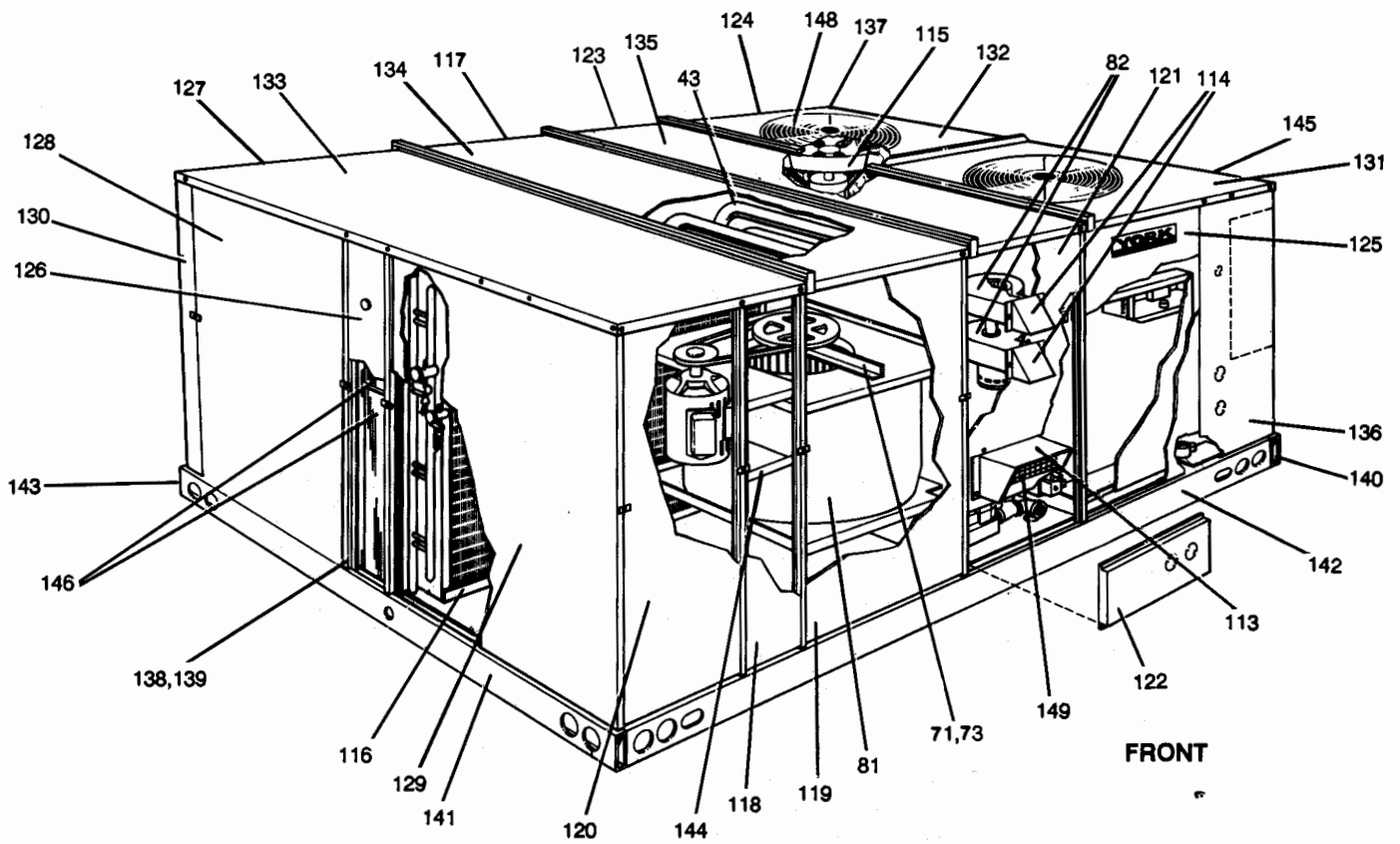


FIG. 7 - SINGLE PACKAGE AIR CONDITIONER

SECTION	FIG	ITEM	DESCRIPTION	D11G180N32050A
FABRICATED				(8 BURNER)
PARTS	7	113	HOOD, AIR INLET	063-94817-000
	7	114	HOOD, FLUE OUTLET W/SCREEN	373-12884-701
	7	115	ORIFICE, FAN	063-94820-000
	7	116	PAN, DRAIN	373-05199-701
	7	117	PANEL, ACCESS (DAMPER)	363-94829-733
	7	118	PANEL, ACCESS (BLOWER MOTOR SUPPT.)	373-06208-321
	7	119	PANEL, ACCESS (BLOWER)	373-06208-325
	7	120	PANEL, ACCESS (BLOWER MOTOR)	373-06208-350
	7	121	PANEL, ACCESS (TOP HEAT SECT.)	073-01983-000
	7	122	PANEL, ACCESS (BTM. HEAT SECT.)	063-94789-000
	7	123	PANEL, ACCESS (REAR HEAT SECT.)	373-06208-315
	7	124	PANEL, ACCESS (COMPR.)	073-01923-000
	7	125	PANEL, ACCESS (CONTROL)	073-01922-000
	7	126	PANEL, ACCESS (FILTERS)	373-06208-321
	7	127	PANEL, ACCESS (FRESH AIR, REAR)	373-06208-335
	7	128	PANEL, ACCESS (FRESH AIR, EVAP. END)	373-06208-340
	7	129	PANEL, CORNER (EVAP. FRONT)	373-06208-330
	7	130	PANEL, CORNER (EVAP. REAR)	373-06208-310
	7	131	PANEL, TOP (COND. FRONT)	063-93750-000
	7	132	PANEL, TOP (COND. REAR)	063-93751-000
	7	133	PANEL, TOP (EVAP. L/H)	373-06208-345
	7	134	PANEL, TOP (EVAP. R/H)	373-06317-315
	7	135	PANEL, TOP (HEAT SECTION)	373-06317-320
	7	136	POST, CORNER (FRONT RIGHT)	073-02034-000
	7	137	POST, CORNER (REAR RIGHT)	073-02033-000
	7	138	POST, FRAME (INNER) 8-REQ'D	073-01987-700

* NOT SHOWN

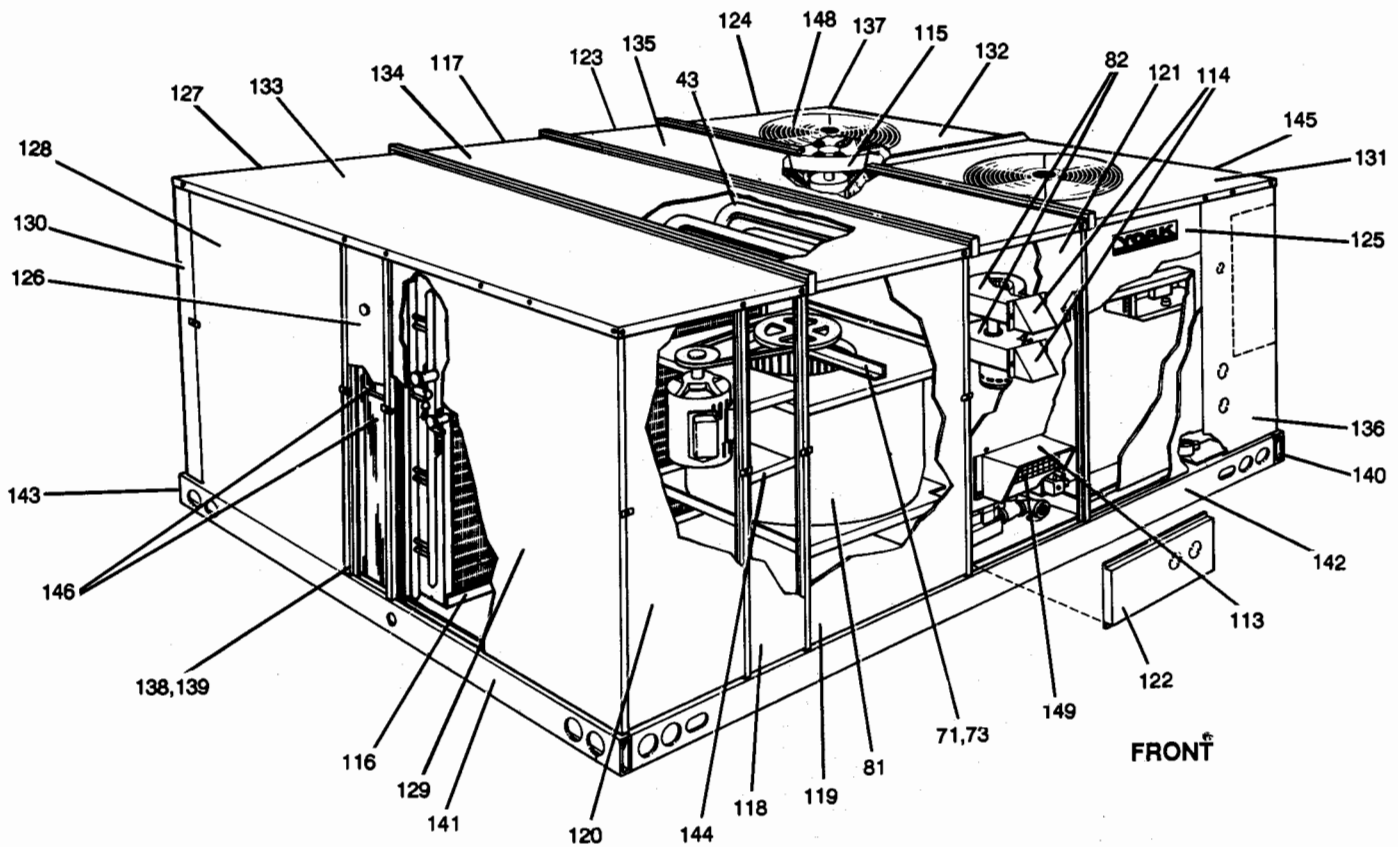


FIG. 7 - SINGLE PACKAGE AIR CONDITIONER

SECTION	FIG	ITEM	DESCRIPTION	D11G180N32050A
REFRIGERANT				(8 BURNER)
	*	89	CAP, SEAL (1/4 FLARE)	023-11018-000
	3	90	COIL, CONDENSER FRONT (FORMED)	373-10890-700
	3	91	COIL, CONDENSER REAR (FORMED)	373-10885-700
	1	92	COIL, EVAP.(INCL. TXV, DISTR. & HDRS)	373-06227-000
	*	93	CORE, VALVE	022-02475-000
	1	94	DISTRIBUTOR W/TUBES (8 OUTLETS)	026-32876-701
	1	95	DISTRIBUTOR W/TUBES (4 OUTLETS)	026-32879-702
	3	96	FILTER DRIER (LIQUID LINE) 3/8 CONN.	026-14777-706
	3	97	INDICATOR, MOISTURE LIQUID 3/8 CONN.	026-25561-000
	3	98	FILTER DRIER (LIQUID LINE) 1/2 CONN.	026-14777-712
	3	99	INDICATOR, MOISTURE LIQUID 1/2 CONN.	026-12525-700
	*	100	GROMMET, PVC RED 2.375 HOLE	028-04698-000
	3	101	HEADER, CONDENSER (FRONT COIL)	373-10890-750
	3	102	HEADER, CONDENSER (FRONT COIL)	373-10890-760
	3	103	HEADER, CONDENSER (FRONT COIL)	373-10890-770
	3	104	HEADER, CONDENSER (FRONT COIL)	373-10890-780
	3	105	HEADER, CONDENSER (REAR COIL)	373-10885-750
	3	106	HEADER, CONDENSER (REAR COIL)	373-10885-760
	3	107	HEADER, CONDENSER (REAR COIL)	373-10885-770
	1	108	HEADER, SYSTEM 1 (EVAP)	373-06227-720
	1	109	HEADER, SYSTEM 2 (EVAP)	373-06227-730
	*	110	STEM, VALVE (1/4 OD TUBE)	022-08017-000
	1	111	VALVE, THERMAL EXP. (1/2 OD INLET)	022-08852-001
	1	112	VALVE, THERMAL EXP. (3/8 OD INLET)	022-08848-010

* NOT SHOWN

SECTION	FIG	ITEM	DESCRIPTION	D1IG180N32050A
FABRICATED				(8 BURNER)
PARTS	7	139	POST, FRAME (OUTER) 8-REQ'D	073-01888-700
	7	140	RAIL, BASE COND.	073-10757-700
	7	141	RAIL, BASE EVAP.	073-10807-700
	7	142	RAIL, BASE FRONT	073-01837-700
	7	143	RAIL, BASE REAR	073-01838-700
	7	144	SUPPORT, MOTOR	063-94674-000
MISC.				
	7	145	GUARD, COIL	028-31432-701
	7	148	FILTER, AIR (2 X 18 X 24)	5 REQ'D
	*	147	CATCH, MAGNETIC (CNT'L PNL)	028-15650-000
	7	146	GUARD, FAN	028-25549-000
	7	149	SCREEN, AIR INLET	028-31407-000
DAMPER				
	6	150	PANEL, DAMPER (RIGHT SIDE)	073-02288-700
	6	151	PANEL, DAMPER (TOP)	073-02289-700
	6	152	PANEL, DAMPER (FRONT)	073-02288-700
	6	153	PANEL, DAMPER (LEFT SIDE)	073-02287-700
	6	154	SCREEN, DAMPER (BLANK)	028-31409-700
	6	155	BAFFLE, DAMPER	073-02272-700

FOR FACTORY OR FIELD INSTALLED ACCESSORIES SEE THE FOLLOWING PARTS LISTS:

ACCESSORIES - ELECTRICAL

DESCRIPTION	MODEL NO.
ELECT. ENTHALPY ECONO./DUAL INPUT	2EEO4700524A
MOTORIZED OUTDOOR DAMPER	2MDO4702024A
ELECTRIC HEAT 18KW	2RE04501850A
ELECTRIC HEAT 36KW	2RE04503650A
ELECTRIC HEAT 54KW	2RE04505450A
ELECTRIC HEAT 72KW	2TE04507250A

ACCESSORIES - NON-ELECTRICAL

DESCRIPTION	MODEL NO.
HIGH SPEED DRIVE	1LD0418A



Heating and Air Conditioning