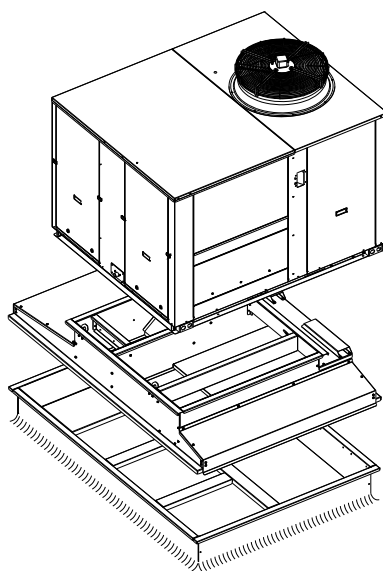




BY JOHNSON CONTROLS

# ROOF CURB adapter for ROOF TOP ACTIVA 017/040 units



**Options and Accessories, Installation manual**

Ref.: N-40399\_EN 0112



## Index

1	ROOF CURB adapter for ROOF TOP ACTIVA 017/040 units.....	1
1.1	General information.....	2
1.2	Dimensions.....	2
1.3	Installation.....	4

1

---

**ROOF CURB adapter for ROOF TOP  
ACTIVA 017/040 units**

## 1.1 General information

A significant part of the cost in Rooftop unit replacement projects is modification and repair work of the structure, as well as insulation to maintain the integrity of the roof of the building.

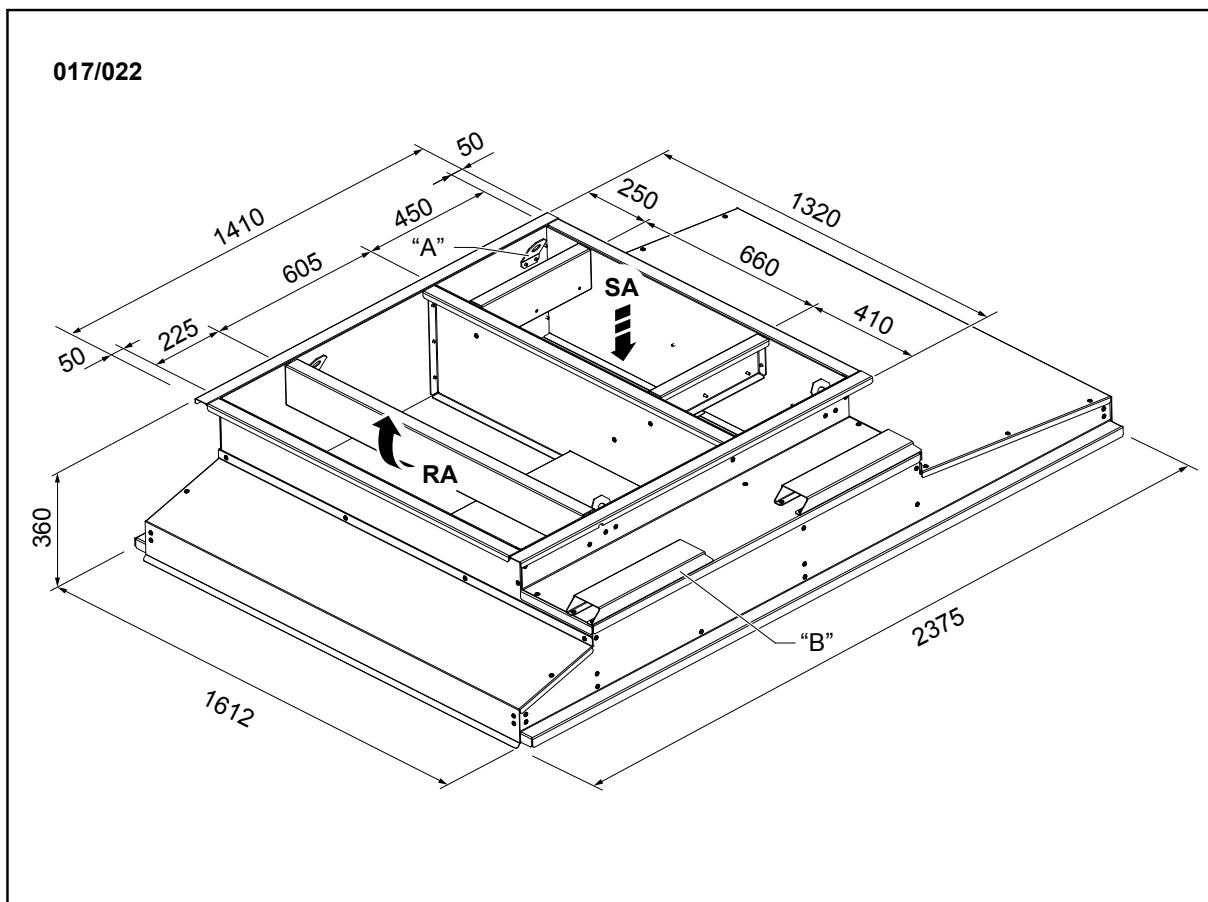
The *Roofcurb adapter* accessory is the solution for replacing old *Sunline* unit models 090, 120 and 150 with the new Rooftop *Activa* models 017, 022, 032 and 040, eliminating the need for this costly work.

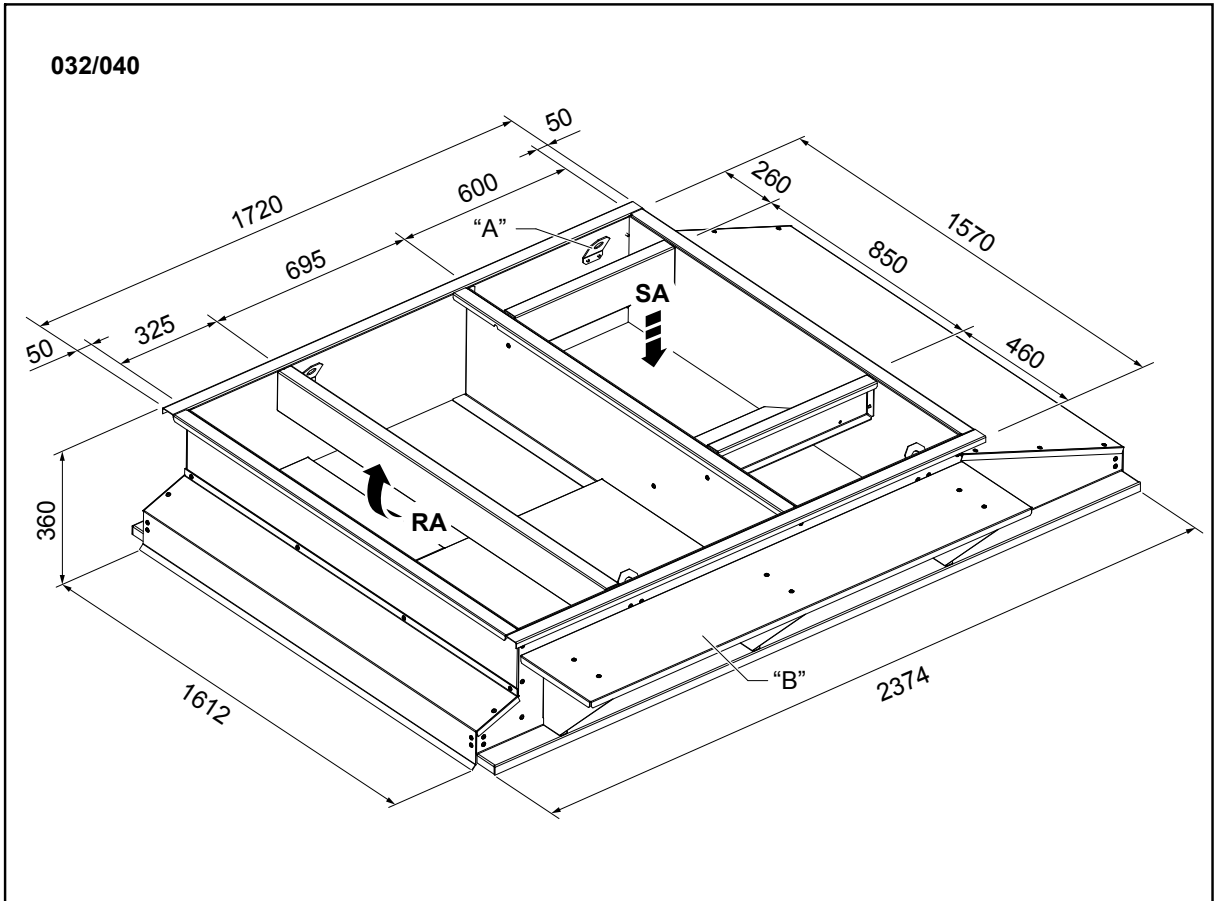
To install, simply remove the old *Sunline* unit, place the *Roofcurb adapter* on the existing Roofcurb and position the new Rooftop *Activa*. The existing supply and return air ducts do not even need to be adjusted.

The *Roofcurb adapter* is supplied fully assembled with all insulated panels inside, ready for positioning. The exterior parts are painted with the same finish and protection level as the rooftop unit. The side surfaces slope towards the exterior to facilitate the expulsion of rainwater.

The unit has lugs so that it can be raised and positioned with a crane.

## 1.2 Dimensions



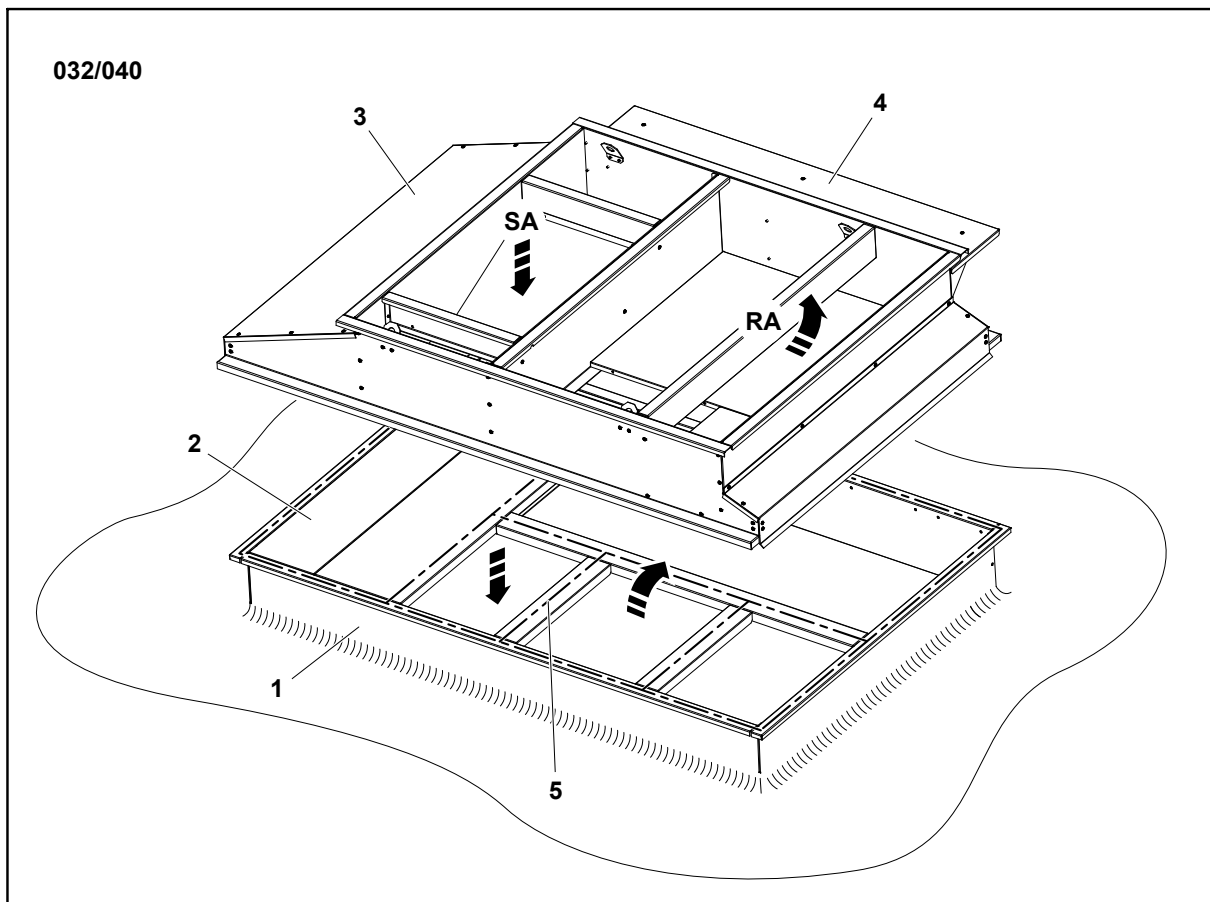
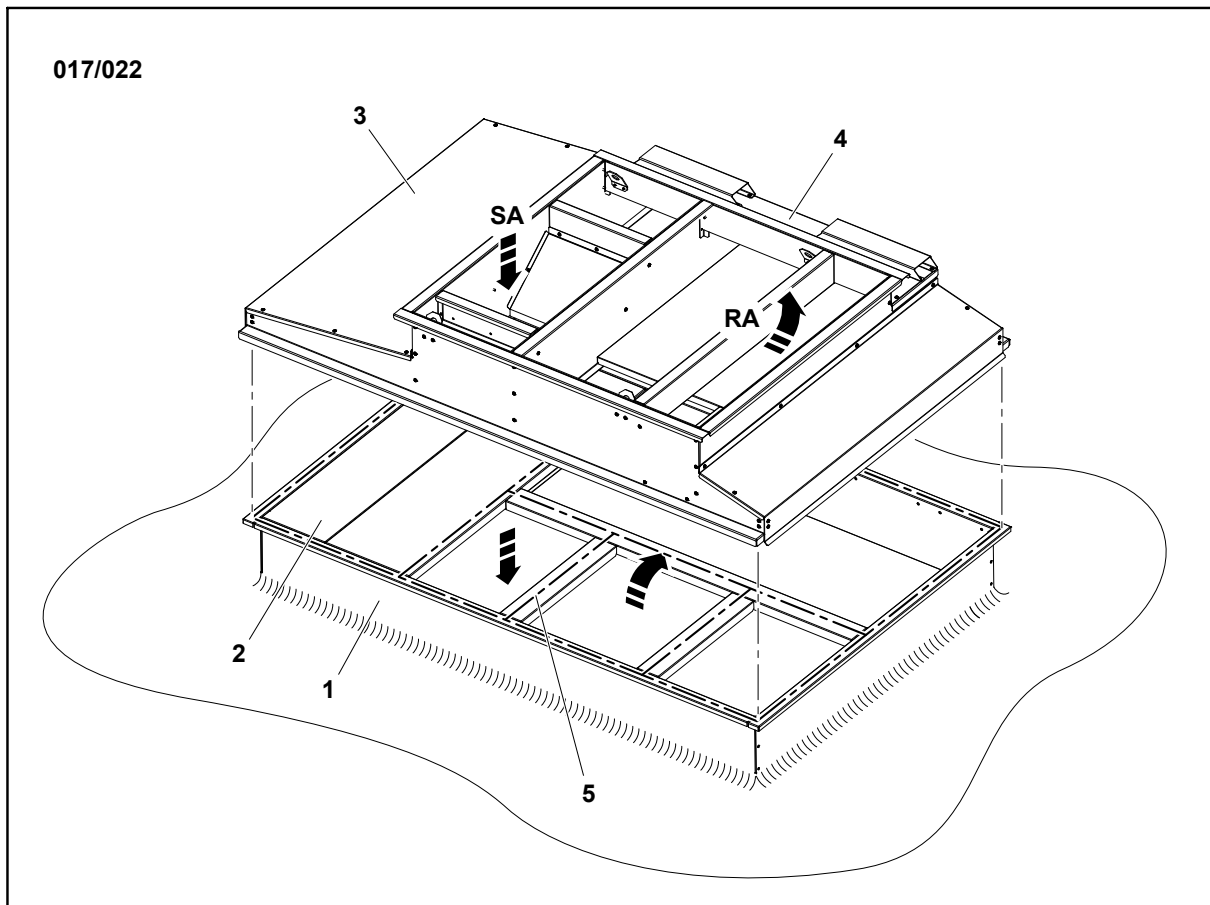


SA Supply air  
RA Return air

A Handling lugs (x4)  
B Side of the outdoor coil

Model	Weight [kg]
017 / 022	122
032 / 040	117

## 1.3 Installation



<p>1 Existing Roofcurb</p> <p>2 Side of the outdoor coil of the old Sunline unit</p> <p>3 Roofcurb adapter</p> <p>4 Side of the outdoor coil of the new Activa unit</p>	<p>5 Leak-proof joint, 40x25 mm self-adhesive strip</p> <p>RA Return air</p> <p>SA Supply air</p>
---	---

1. Once the old *Sunline* unit has been removed, check the condition of the joint of the existing leak-proof strip on the upper side of the entire exterior perimeter and on the interior separators. If necessary, replace with the strip supplied.
2. Raise the *Roofcurb adapter*, using the four lugs, placing and fitting them on the existing Roofcurb.



**NOTE**

- *The Roofcurb adapter does not need to be fitted to the existing Roofcurb.*
- *The exterior face of the Roofcurb adapter does not need to be insulated.*
- *The existing supply and return air ducts do not need to be modified.*

3. Position and fit the new *Rooftop Activa* unit on the *Roofcurb adapter*, so that it is ready for the electrical connections and corresponding connections in the event that the heating option is available.

**Detail in installation section**

<p>6 Roof of the building</p> <p>7 Existing Roofcurb, Sunline</p> <p>8 Leak-proof joint, 40x25 mm self-adhesive strip</p>	<p>9 Roofcurb adapter, Activa</p> <p>10 Existing joint on the base of the Activa unit</p> <p>11 Unit base Activa</p>
---	--

