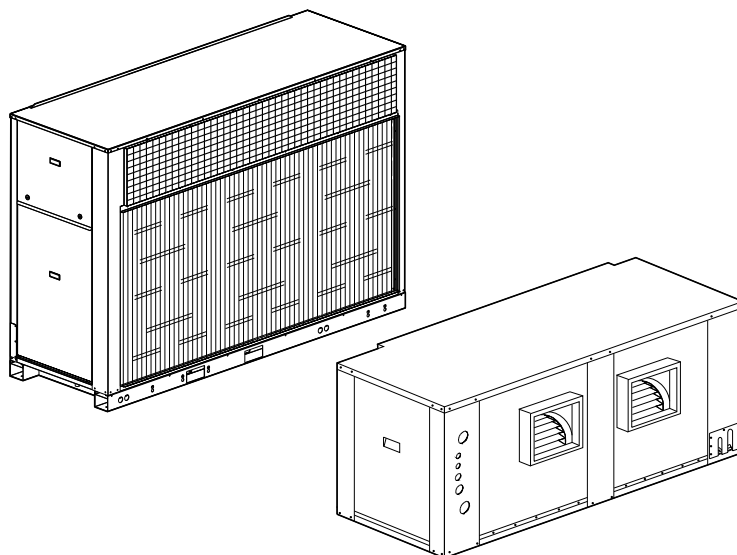




BY JOHNSON CONTROLS

Spare parts VCH/VIR accessories



Accessories, Spare Parts Manual

Ref.: N-40383_EN 0112



Index

1	Spare parts for VCH unit accessories.....	1
1.1	LAK condensation pressure control.....	2
1.2	Vertical outlet transformation kit.....	5
1.3	Tray resistor.....	9
2	Spare parts for VIR unit accessories.....	11
2.1	Indoor electric resistor.....	12
2.2	Hot water coil.....	19
2.3	Economiser.....	23
2.4	Vertical outlet transformation kit.....	26
2.5	Return fan.....	30

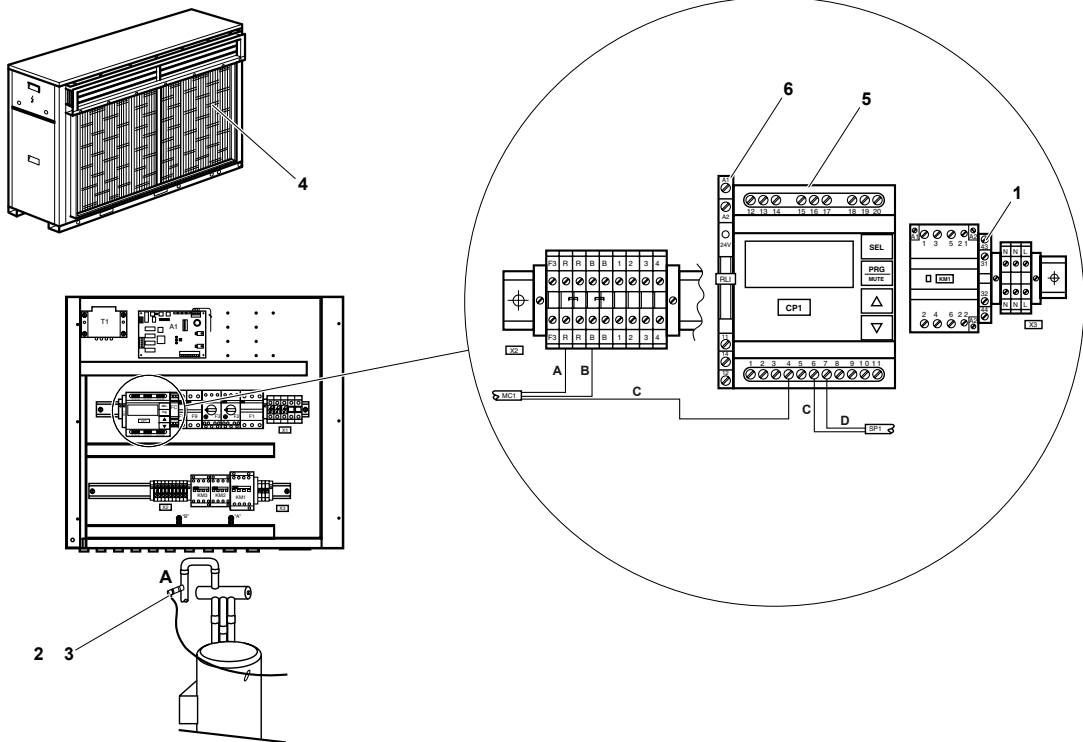
1

Spare parts for VCH unit accessories

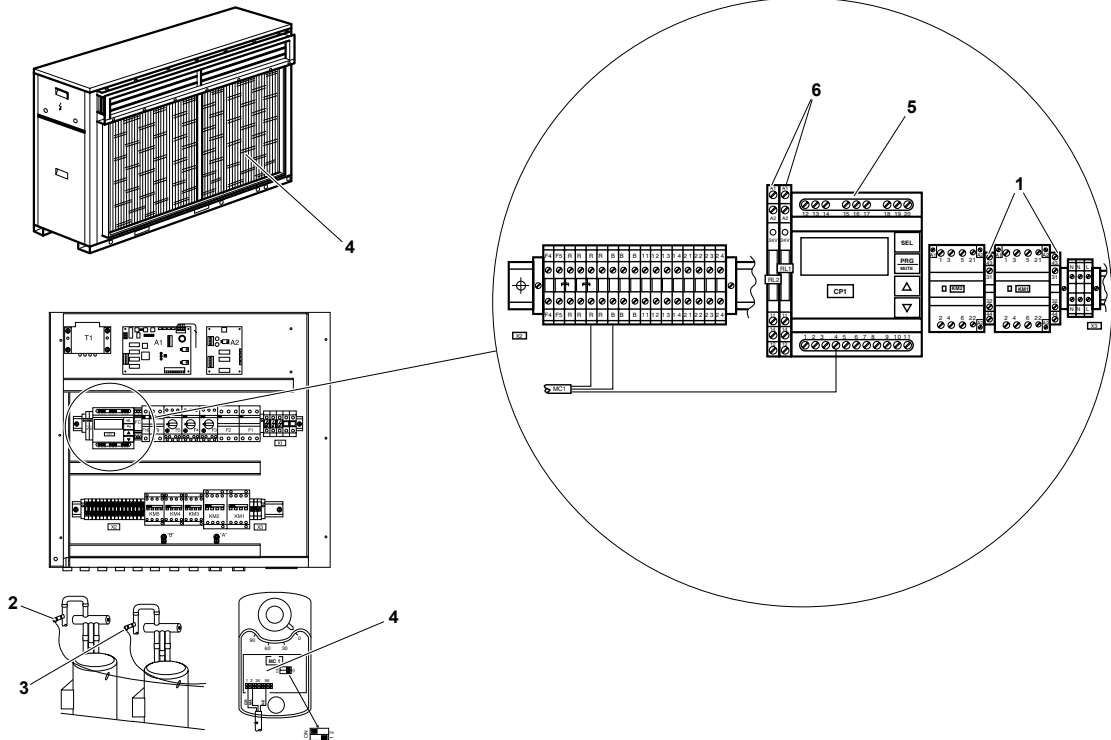
1.1

LAK condensation pressure control

VCH 20A/25A/30A/40A/45A/60A



VCH 75A/90A

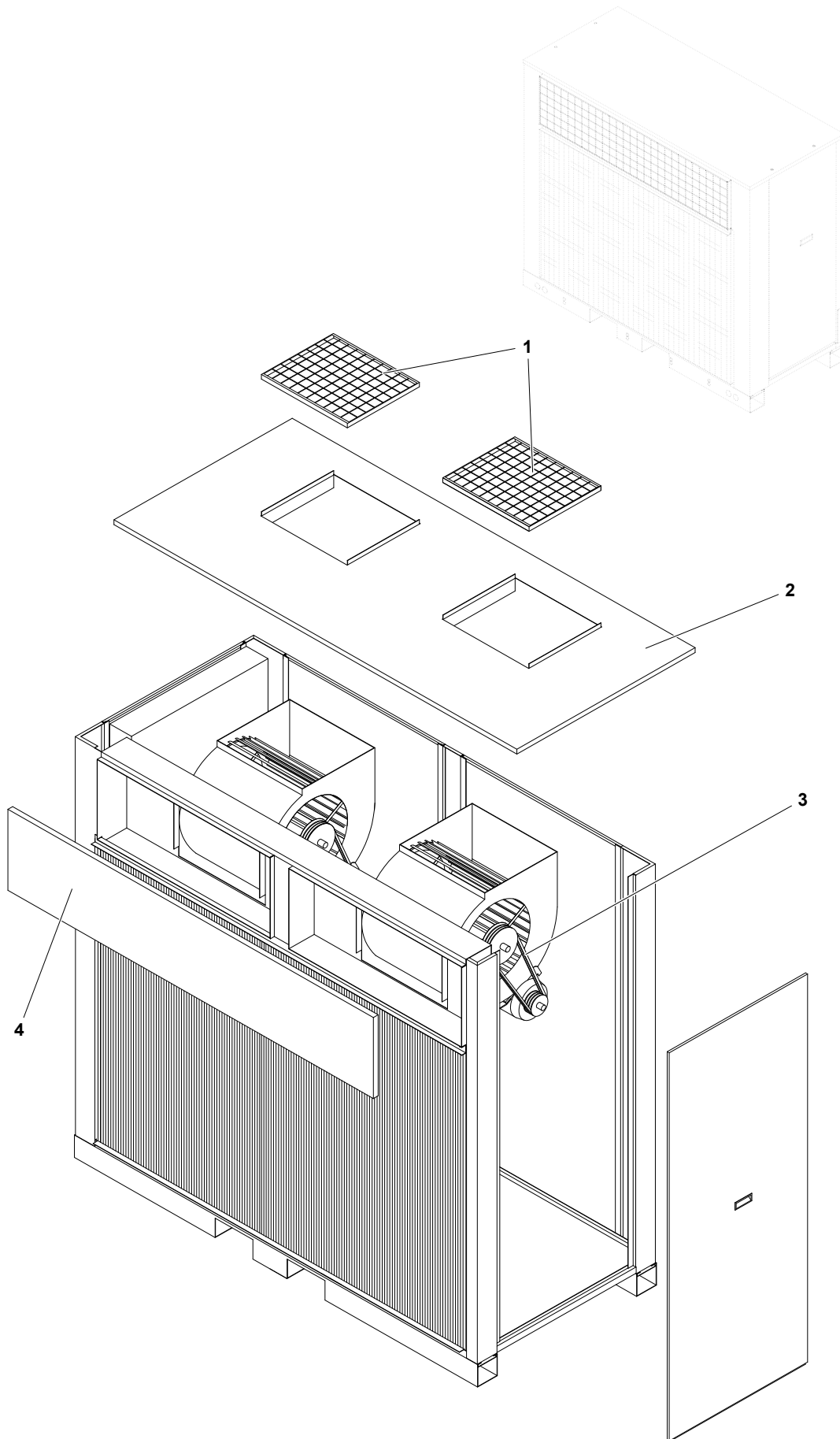


Pos.	Part	20	25	30	40	45	60	75	90
1	Auxiliary contact	371072	371072	371072	371072	371072	371072	371072	371072
2	Pressure transducer	371156	371156	371156	371156	371156	371156	371156	371156
3	Packard connector	371146	371146	371146	371146	371146	371146	371146	371146
4	Motorised damper for LAK	369298	369298	369297	369297	369295	369295	369294	369294
5	Pressure regulator FCM0002000	371261	371261	371261	371261	371261	371261	371261	371261
6	24 Vac 1CO relay terminal	371080	371080	371080	371080	371080	371080	371080	371080

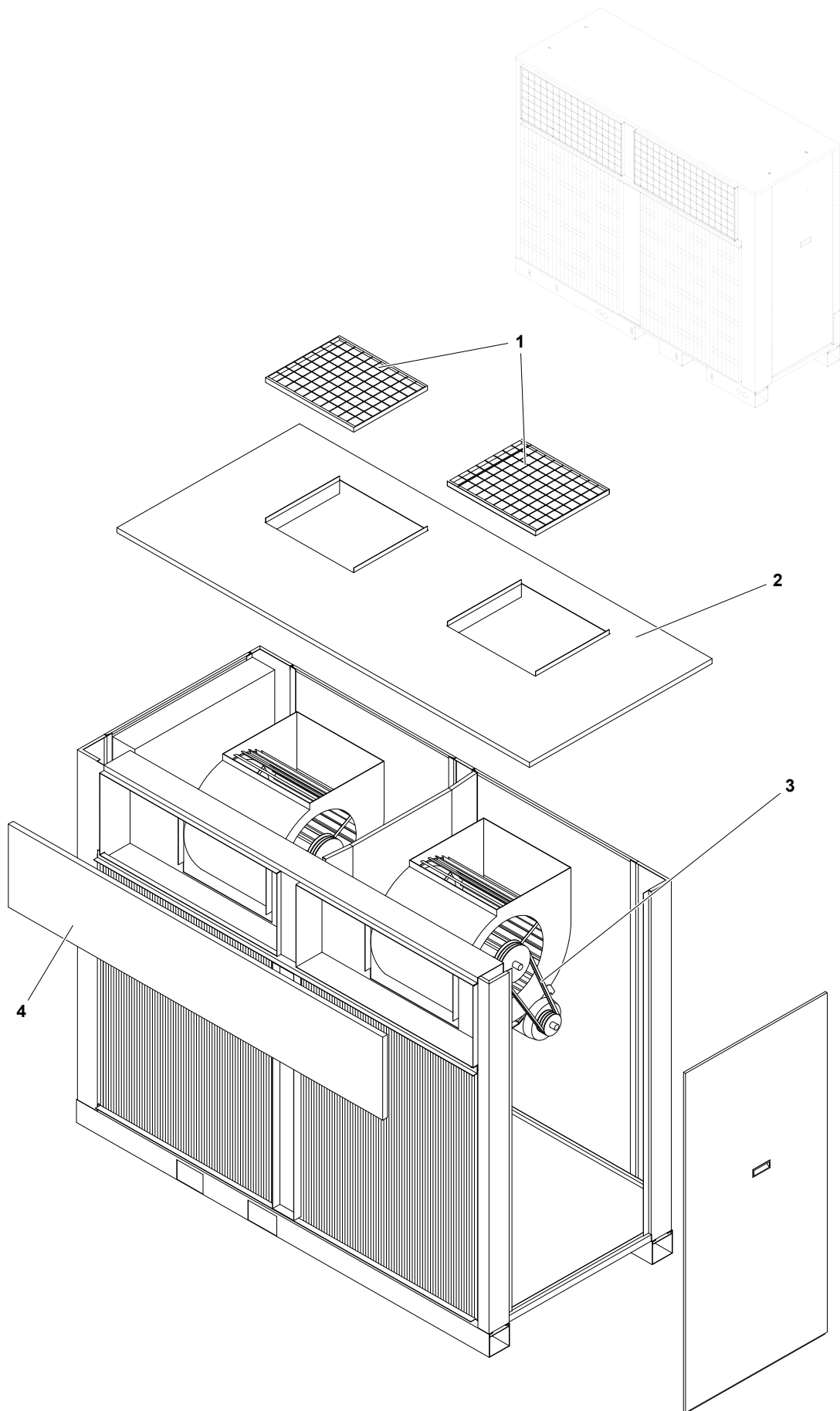
1.2

Vertical outlet transformation kit

VCH-20A/25A/30A/40A



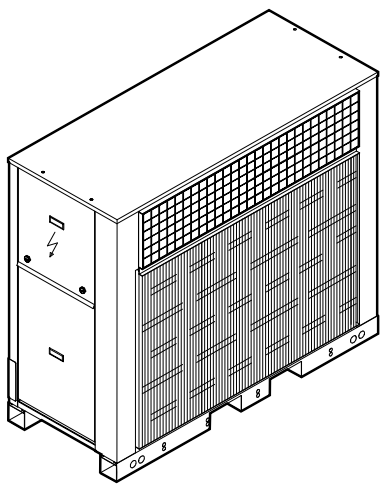
VCH-45A/60A/75A/90A



Pos.	Part	20	25	30	40	45	60	75	90
1	Fan grille cover	375586	375586	375590	375590	375587	375587	437893	437893
2	Upper panel assembly	411898	411898	411908	411908	412125	412125	411894	411894
3	Fan belt	370145	370145	370146	370146	370149	370147	370148	370148
4	Plenum cover	411907	411907	411918	411918	412128	412128	411906	411906

1.3

Tray resistor



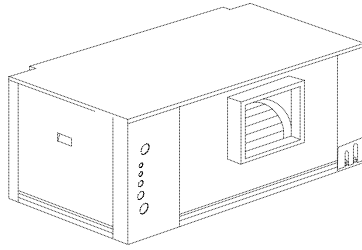
Pos.	Part	20	25	30	40	45	60	75	90
1	Tray resistor	S611080788							

2

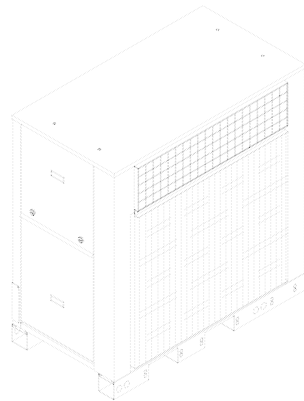
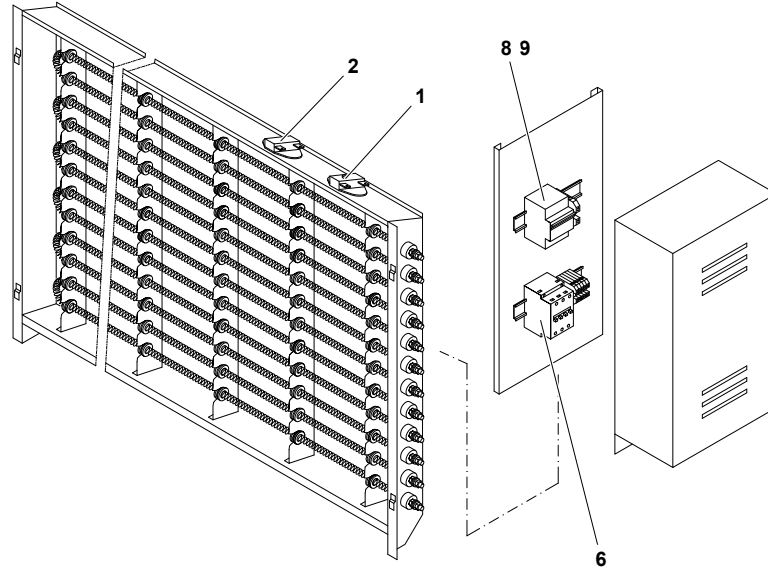
Spare parts for VIR unit accessories

2.1

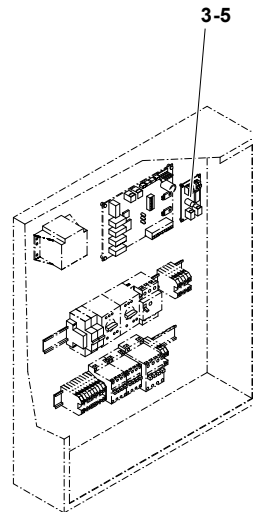
Indoor electric resistor

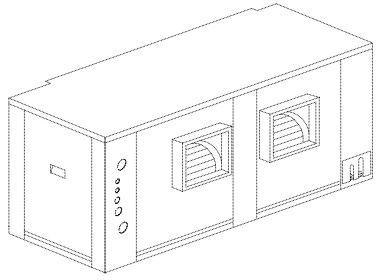


VIR-25A

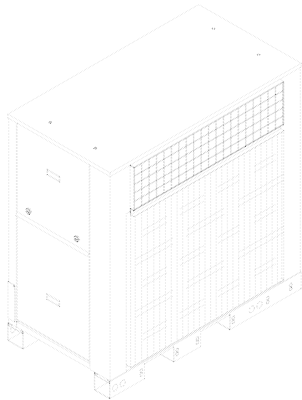
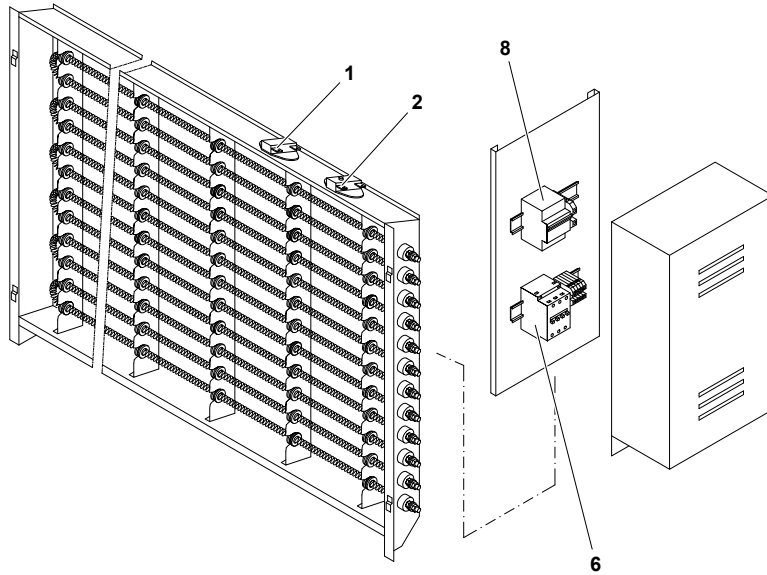


VCH-20A/25A

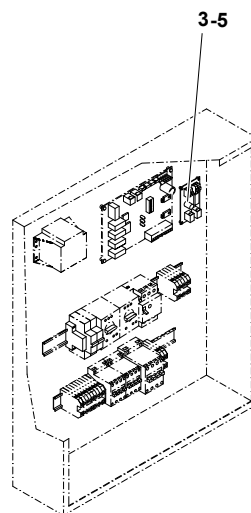




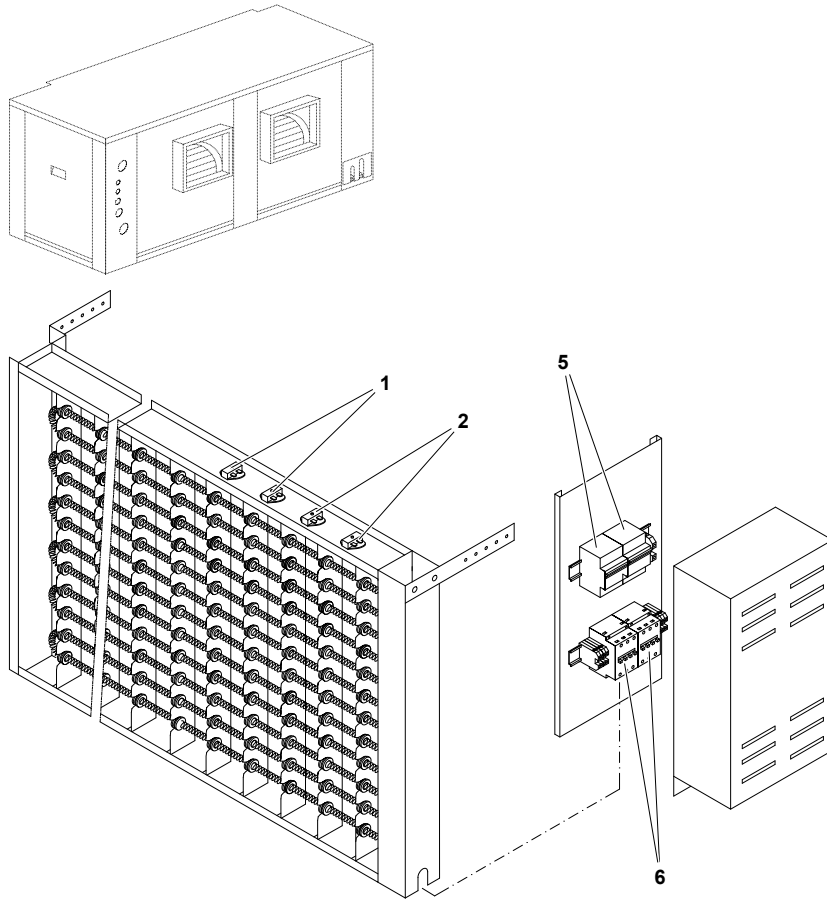
VIR-40A



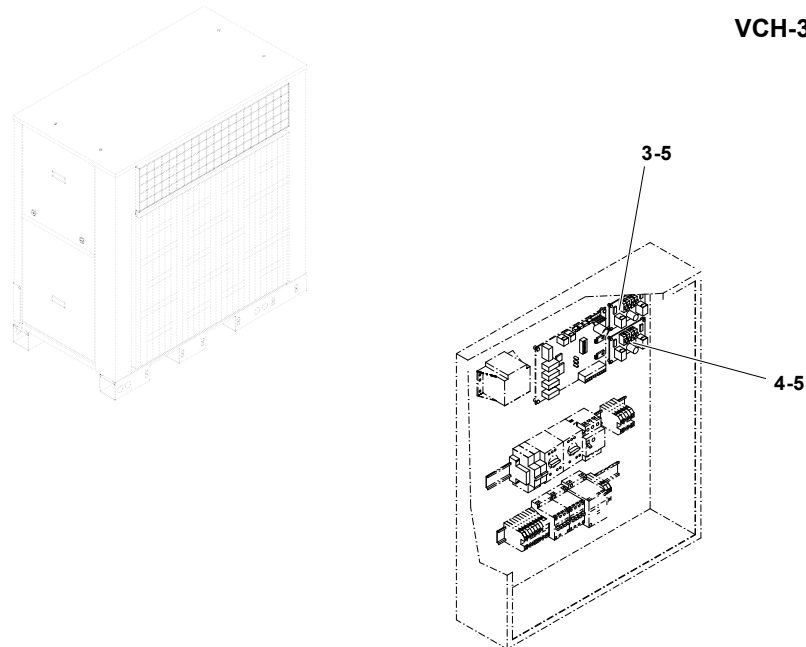
VCH-30A/40A

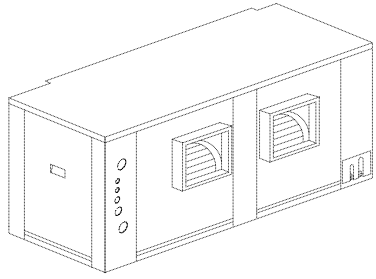


VIR-40A

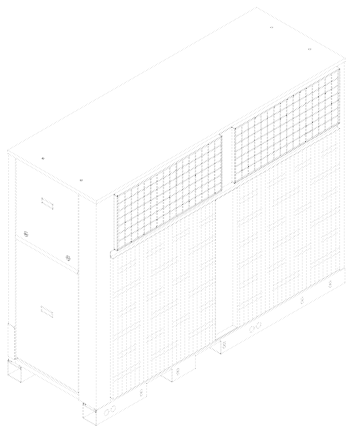
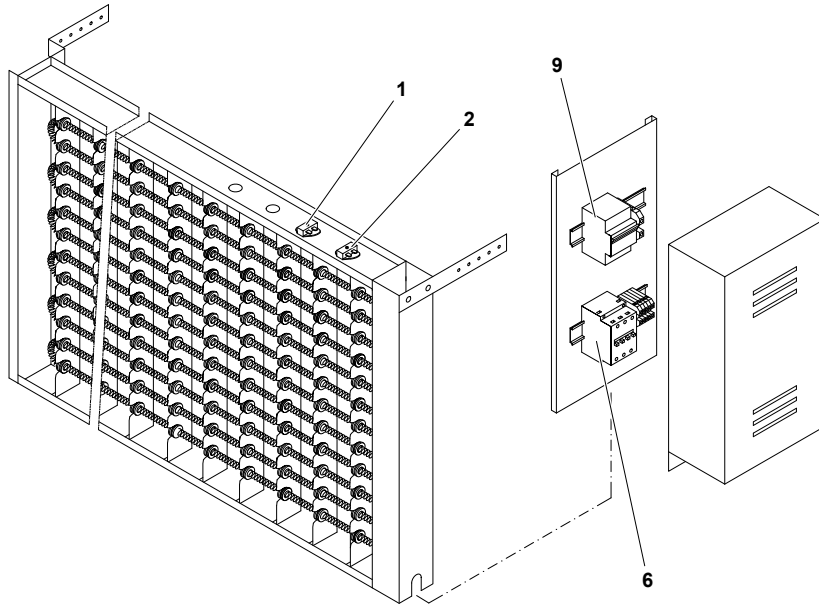


VCH-30A/40A

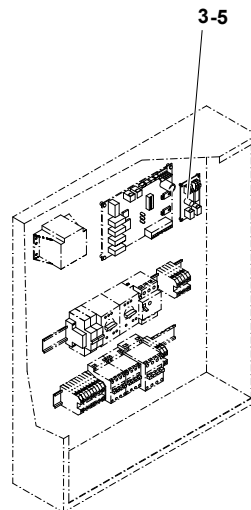


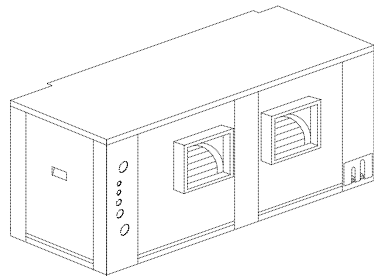


VIR-45A/60A

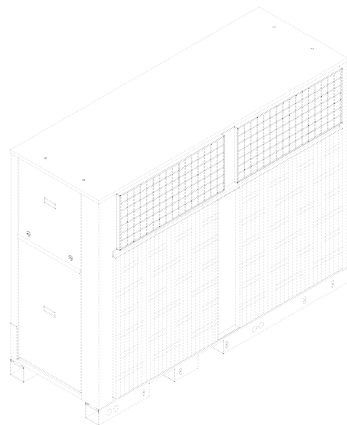
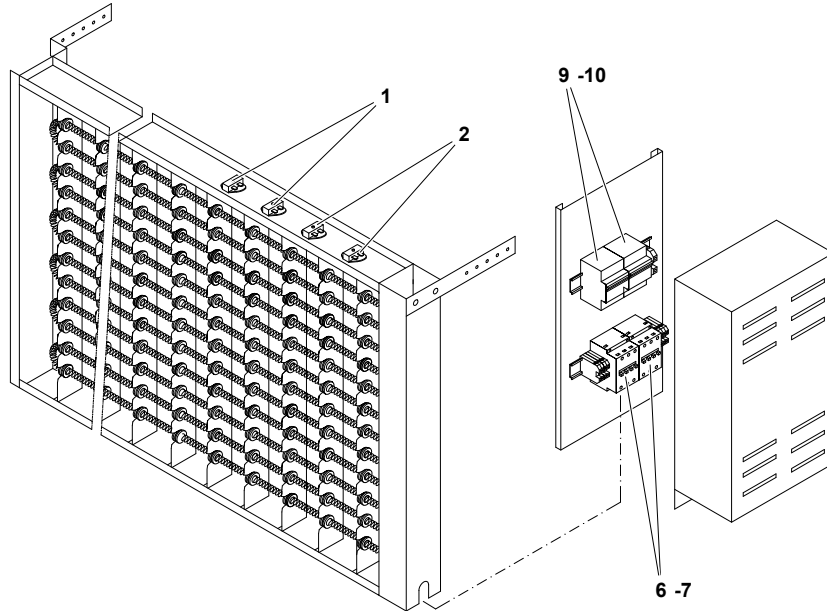


VCH-45A/60A

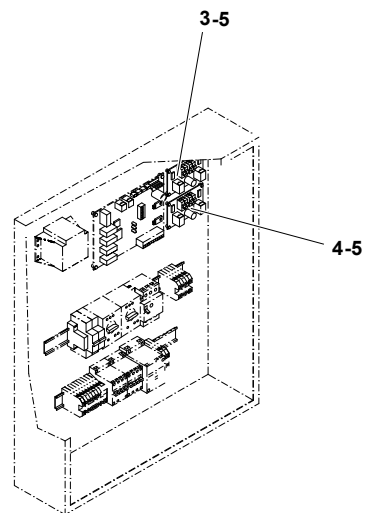




VIR-40A/45A/60A/75A/90A



VCH-45A/60A/75A/90A

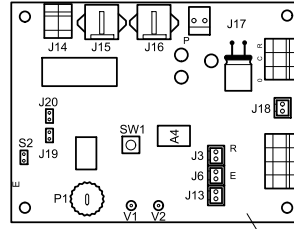
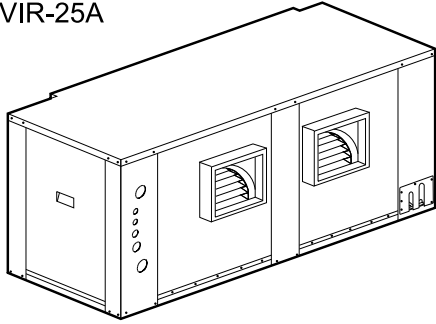


Pos.	Part	25A	40A	45A	60A	75A	90A
1	Klixon 77 °C Auto. thermal protector	414510	414510	414510	414510	414510	414510
2	Klixon 138 °C Man. thermal protector	414509	414509	414509	414509	414509	414509
3	Auxiliary resistor -1 accessory board	391883	391883	391883	391883	391883	391883
4	Auxiliary resistor -2 accessory board	-	371178	371178	371178	371178	371178
5	Nylon separator	371281	371281	371281	371281	371281	371281
6	Contactator	371059	371059	371059	371059	371059	371059
7	Contactator (for 40kW Resistance)	-	-	-	-	371063	371063
8	Circuit breaker (for 10/20 kW Resistance)	391872	391872	-	-	-	-
9	Circuit breaker (for 15/30 kW Resistance)	371104	-	371104	371104	371104	371104
10	Circuit breaker (for 40 kW Resistance)	-	-	-	-	414888	414888
11	Telephone wire	433900	433900	433900	433900	433900	433900

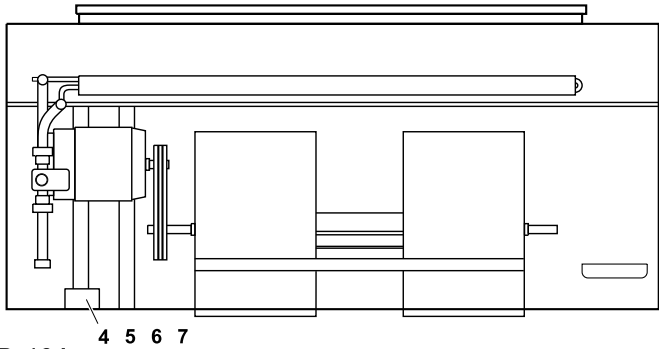
2.2

Hot water coil

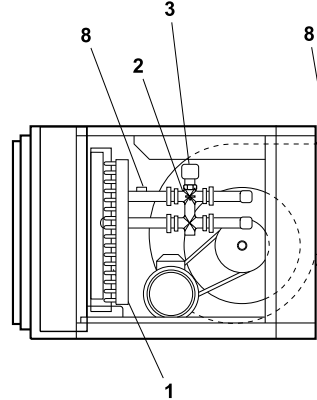
VIR-25A



6

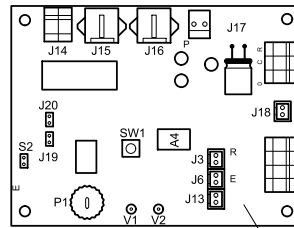
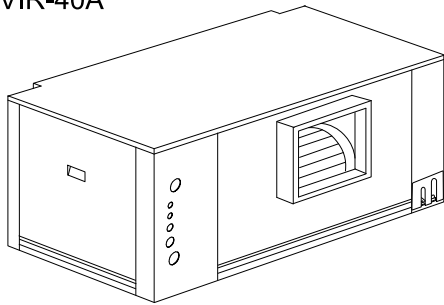


4 5 6 7

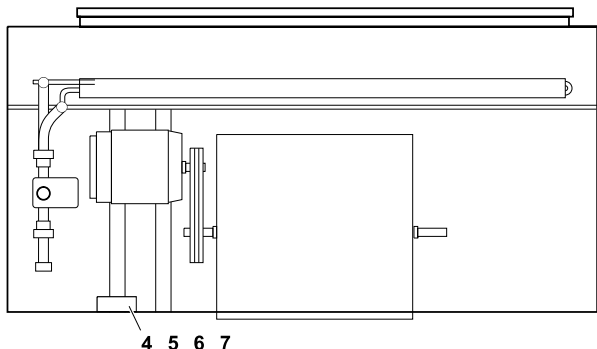


1

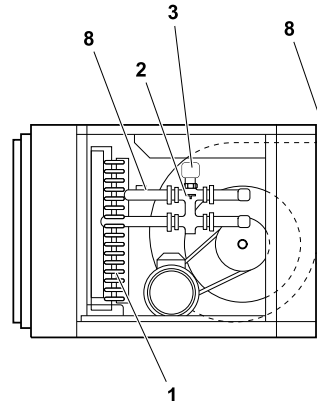
VIR-40A



6

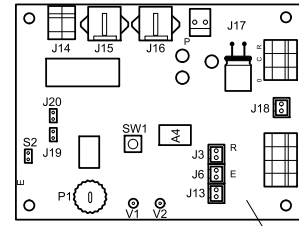
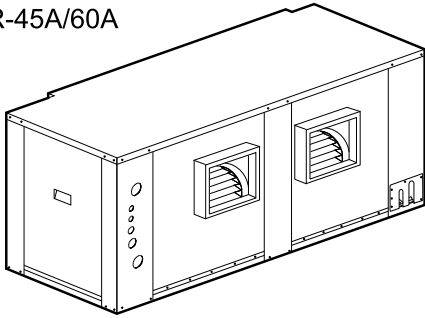


4 5 6 7

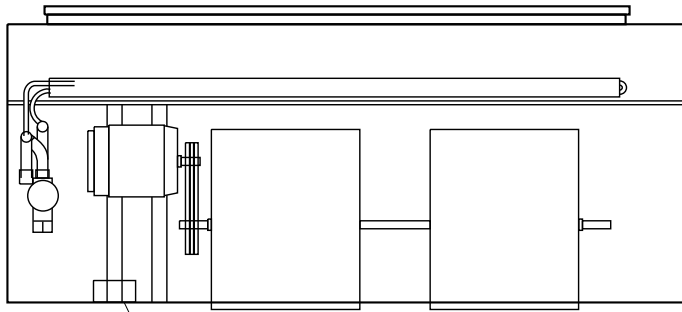


1

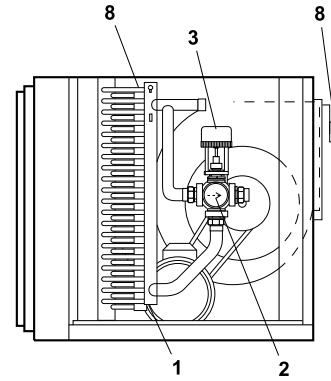
VIR-45A/60A



6

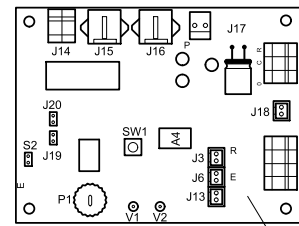
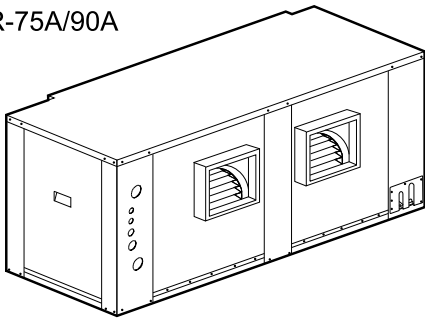


4 5 6 7

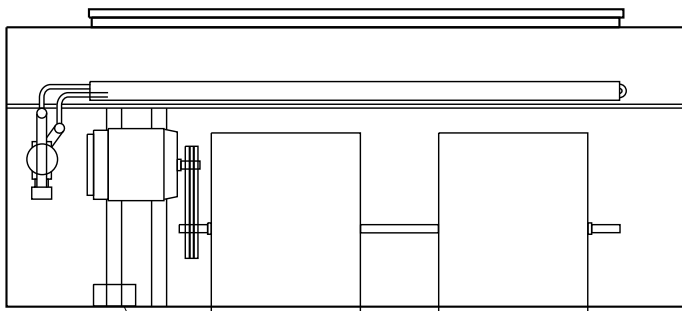


8 3 8 1 2

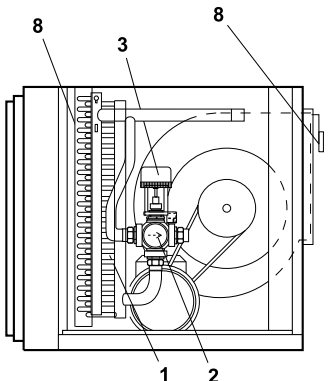
VIR-75A/90A



6



4 5 6 7

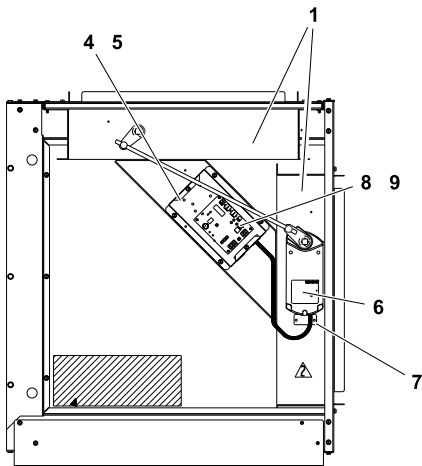
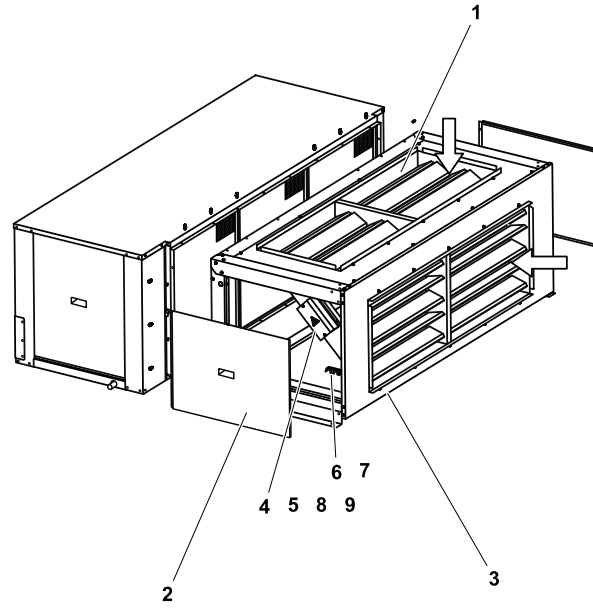
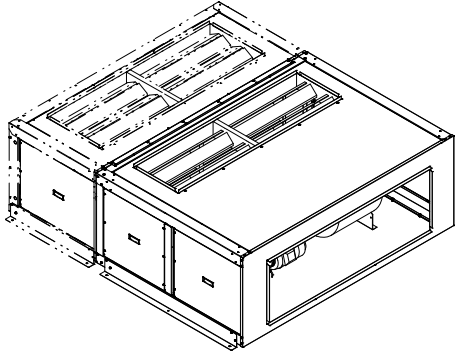


8 3 8 1 2

Pos.	Part	25A	40A	45A	60A	75A	90A
1	Water coil assembly	403397	403545	404452	404452	404465	404465
2	Water valve	403432	403432	369991	369991	369991	369991
3	Actuator	403433	403433	370960	370960	370960	370960
4	Control support 2	438453	438453	438453	438453	438453	438453
5	Plastic cover	369894	369894	369894	369894	369894	369894
6	Water coil electronic board YKLON	371190	371190	371190	371190	371190	371190
7	Separator DLCBS3-8-01	371281	371281	371281	371281	371281	371281
8	1300 mm probe	369949	369949	369949	369949	369949	369949

2.3

Economiser

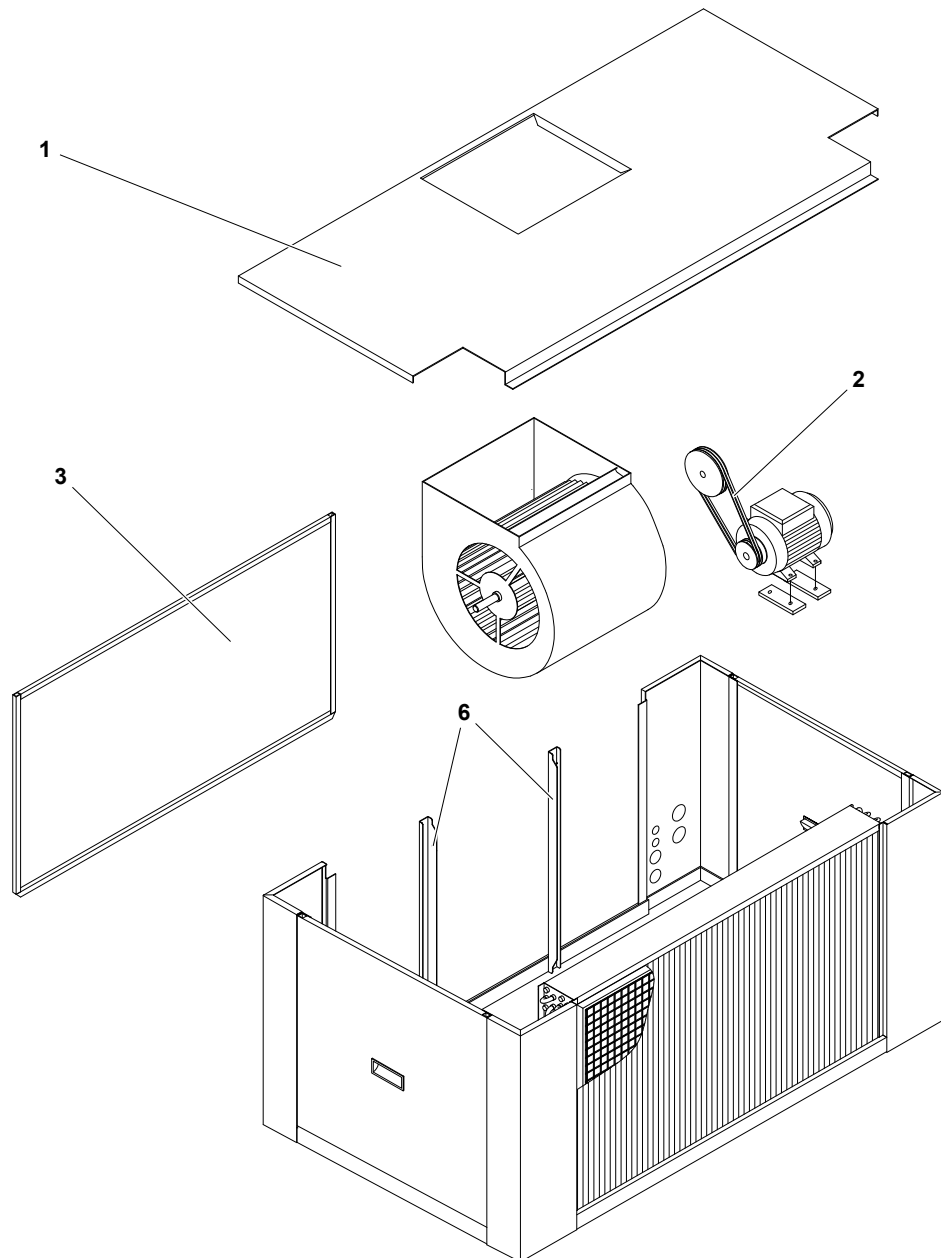
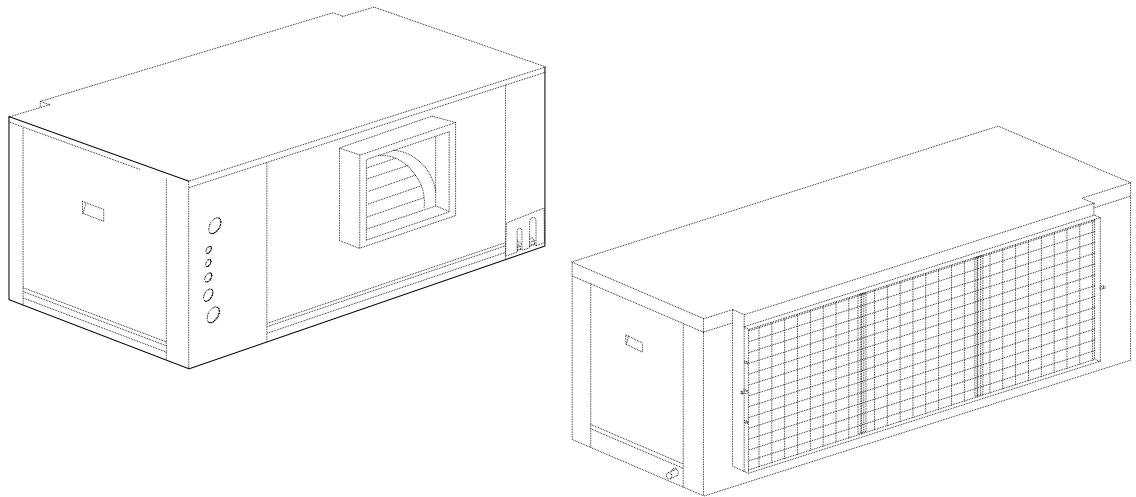


Pos.	Part	25A	40A	45A	60A	75A	90A
1	Damper	378500	378716	378713	378713	369292	369292
2	Side panel	412839	413064	413065	413065	413066	413066
3	UP/DOWN Panel	412883	413070	413071	413071	413072	413072
4	Control support	374265	374265	374265	374265	374265	374265
5	Plastic cover	369894	369894	369894	369894	369894	369894
6	24 Vac modulating motor with spring	371212	371212	371212	371212	371212	371212
7	Motor support	374284	374284	374284	374284	374284	374284
8	YKLON Economiser electronic board	371189	371189	371189	371189	371189	371189
9	Separator DLCBS3-8-01	371281	371281	371281	371281	371281	371281

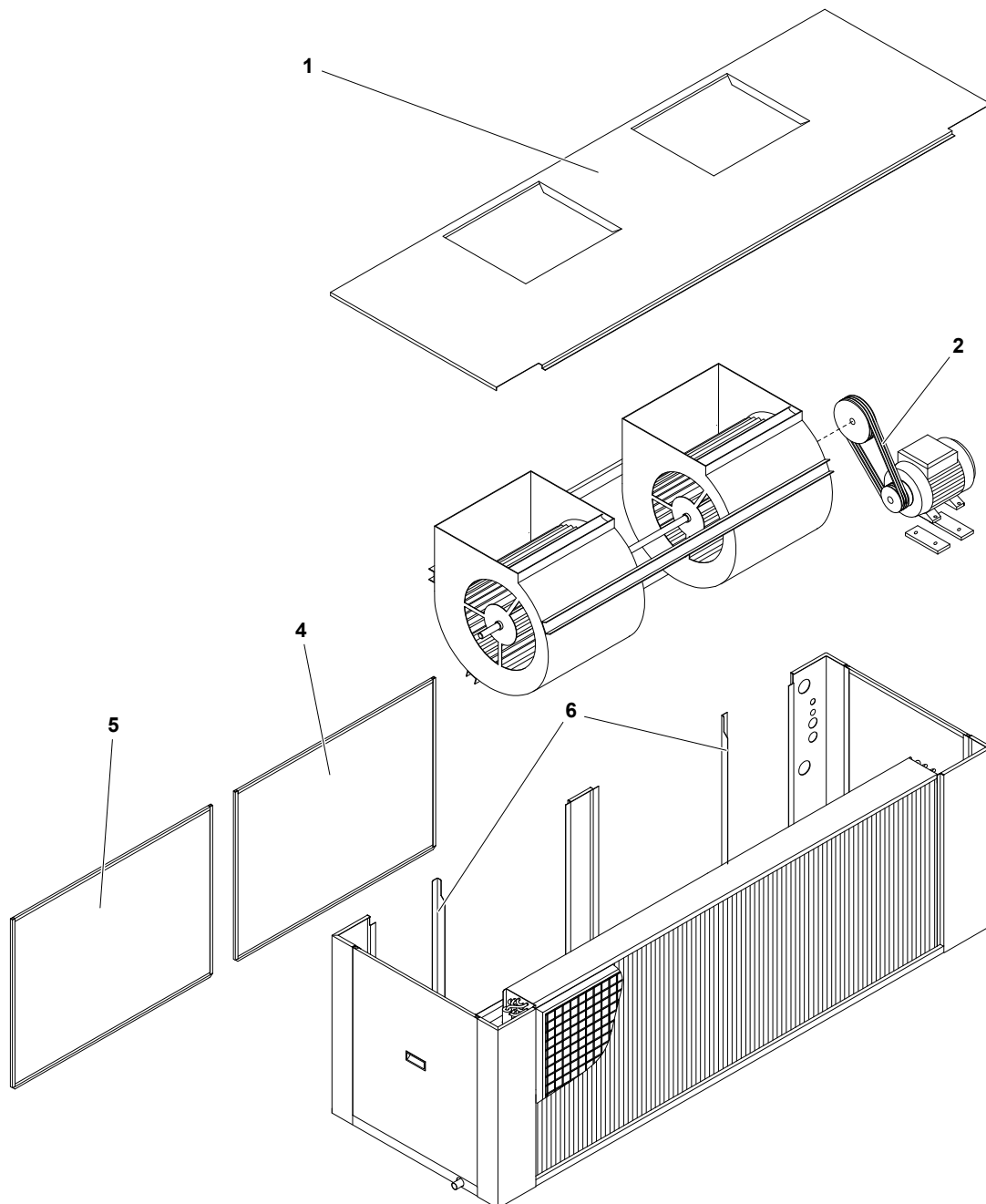
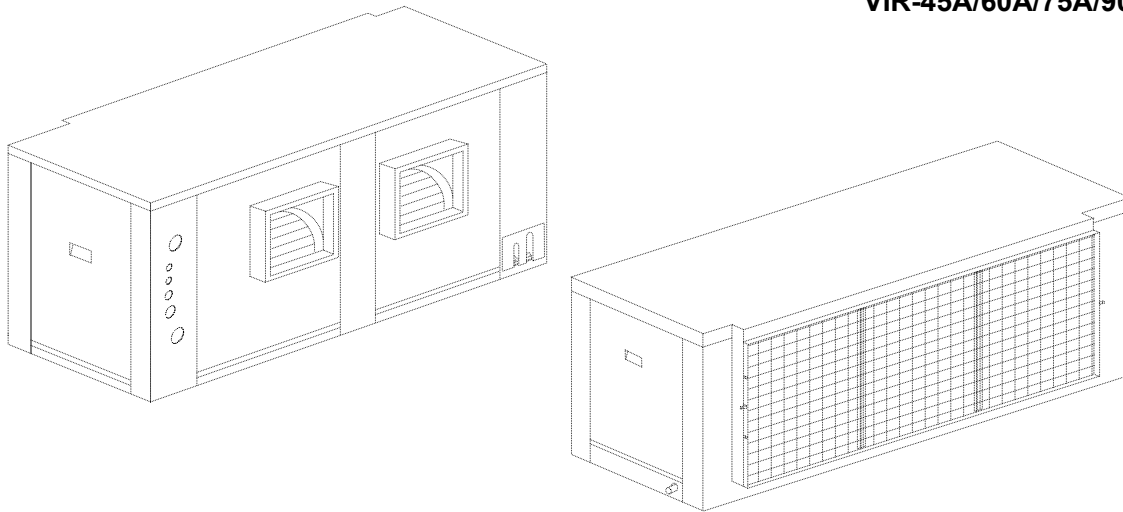
2.4

Vertical outlet transformation kit

VIR-25A



VIR-45A/60A/75A/90A

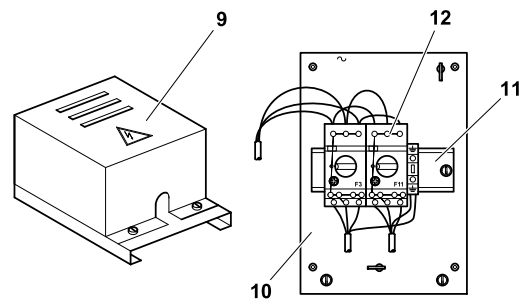
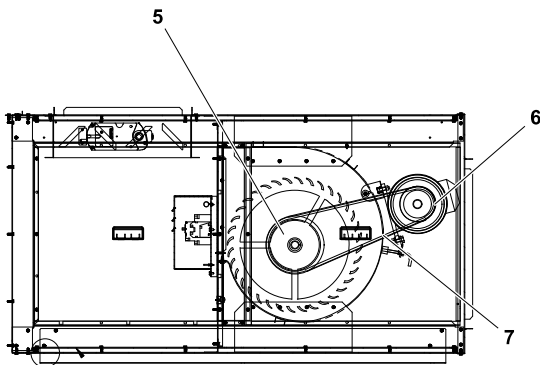
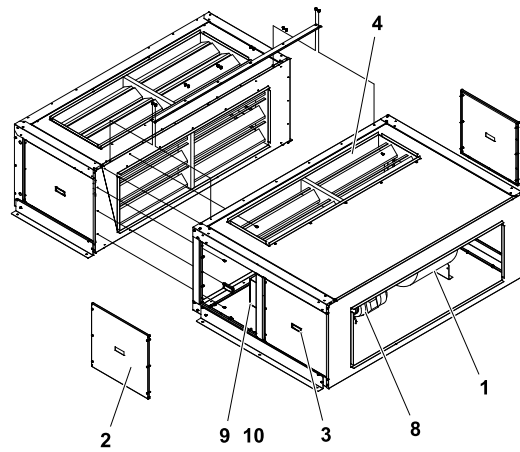
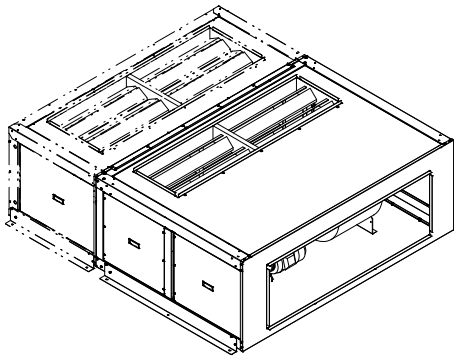


Pos.	Part	25A	40A	45A	60A	75A	90A
1	Upper panel assembly	411706	411877	411747	411747	411733	411733
2	Fan belt	370144	370145	370147	370147	370142	370142
3	Front panel	411730	-	-	-	-	-
4	Left-hand front panel	-	411860	411871	411871	411742	411742
5	Right-hand front panel	-	411859	411720	411720	411740	411740
6	Front fan support	411705	411876	411746	411746	411732	411732

2.5

Return fan

VIR-45A/60A/75A/90A



Pos.	Part	25A	40A	45A	60A	75A	90A
1	CHAYSOL fan	–	–	370079	370079	370096	370096
2	Side panel	–	–	446468	446468	444870	444870
3	Side panel	–	–	446480	446480	445008	445008
4	Damper	–	–	446010	446010	445010	445010
5	Pulley	–	–	390610	390610	390604	390604
6	Pulley	–	–	390596	390596	390603	390603
7	Belt	–	–	370148	370148	370149	370149
8	Motor	–	–	371199	371199	371200	371200
9	Control cover	–	–	450173	450173	450173	450173
10	Control base	–	–	450174	450174	450174	450174
11	PL 77.6881A automatic strip	–	–	434593	434593	434593	434593
12	Motor trip switch	–	–	371091	371091	371092	371092
13	SIEMENS 24 Vac MODUL. motor	–	–	371212	371212	371212	371212
14	3-pole circuit breaker	–	–	371111	371111	371107	371107