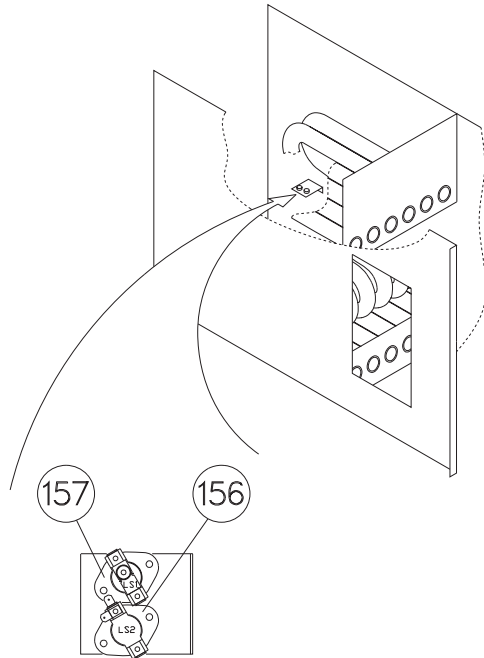


Spare Parts ROOFTOP COOLING+GAS HEATING

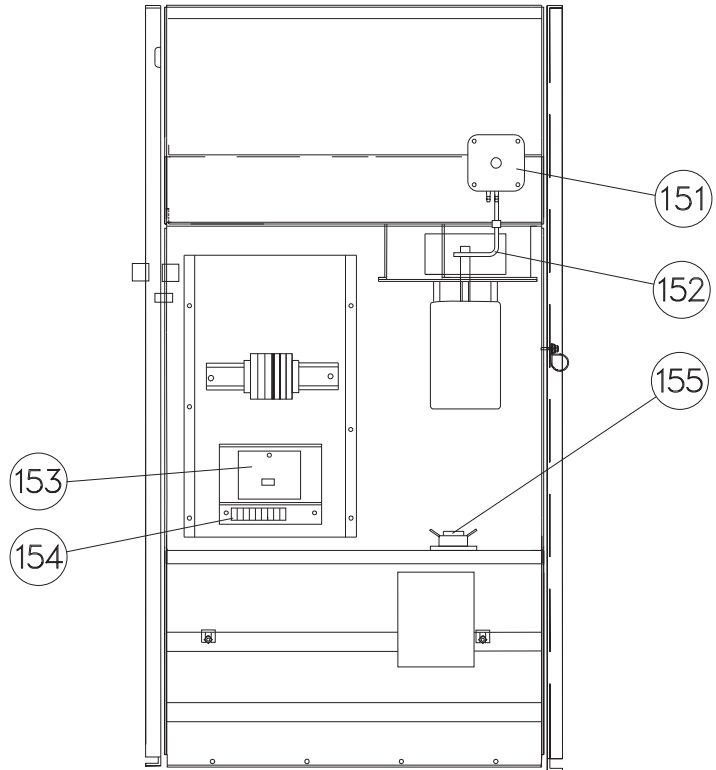
IGNITION GAS CONTROL DIAG. 71.4850A ed.01 (TRF) 180-300



1/1



ASSEMBLY IN SECTION
EXCHANGER



(150) IGNITION GAS CONTROL ASSY

POS	ITEM	DENOMINATION	QUANTITY
			71-4850A ed.01 (TRF) 180-300
150	71-4850A	Gas control assembly	1
151	3762812	Air pressure switch	1
152	3507331	4x7 60D rubber pipe	1
153	6843211	DUNGS ignition gas control	2
154	6843212	Gas connector kit	2
155	025-26366-001	Control, temp. Limit	1
156	025-26366-002	Control, temp. Limit (HL)	1
157	025-30232-000	Manual temperature control	1
158	6745101	Miniature relay	1