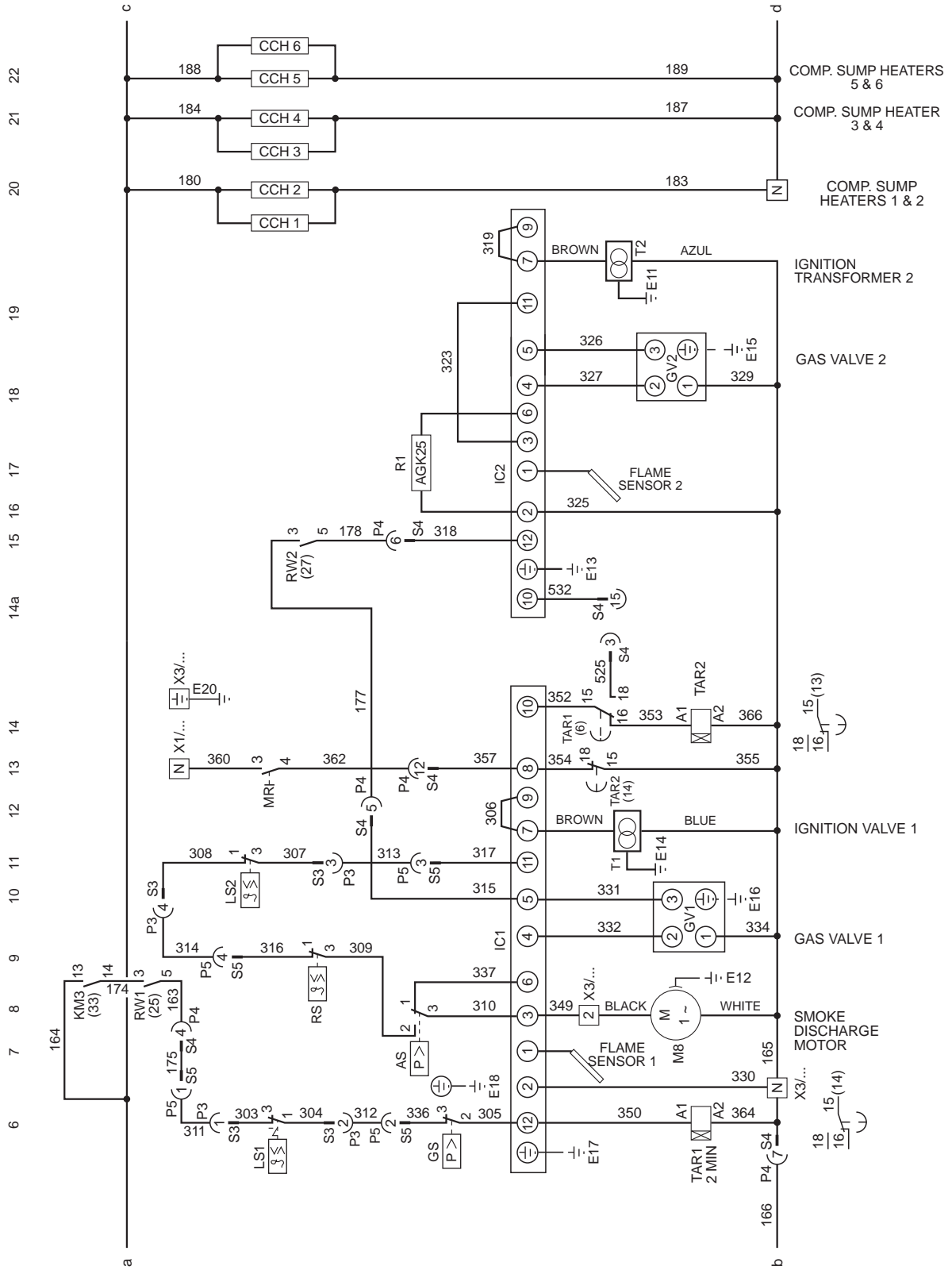


SEE WIRING DATA TABLE FOR SIZING OF AUTOMATIC SWITCH AND POWER SUPPLY LINE SECTION



23 24 25 26 27 28 29 30 31 32 33 34 35 36 37 38 39 40 41 42 43 44 45 46

