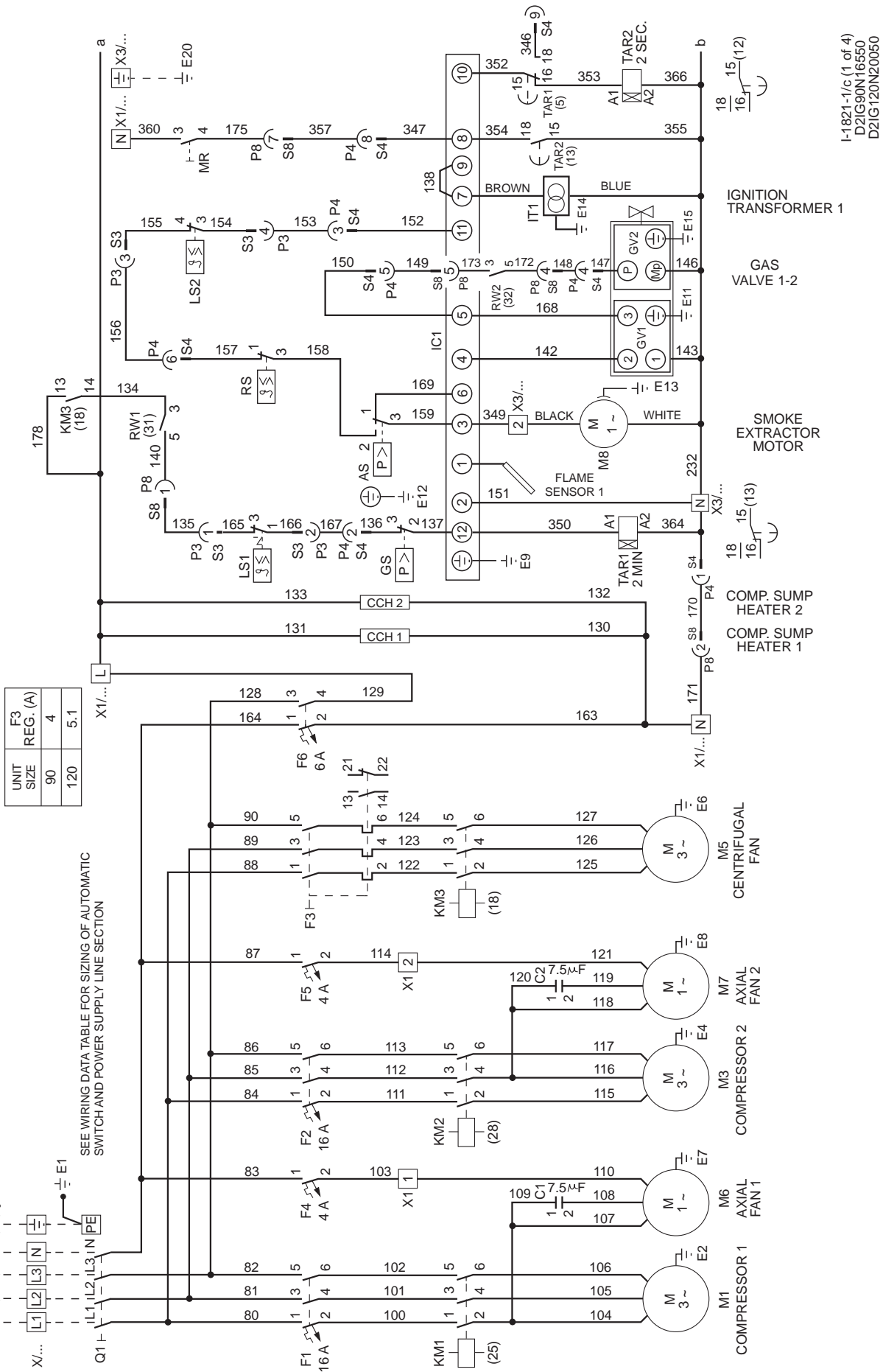


(01) 400V, 3 ~, 50 Hz, N, PE
 (02) X1...
 (03) (04) (05)

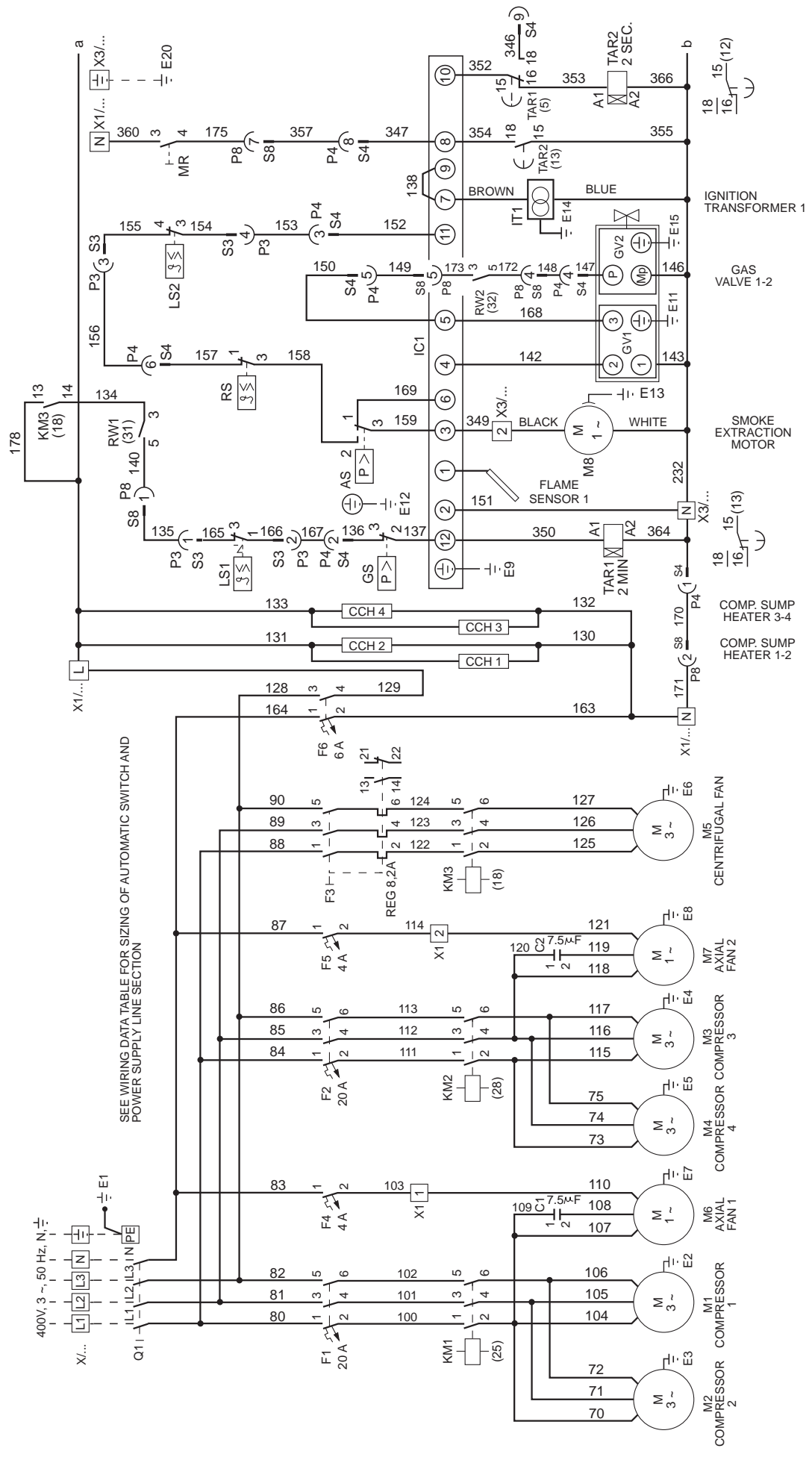
UNIT SIZE	F3 REG. (A)
90	4
120	5.1

SEE WIRING DATA TABLE FOR SIZING OF AUTOMATIC SWITCH AND POWER SUPPLY LINE SECTION

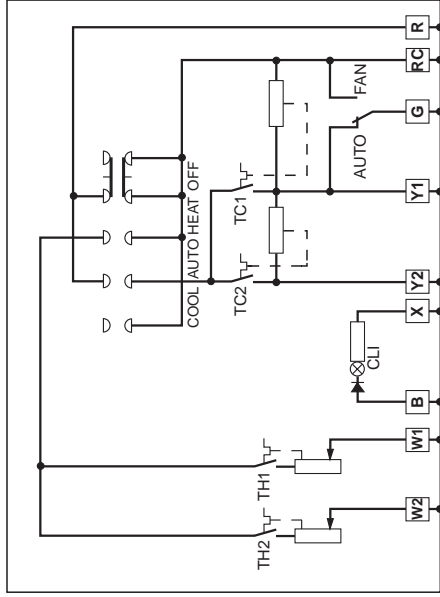


I-1821-1/c (1 of 4)
 D2IG90N16550
 D2IG120N20050

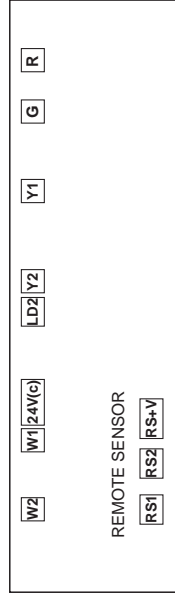
(01) (02) (03) (04) (05) (06) (07) 1 2 3 4 5 6 7 8 9 10 11 12 13



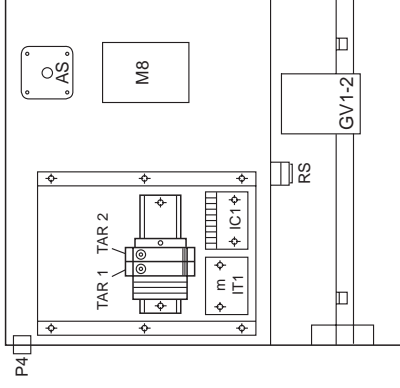
AMBIENT THERMOSTAT



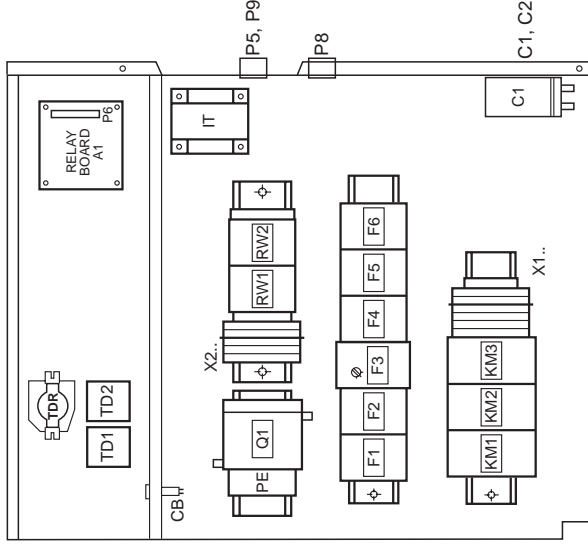
DSL-700 AMBIENT THERMOSTAT



GAS SECTION



CONTROL PANEL

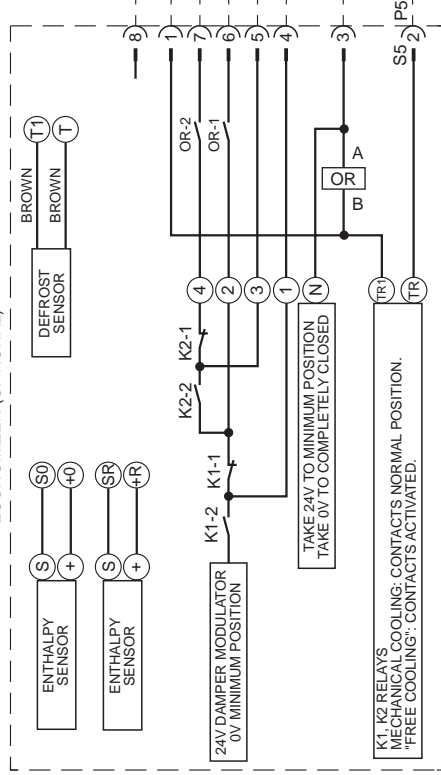


- 1T.- 24-VAC TRANSFORMER
- A1.- 24-VAC THERMOSTAT RELAY PLATE
- AS.- AIR PRESSURE SWITCH
- CB.- 24-VAC CIRCUIT BREAKER
- CCH1 ÷ 2.- SUMP HEATER
- CLI.- COMPRESSOR LOCK-OUT INDICATOR
- F1 and F2.- COMPRESSOR AUTOMATIC SWITCH
- F3.- AUTOMATIC SWITCH, INDOOR FAN
- F4 and F5.- AUTOMATIC SWITCH, OUTDOOR FANS
- F6.- 220-VAC AUTOMATIC SWITCH
- GS.- GAS PRESSURE SWITCH
- GV1-2.- GAS VALVES
- HP1 and HP2.- HIGH PRESSURE CONTROL
- IC1.- GAS CONTROL
- IT1.- IGNITION TRANSFORMER
- KM1 and KM2.- COMPRESSOR CONTACTS
- KM3.- INDOOR FAN CONTACT
- LP1 and LP2.- LOW PRESSURE CONTROL
- LS1.- MANUAL-RESET TEMPERATURE LIMIT
- LS2.- AUTO RESET TEMPERATURE LIMIT
- M8.- SMOKE EVACUATION MOTOR
- OR.- OCCUPIED RELAY

- P3/S3, P4/S4, P8/S8.- GAS CONTROL CONNECTOR
- P5/S5, P12/S12.- ECONOMIZER CONNECTOR
- P6/S6.- RELAY PLATE 24V CONNECTOR
- P9/S9.- COMPRESSOR SAFETY CONNECTOR
- PE.- GROUNDING TERMINAL
- Q1.- MAIN SWITCH
- RS.- GAS TEMPERATURE THERMOSTAT
- RW1 and RW2.- HEAT RELAY
- TAR1.- 2 MIN. GAS RESET TIMER
- TAR2.- 2 SEC. GAS RESET TIMER
- TD1.- 4 s. TIMER
- TD2.- 10 s. TIMER
- TDR.- DELAY RELAY
- X1.- POWER CONNECTING STRIP
- X2.- 24-VAC CONNECTING STRIP

- I-1821-4/c (4 of 4)
- D2IG90N16550
- D2IG120N20050
- D2IG150N20050

ECONOMIZER (OPTIONAL)



K1, K2 RELAYS
MECHANICAL COOLING: CONTACTS NORMAL POSITION.
FREE COOLING: CONTACTS ACTIVATED.